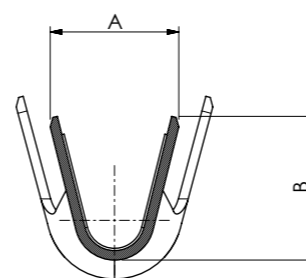
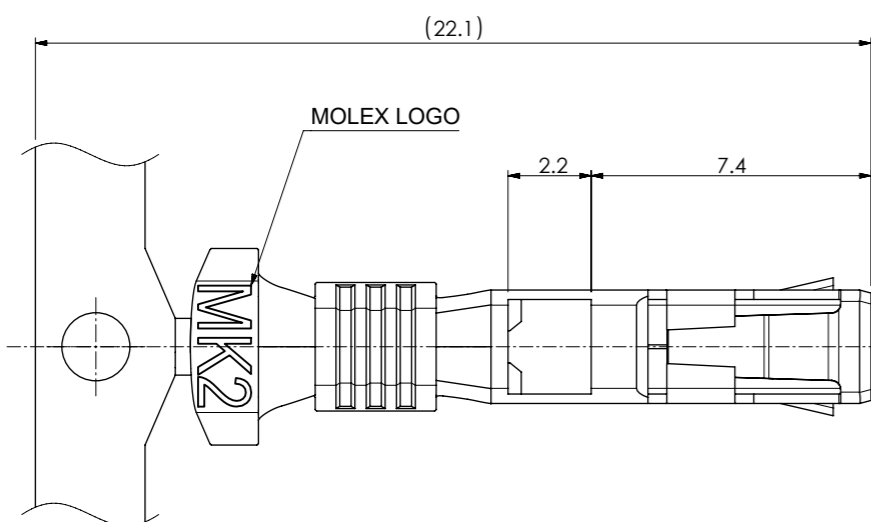
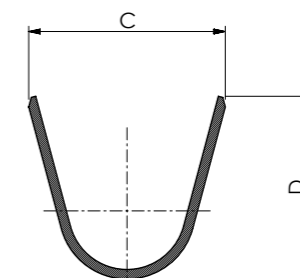


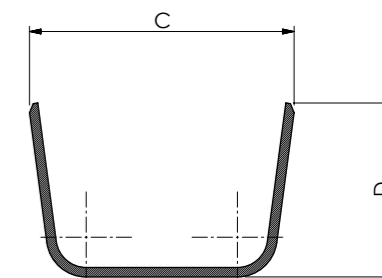
- NOTE.**
1. MATERIAL : COPPER ALLOY
 2. FINISH : PRE-TIN PLATED
0.8 MICROMETER MIN. TIN PLATING
 3. RECOMMENDED WIRE : SEE THE TABLE
 4. PRODUCT SPECIFICATION : 2173470000PS
 5. PACKAGING SPECIFICATION : 2173478000PK
 6. MATES WITH : 217348 SERIES



SECTION Y-Y
(Scale 5/1)



217348-8000/8100
SECTION Z-Z
(Scale 5/1)



217348-8200
SECTION Z-Z
(Scale 5/1)

[TABLE]

PART NO.	APPLICABLE WIRE (UL3321)	A	B	C	D	P
217348-8000	#14~18	3.4	3.8	5.2	4.8	12.00
217348-8100	#20~22	2.7	2.6	4.2	4.0	10.60
217348-8200	#18+18, #18+20, #20+20	3.88	3.45	7.0	4.6	15.00

FUNCTIONAL SYMBOLS FA = 0 FE = 0 FP = 0	THIS DRAWING CONTAINS INFORMATION THAT IS PROPRIETARY TO MOLEX ELECTRONIC TECHNOLOGIES, LLC AND SHOULD NOT BE USED WITHOUT WRITTEN PERMISSION	CURRENT REV DESC:				
	DIMENSION UNITS: mm	SCALE: 5:1	GENERAL TOLERANCES (UNLESS SPECIFIED)			
DIVISIONAL SYMBOLS	ANGULAR TOL ± 3.0°		EC NO: 730020		2022/03/17	
	4 PLACES ±	DRWN: SCHONG03		2022/11/29		
	3 PLACES ±	CHK'D: JDPARK01		2021/10/28		
	2 PLACES ± 0.3	APPR: JBJIN		2022/12/02		
1 PLACE ± 0.3	INITIAL REVISION:		DRWN: SCHONG03		2021/05/24	
0 PLACES ±	DRAFT WHERE APPLICABLE MUST REMAIN WITHIN DIMENSIONS		APPR: JBJIN		2021/10/28	
THIRD ANGLE PROJECTION		DRAWING: A3-SIZE	SERIES: 217348	DOCUMENT NUMBER: 2173488000	DOC TYPE: PSD	DOC PART: 000
				CUSTOMER:	REVISION: B	
				SHEET NUMBER: 1 OF 1		