

Product data sheet

Specifications



Limit switch, 9007, 600 V 10amp c +options

9007C54B2

Main

Range of product	9007
Series name	Heavy duty
Product or component type	Limit switch
Product specific application	Standard box
Device short name	9007C
Body type	Plug-in
Head type	Rotary head
Material	Metal
Fixing mode	By the body
Movement of operating head	Rotary
Type of operator	Zinc spring return without operating lever (-)9007C lever
Switch actuation	CW and CCW From left and right
Type of approach	Lateral approach, 1 or 2 programmable direction
Electrical connection	Screw-clamp terminals (AWG 22...AWG 12), 1...2
Cable entry	1 entry for 1/2" - 14 NPT conforming to ANSI B1.20.1
Number of poles	1
Contacts type and composition	NC-NO
Contact operation	Snap action
Positive opening	Without
Sale per indivisible quantity	1

Complementary

Body material	Zinc
Head material	Zinc
Function available	-
Switch function	SPDT-DB
Contact form	Form Z
Contacts material	Silver contacts
Terminals description ISO n°1	(3-4)NO

(1-2)NC

Maximum actuation speed	90 ft/min with 45° cam angle, levers only 130 ft/min with 30° cam angle, levers only
Tripping angle	10 °
Maximum displacement angle	90 °
Repeat accuracy	+/- 0.002 in linear travel of cam
[Ie] rated operational current	1.2 A at 600 V AC, A600 conforming to NEMA 0.1 A at 600 V DC, Q600 conforming to NEMA
[Ithe] conventional enclosed thermal current	10 A
[Ui] rated insulation voltage	600 V (pollution degree 3) conforming to UL 508 for contact block 600 V (pollution degree 3) conforming to CSA C22.2 No 14 for contact block
[Uimp] rated impulse withstand voltage	2.5 kV AC 1 min conforming to CE 2.2 kV AC 1 min conforming to UL 2.64 kV AC 1 s conforming to CSA
Short-circuit protection	10 A by CC fuse, protection type: non-time delay
Electrical durability	1000000 cycles
Local signalling	without
Mechanical durability	10000000 cycles
Width	39.37 mm
Height	102.11 mm
Depth	63.50 mm
Product weight	0.57 kg

Environment

Shock resistance	60 gn for 9 ms conforming to IEC 60068-2-27
Vibration resistance	25 gn (f= 10...150 Hz) conforming to IEC 60068-2-6
NEMA degree of protection	NEMA 1 conforming to Nema type 250 NEMA 2 conforming to Nema type 250 NEMA 4 conforming to Nema type 250 NEMA 6 conforming to Nema type 250 NEMA 6P conforming to Nema type 250 NEMA 12 conforming to Nema type 250 NEMA 13 conforming to Nema type 250
IP degree of protection	IP67 conforming to IEC 60529
Electrical shock protection class	Class 0 conforming to IEC 61140
Ambient air temperature for operation	-29...85 °C for standard environment
Ambient air temperature for storage	-29...85 °C
Environmental characteristic	Standard environment
Protective treatment	Epoxy powder coat

Packing Units

Unit Type of Package 1	PCE
Number of Units in Package 1	1
Package 1 Height	4.32 cm
Package 1 Width	6.86 cm
Package 1 Length	10.67 cm
Package 1 Weight	567 g

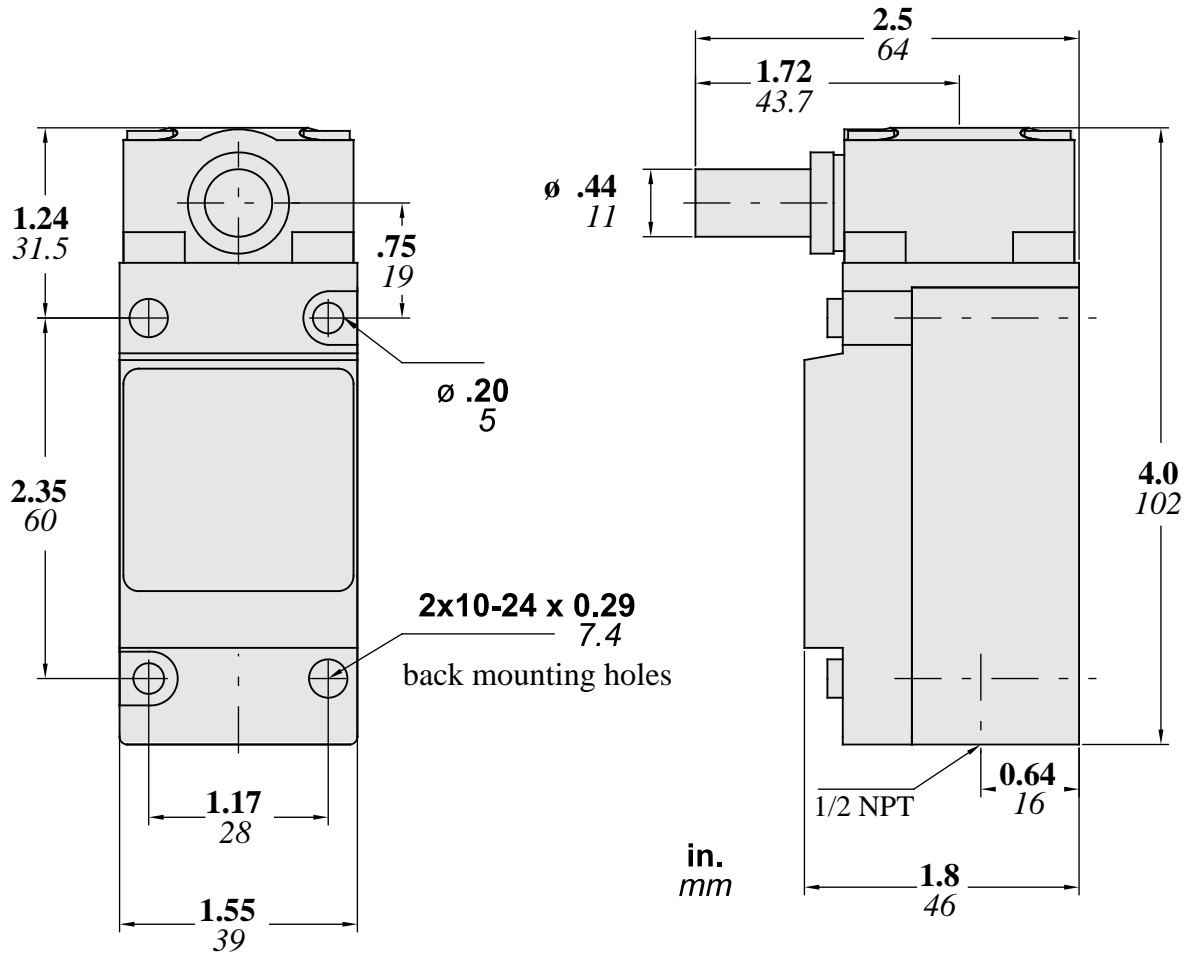
Offer Sustainability

Sustainable offer status	Green Premium product
REACH Regulation	REACH Declaration
EU RoHS Directive	Pro-active compliance (Product out of EU RoHS legal scope) EU RoHS Declaration
Mercury free	Yes
RoHS exemption information	Yes
Environmental Disclosure	Product Environmental Profile
California proposition 65	WARNING: This product can expose you to chemicals including: Diisononyl phthalate (DINP), which is known to the State of California to cause cancer, and Di-isodecyl phthalate (DIDP), which is known to the State of California to cause birth defects or other reproductive harm. For more information go to www.P65Warnings.ca.gov

Contractual warranty

Warranty	18 months
----------	-----------

Dimensions



Recommended replacement(s)