

Blanking plug

WJ-DM xx-VPA

Blanking plug

Polyamide PA6 GF30

Properties

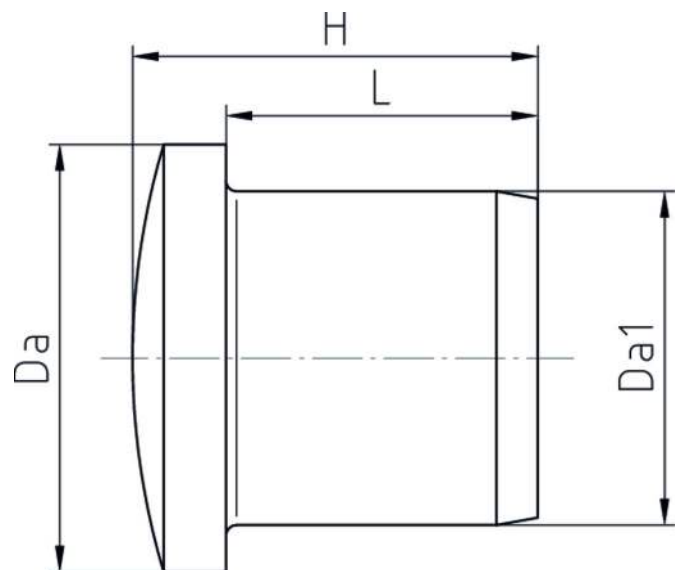
Temperature range

-40 °C
+100 °C

Comment

choose the corresponding blanking plug so, that Da1 is at most 1mm smaller than ØCmax .

- single part for use in combination with PERFECT cable gland



Features



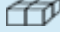
RAL 9005

L	H	Da	Da1	Size	VPE	Part No.
9	12,5	10	5,5	M12	50	WJ-DM 12-VPA/SW
12	16	13,5	9,5	M16	50	WJ-DM 16-VPA/SW
12	16,5	16,5	12	M20	50	WJ-DM 20-VPA/SW
15	19,5	20,5	16	M25	50	WJ-DM 25-VPA/SW



RAL 7035

L	H	Da	Da1	Size	VPE	Part No.
9	12,5	10	5,5	M12	50	WJ-DM 12-VPA
12	16	13,5	9,5	M16	50	WJ-DM 16-VPA
14	18	13,5	9,0	M16	50	WJ-DM 16-1-VPA

L	H	Da	Da1	Size	 VPE	Part No.
12	16,5	16,5	12	M20	50	WJ-DM 20-VPA
15	19,5	20,5	16	M25	50	WJ-DM 25-VPA
17	21,5	24,5	20	M32	25	WJ-DM 32-VPA
20	24	32	27	M40	10	WJ-DM 40-VPA
25	29	39	35	M50	5	WJ-DM 50-VPA
25	29	52	42	M63	5	WJ-DM 63-VPA