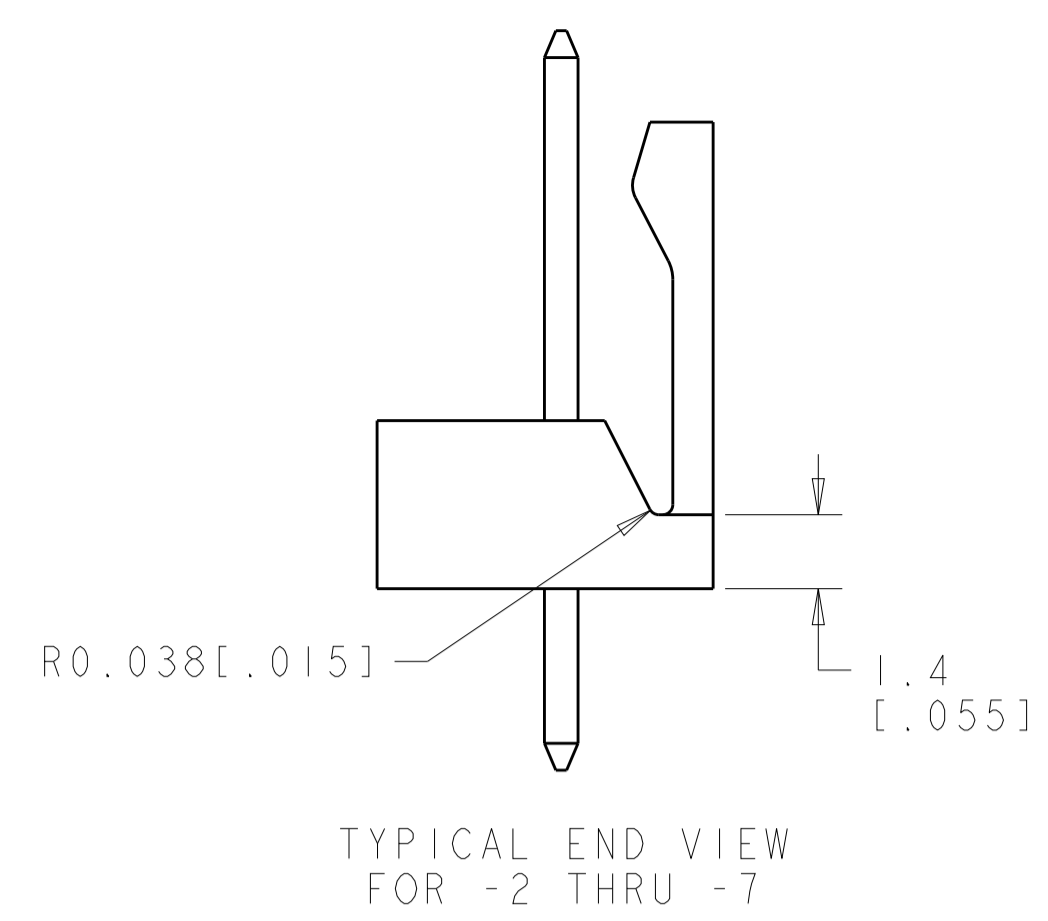
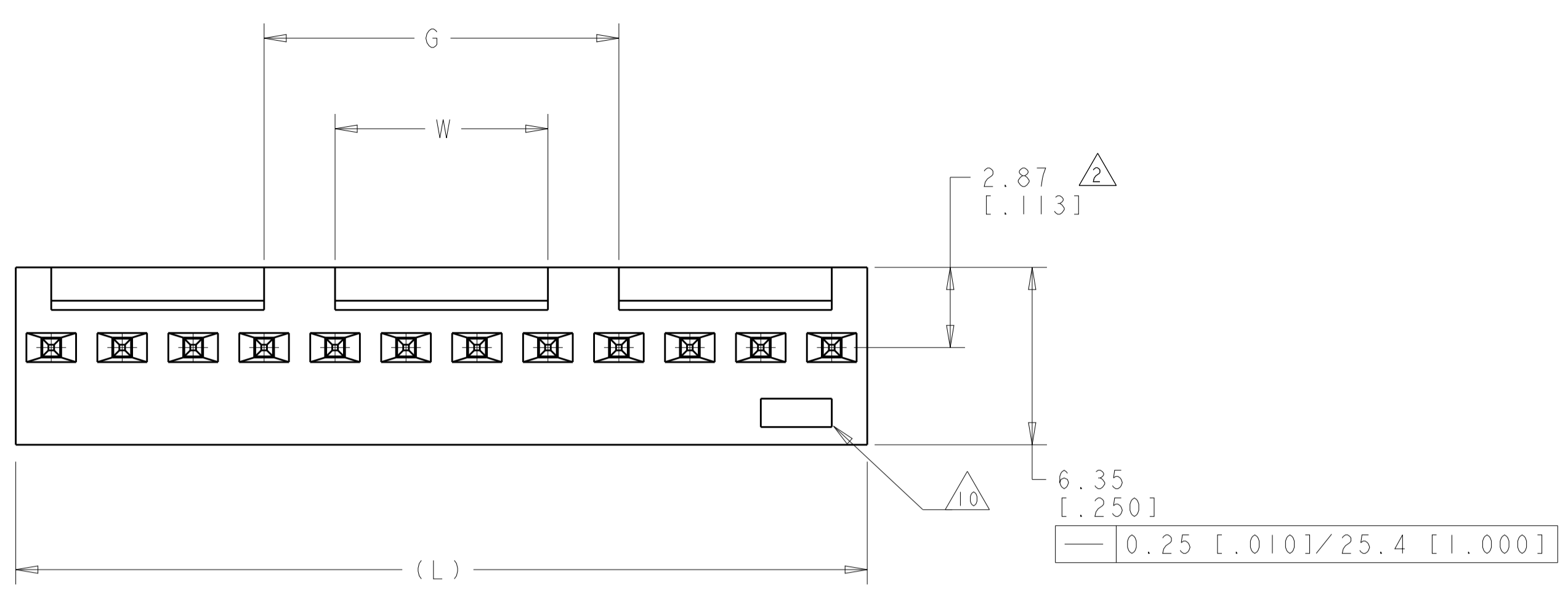
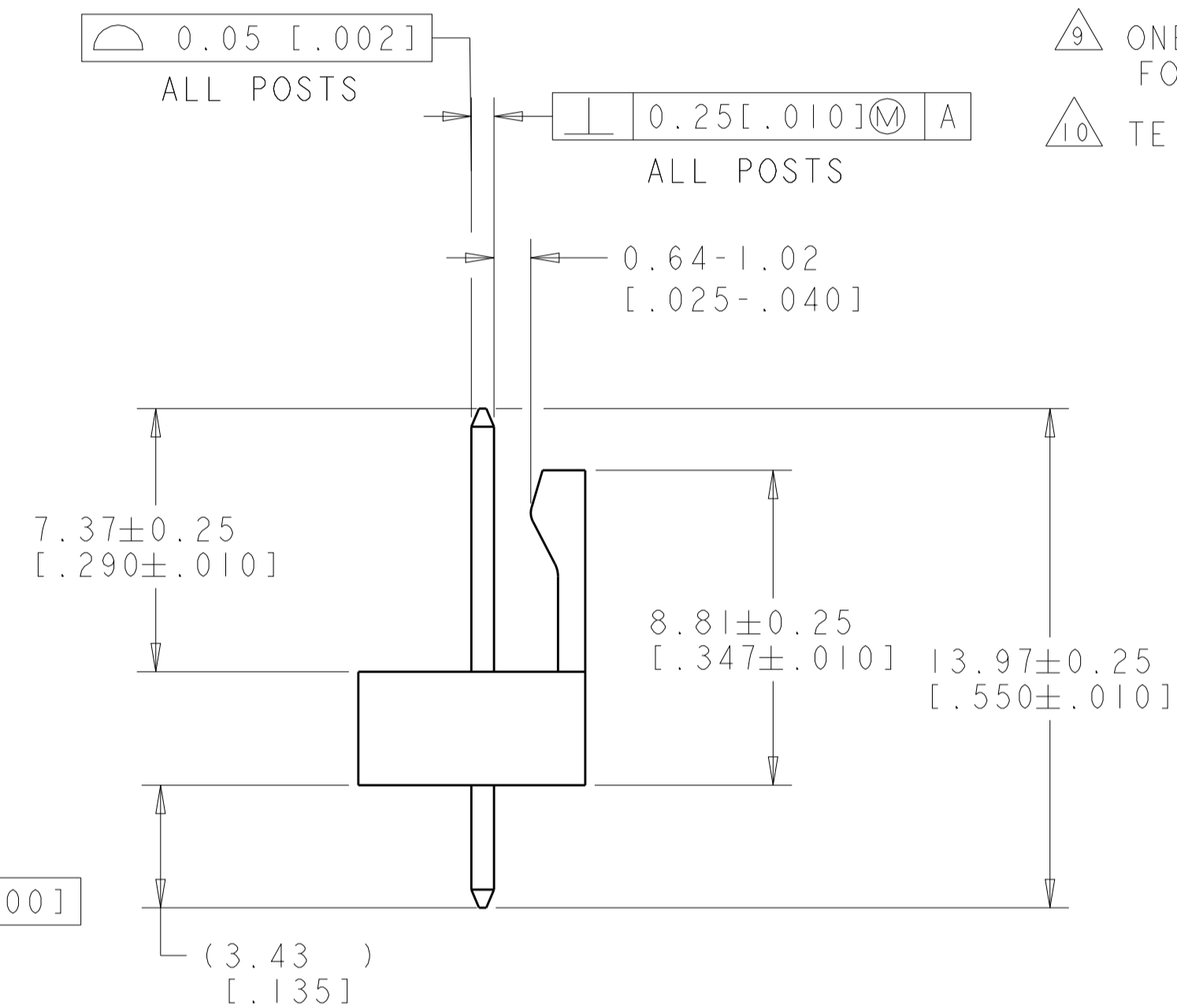
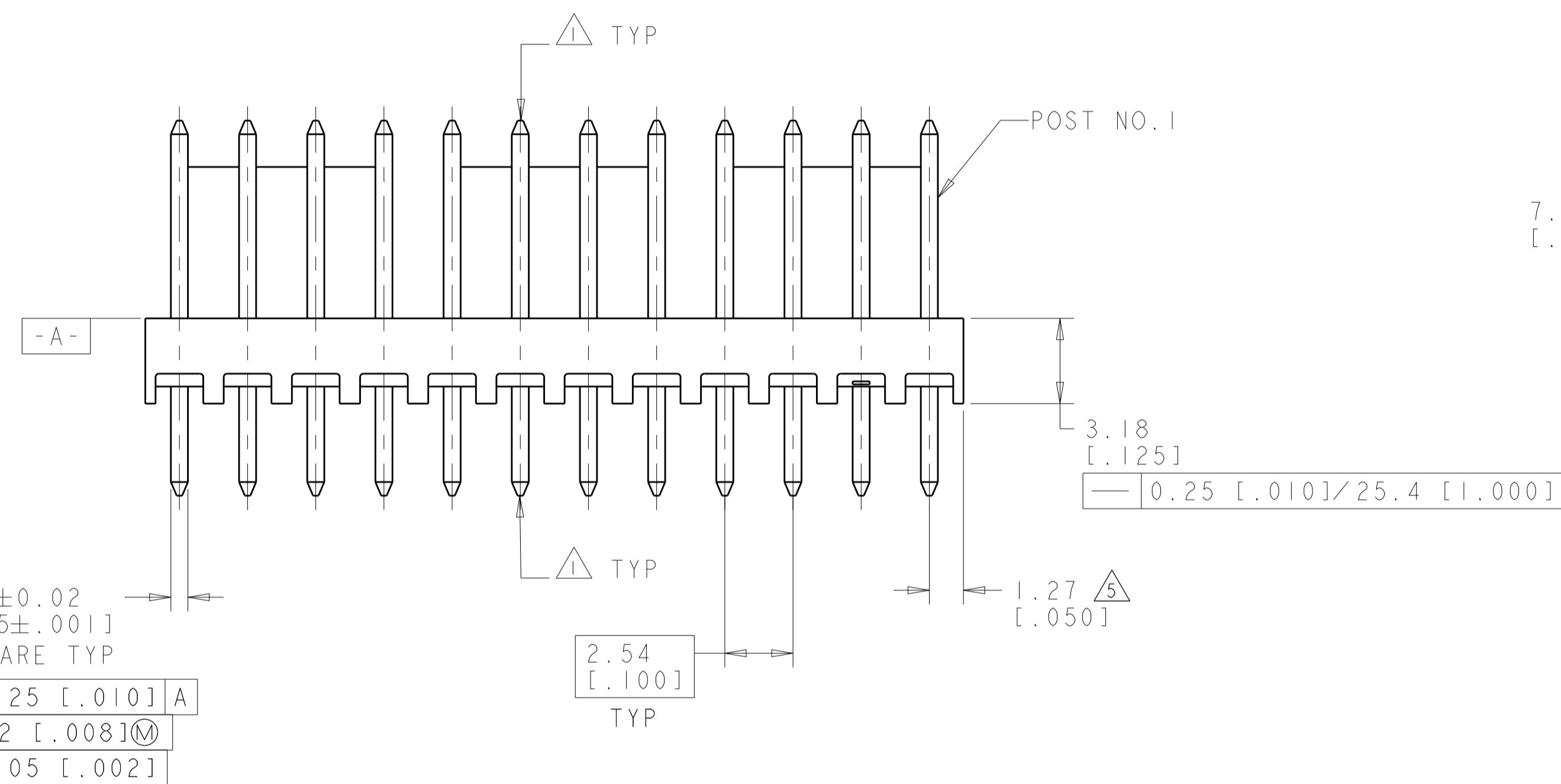


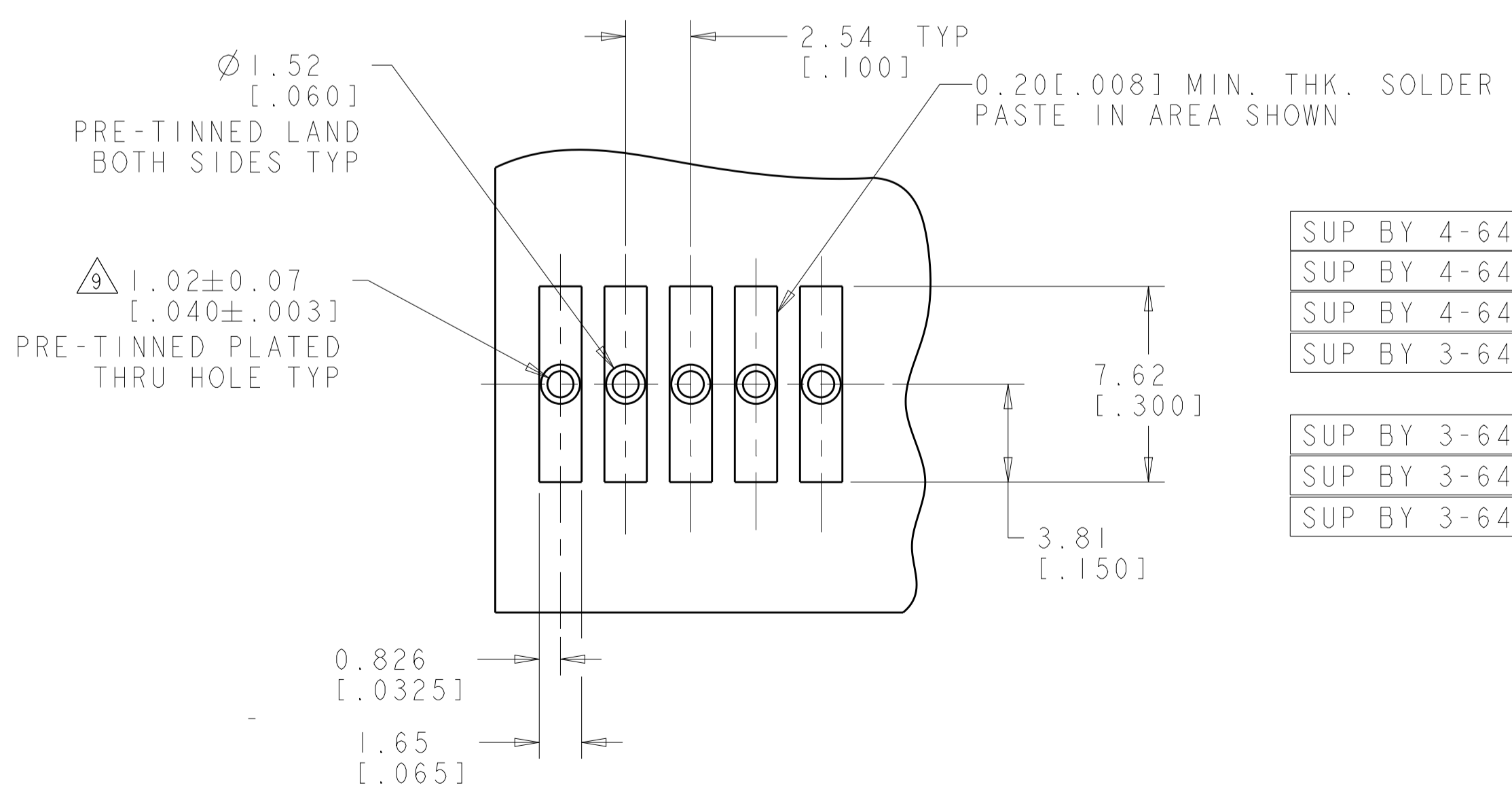
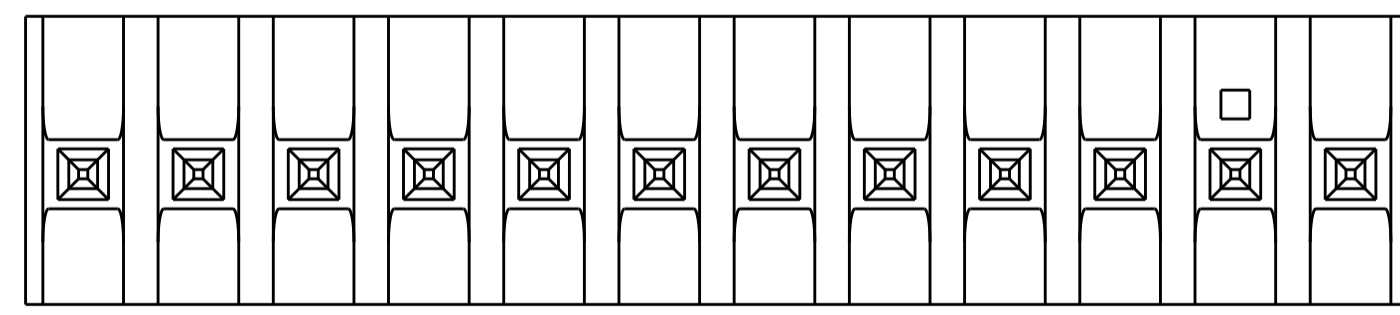
| LOC | DIST | REVISIONS | | | | | |
|-----|------|-----------|-----|---------------------------|-----------|-----|------|
| | | P | LTN | DESCRIPTION | DATE | DWN | APVD |
| CM | 00 | T | | REVISED PER ECO-13-008064 | 13MAY2013 | DZ | YHM |



- △ POST WITHSTAND 13 NEWTONS (3 LBS) MIN AXIAL FORCE IN DIRECTION SHOWN WITHOUT DISLODGING.
- △ MEASURED AT -A-.
- 3. PARTS COMPLY WITH SOLDERABILITY SPEC 109-11-2/12.
- △ MATERIAL: HOUSING: NYLON, 4/6, HIGH TEMP, BLACK.
POST -2 THRU -12 COPPER ALLOY BRIGHT TIN-LEAD 0.00305 [0.000120] MIN THICK.
POST -32 THRU -42 COPPER ALLOY MATTE TIN 0.00305 [0.000120] MIN THICK.
- △ COORDINATE DIMENSION APPLIES FROM CENTER OF ACTUAL FEATURE.
- △ POSTS TO BE MEASURED WHEN STRIP HELD FLAT.
- 7. DIMENSIONS IN BRACKETS ARE IN INCHES.
- △ TOLERANCES APPLY TO SOLDER SIDE OF BOARD.
- △ ONE HOLE MAY BE UNDERSIZED 0.81-0.89 [0.032-.035] DIAMETER FOR ASSEMBLY RETENTION DURING PROCESSING.
- △ TE LOGO, UL, AND CSA TRADEMARKS TO APPEAR ON THIS SURFACE.



| | |
|-----|------------------------------------|
| △ 2 | 0.64±0.02 [0.025±0.001] SQUARE TYP |
| △ 2 | 0.25 [0.010] A |
| △ 6 | 0.2 [0.008] M |
| △ | 0.05 [0.002] |



RECOMMENDED MOUNTING HOLE PATTERN △ FOR 1.57±0.20 [0.062±0.008] THICK P.C. BOARD

| | | | | |
|---------------|---------------|---------------|------------|------------|
| 7.62 [0.300] | 12.70 [0.500] | 30.48 [1.200] | 12 | 4-647050-2 |
| - | 10.16 [0.400] | 27.94 [1.100] | 11 | 4-647050-1 |
| - | 7.62 [0.300] | 25.40 [1.000] | 10 | 4-647050-0 |
| - | 5.08 [0.200] | 22.86 [0.900] | 9 | 3-647050-9 |
| - | 2.54 [0.100] | 20.32 [0.800] | 8 | 3-647050-8 |
| - | - | 17.78 [0.700] | 7 | 3-647050-7 |
| - | - | 15.24 [0.600] | 6 | 3-647050-6 |
| - | - | 12.70 [0.500] | 5 | 3-647050-5 |
| - | - | 10.16 [0.400] | 4 | 3-647050-4 |
| - | - | 7.62 [0.300] | 3 | 3-647050-3 |
| - | - | 5.08 [0.200] | 2 | 3-647050-2 |
| 12.70 [0.500] | 17.78 [0.700] | 35.56 [1.400] | 14 | 1-647050-4 |
| 7.62 [0.300] | 12.70 [0.500] | 30.48 [1.200] | 12 | 1-647050-2 |
| - | 10.16 [0.400] | 27.94 [1.100] | 11 | 1-647050-1 |
| - | 7.62 [0.300] | 25.40 [1.000] | 10 | 1-647050-0 |
| - | 5.08 [0.200] | 22.86 [0.900] | 9 | 647050-9 |
| - | 2.54 [0.100] | 20.32 [0.800] | 8 | 647050-8 |
| - | - | 17.78 [0.700] | 7 | 647050-7 |
| - | - | 15.24 [0.600] | 6 | 647050-6 |
| - | - | 12.70 [0.500] | 5 | 647050-5 |
| - | - | 10.16 [0.400] | 4 | 647050-4 |
| - | - | 7.62 [0.300] | 3 | 647050-3 |
| - | - | 5.08 [0.200] | 2 | 647050-2 |
| W | G | L | NO OF POSN | PART NO |

| | | | | | |
|-------------------|--------------|---------------|---------------|----|------------|
| SUP BY 4-647050-2 | 7.62 [0.300] | 12.70 [0.500] | 30.48 [1.200] | 12 | 1-647050-2 |
| SUP BY 4-647050-1 | - | 10.16 [0.400] | 27.94 [1.100] | 11 | 1-647050-1 |
| SUP BY 4-647050-0 | - | 7.62 [0.300] | 25.40 [1.000] | 10 | 1-647050-0 |
| SUP BY 3-647050-9 | - | 5.08 [0.200] | 22.86 [0.900] | 9 | 647050-9 |
| - | - | 2.54 [0.100] | 20.32 [0.800] | 8 | 647050-8 |
| SUP BY 3-647050-7 | - | - | 17.78 [0.700] | 7 | 647050-7 |
| SUP BY 3-647050-6 | - | - | 15.24 [0.600] | 6 | 647050-6 |
| SUP BY 3-647050-5 | - | - | 12.70 [0.500] | 5 | 647050-5 |
| - | - | - | 10.16 [0.400] | 4 | 647050-4 |
| - | - | - | 7.62 [0.300] | 3 | 647050-3 |
| - | - | - | 5.08 [0.200] | 2 | 647050-2 |

THIS DRAWING IS A CONTROLLED DOCUMENT. DWN: R. WHITAKER 01NOV2001, CHK: D. BOSSI 01NOV2001, APVD: D. BOSSI 01NOV2001

DIMENSIONS: mm [INCHES]

TOLERANCES UNLESS OTHERWISE SPECIFIED:

| | |
|--------|----------------|
| 0 PLC | ± |
| 1 PLC | ±0.131 [0.005] |
| 2 PLC | ± |
| 3 PLC | ± |
| 4 PLC | ± |
| ANGLES | ±0°30' |
| FINISH | △ |

MATERIAL: △

SCALE: NA SHEET 1 OF 1 REV T

TE Connectivity

MTA-100 HEADER ASSY, HIGH TEMPERATURE FRICTION LOCK, .025 SQUARE, STRAIGHT POST, TIN OR TIN LEAD

SIZE: A1 CAGE CODE: 647050 DRAWING NO: 100779 ©=647050