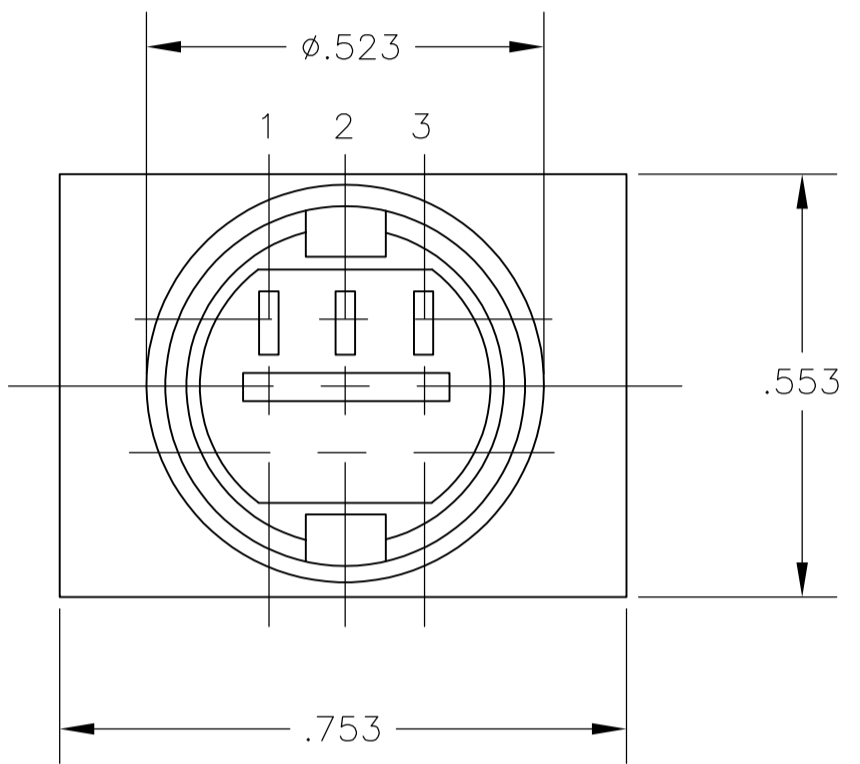
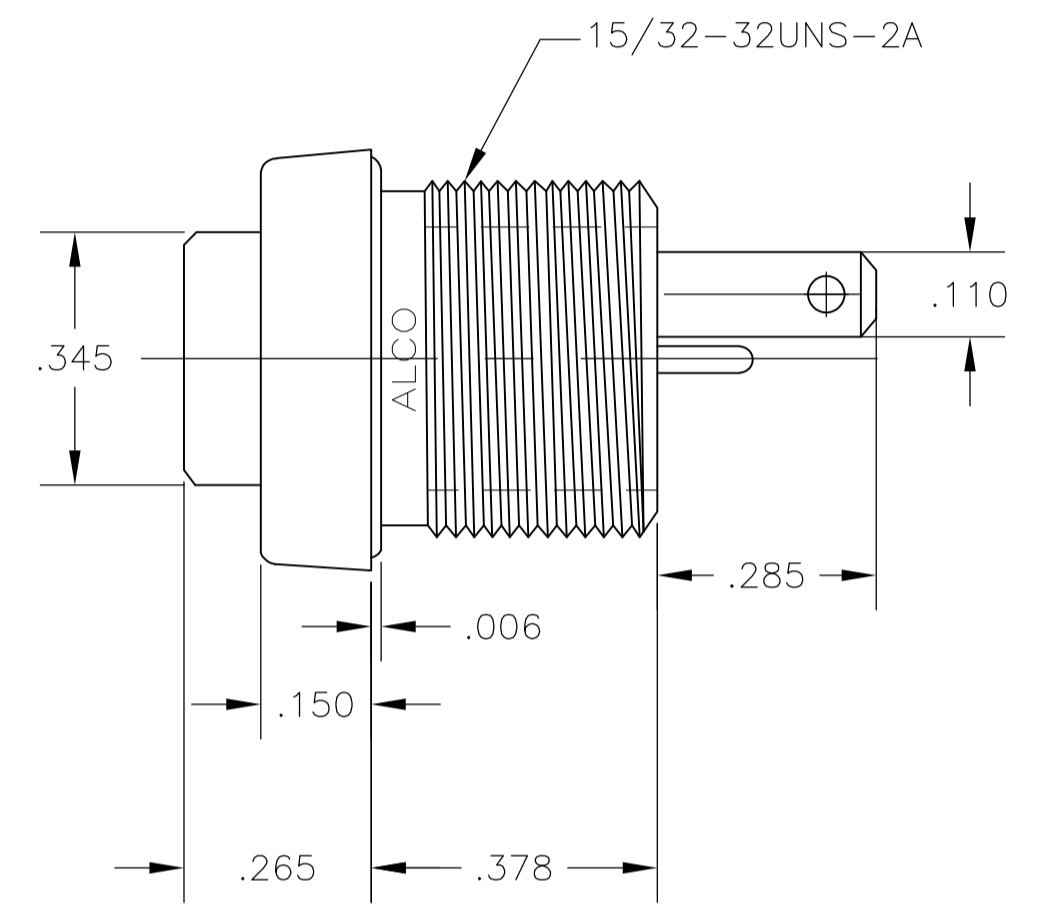
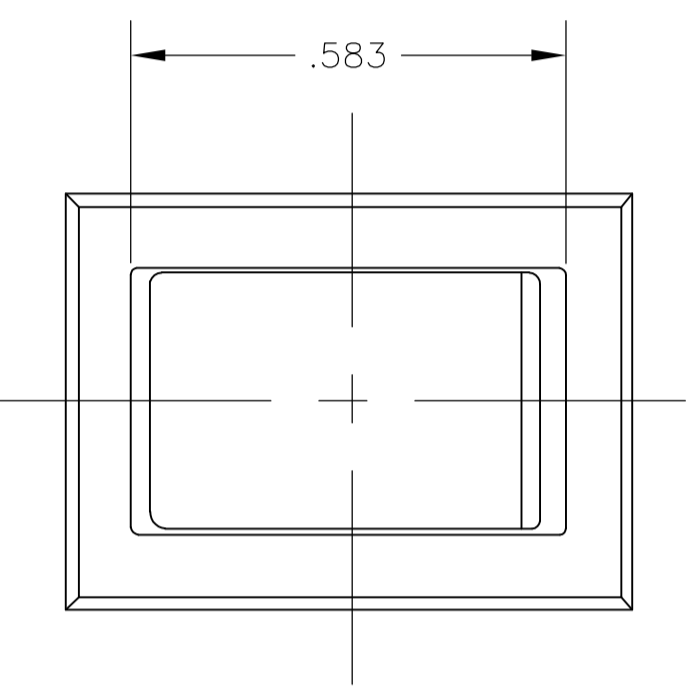
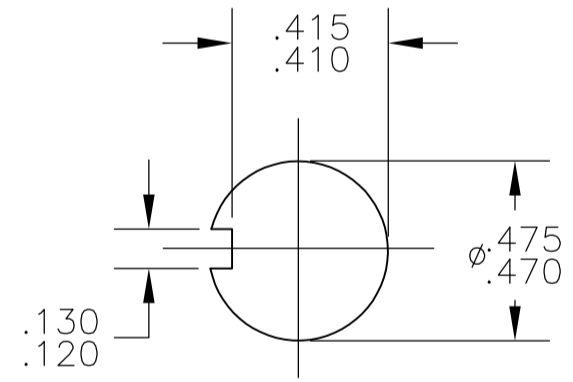
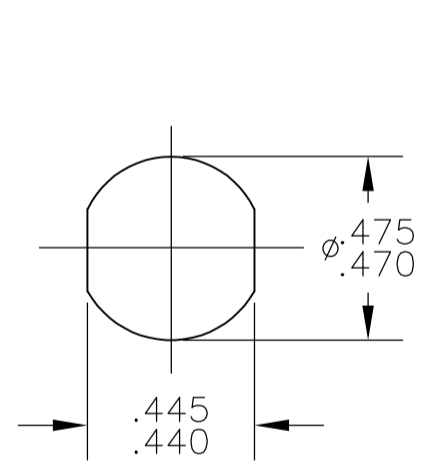


- NOTES:
1. ALL MATERIALS AND FINISHES COMPLY WITH EU DIRECTIVE 2002 /95 /EC OF 27JAN2003 (RoHS).
 2. TERMINAL NUMBERS ARE FOR REFERENCE ONLY AND DO NOT APPEAR ON THE SWITCHES.
 3. MOUNTING HARDWARE: (1) HEX NUT AND (1) INTERNAL TOOTH LOCKWASHER SUPPLIED WITH SWITCH.



| MATERIAL CHART | | |
|---------------------------------|-------------------------|--------------------|
| COMPONENT NAME | BASE MATERIAL | FINISH |
| CASE | PPO, BLACK, UL94-HB | |
| SPRING | MUSIC WIRE | |
| SPRING, F FUNCTION | MUSIC WIRE | |
| INSULATOR | POLYETHERIMIDE, NATURAL | |
| TERMINAL, END, D FUNCTION | SILVER CLAD COPPER | SILVER OVER NICKEL |
| TERMINAL, CENTER, D FUNCTION | BRASS | SILVER OVER NICKEL |
| TERMINAL, END, HIGH, F FUNCTION | SILVER CLAD COPPER | SILVER OVER NICKEL |
| TERMINAL, END, LOW, F FUNCTION | BRASS | SILVER OVER NICKEL |
| TERMINAL, CENTER, F FUNCTION | SILVER CLAD COPPER | SILVER OVER NICKEL |
| ROCKER CONTACT | SILVER CLAD COPPER | |
| NUT | BRASS | NICKEL |
| LOCKWASHER | STAINLESS STEEL | |
| TERMINAL SEAL | ACRYLIC RESIN | |

| SPECIFICATION CHART | |
|---------------------------------|-----------------------------------|
| RATING | 3A @ 125 VAC OR 28 VDC, RESISTIVE |
| INITIAL CONTACT RESISTANCE | 20 MILLIOHMS MAX. |
| INSULATION RESISTANCE | 1,000 MEGAOHMS MIN @ 500 VDC |
| DIELECTRIC WITHSTANDING VOLTAGE | 500 V RMS AT SEA LEVEL |
| ELECTRICAL LIFE, 2 POSITION | 80,000 CYCLES |
| ELECTRICAL LIFE, 3 POSITION | 10,000 CYCLES |
| MECHANICAL LIFE, 2 POSITION | 100,000 CYCLES |
| MECHANICAL LIFE, 3 POSITION | 50,000 CYCLES |
| OPERATING TEMPERATURE | -20°C TO +80°C |
| STORAGE TEMPERATURE | -45°C TO +95°C |



PANEL CUTOUTS
SCALE 2:1

| FUNCTION CHART | | | | | | | |
|---------------------|--------------|------|--------|--------|------|------|-----|
| PART NUMBER | ALCO P/N | POLE | THROWS | RATING | | | |
| 1825422-1 | TRD13D10QC04 | 1 | 2 | 3A | ON | NONE | ON |
| 1825422-2 | TRD13F10QC04 | 1 | 2 | 3A | (ON) | NONE | ON |
| TERMINALS CONNECTED | | | | | 2-1 | - | 2-3 |

NONE: NO MECHANICAL POSITION
 OFF: MECHANICAL POSITION WITH NO ELECTRICAL CONNECTION
 (ON): MOMENTARY ACTION

| | | | | |
|--|-------------------|--------------------------|---|-------------------------------|
| THIS DRAWING IS A CONTROLLED DOCUMENT. | | DIN: BSV 16JUN06 | Tyco Electronics Corporation Harrisburg, Pa 17105-3608 | |
| DIMENSIONS: INCHES | | CHK: M.WILBOURN 14JUN07 | NAME: TRD SERIES ROCKER SWITCH, 1 POLE, 3A, QC TERMINALS | |
| TOLERANCES UNLESS OTHERWISE SPECIFIED: | | APVD: M.WILBOURN 14JUN07 | PRODUCT SPEC: - | |
| 0 PLC ± - | | APPLICATION SPEC: - | | |
| 1 PLC ± - | | SIZE: A1 | | |
| 2 PLC ± - | | CAGE CODE: 00779 | | |
| 3 PLC ± - | | DRAWING NO: 1825422 | | |
| 4 PLC ± - | | RESTRICTED TO: - | | |
| ANGLES ± - | | WEIGHT: - | | |
| MATERIAL: SEE TABLE | FINISH: SEE TABLE | CUSTOMER DRAWING | | SCALE: 4:1 SHEET 1 OF 1 REV A |