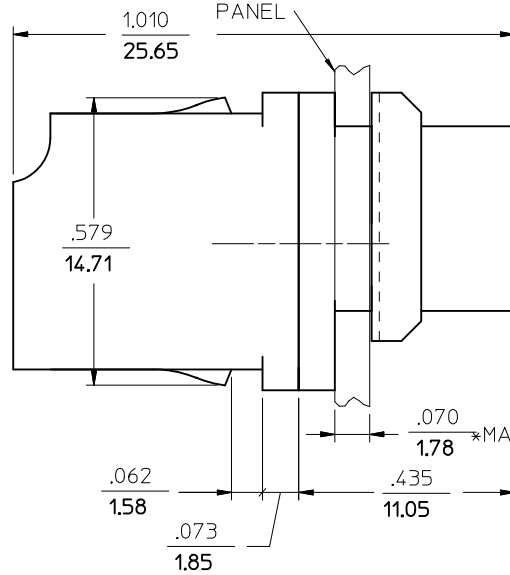
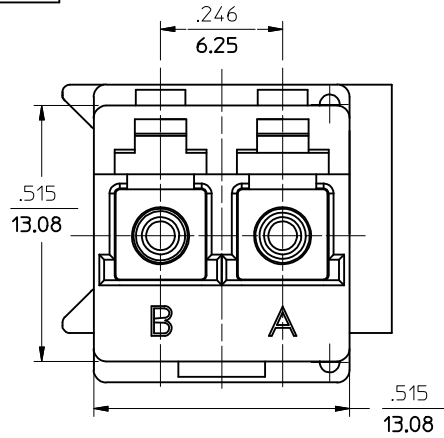
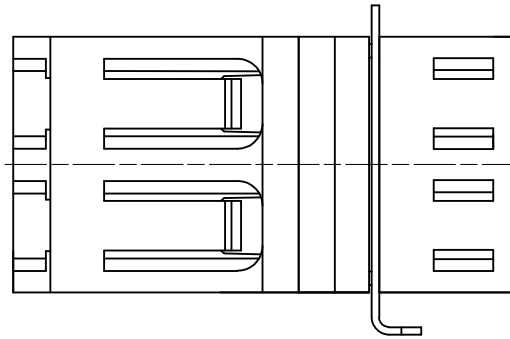
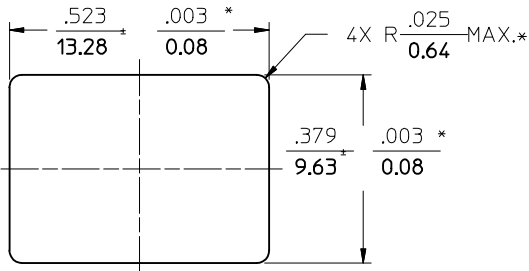
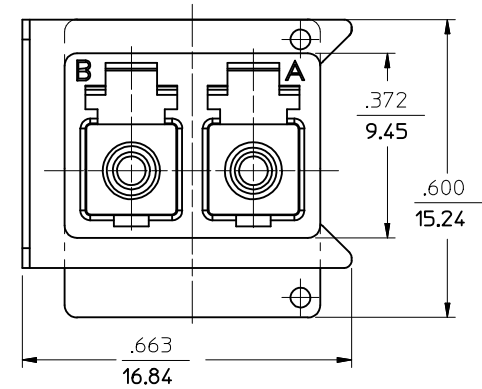


ADAPTER WITH RETAINER P/N	COLOR	SPLIT SLEEVE MATERIAL
106125-1200	BLUE	ZIRCONIA - ZrO <sub>2</sub>
106125-0210	BEIGE	Ph. Bronze
106125-1250	GREEN	ZIRCONIA - ZrO <sub>2</sub>
106125-0200	BLUE	Ph. Bronze
106125-1210	BEIGE	ZIRCONIA - ZrO <sub>2</sub>



(DUST CAPS ARE NOT SHOWN)



NOTES:  
1. ALL DIMENSIONS ARE FOR REFERENCE ONLY, EXCEPT WHEN MARKED WITH (\*).

RECOMMENDED PANEL CUTOUT  
PANEL THICKNESS  $\frac{.070}{1.78}$  MAX.

<b>ENTER DESCRIPTION</b> EC NO: MF2013-0244 DRW:MKPEVZNER 2012/10/29 CHKD: APPR:IGUMIN 2012/10/31 A1	QUALITY SYMBOLS ▽=0 ▽=0	GENERAL TOLERANCES (UNLESS SPECIFIED) mm INCH 4 PLACES ± --- ± --- 3 PLACES ± --- ± --- 2 PLACES ± --- ± --- 1 PLACE ± --- ± --- 0 PLACE ± ±	DIMENSION STYLE IN/MM DRAWN BY DATE PGIBLIN 2005/10/03 CHECKED BY DATE APPROVED BY DATE	SCALE 4:1 DESIGN UNITS INCH THIRD ANGLE PROJECTION	TITLE LC DUPLEX ADAPTER, LOW PROFILE, WITH RETAINER <b>molex</b> MATERIAL NO. SEE TABLE DOCUMENT NO. SD-106125-X2X0 SHEET NO. 1 OF 1	
	ANGULAR ±1/2° DRAFT WHERE APPLICABLE MUST REMAIN WITHIN DIMENSIONS		THIS DRAWING CONTAINS INFORMATION THAT IS PROPRIETARY TO MOLEX INCORPORATED AND SHOULD NOT BE USED WITHOUT WRITTEN PERMISSION			