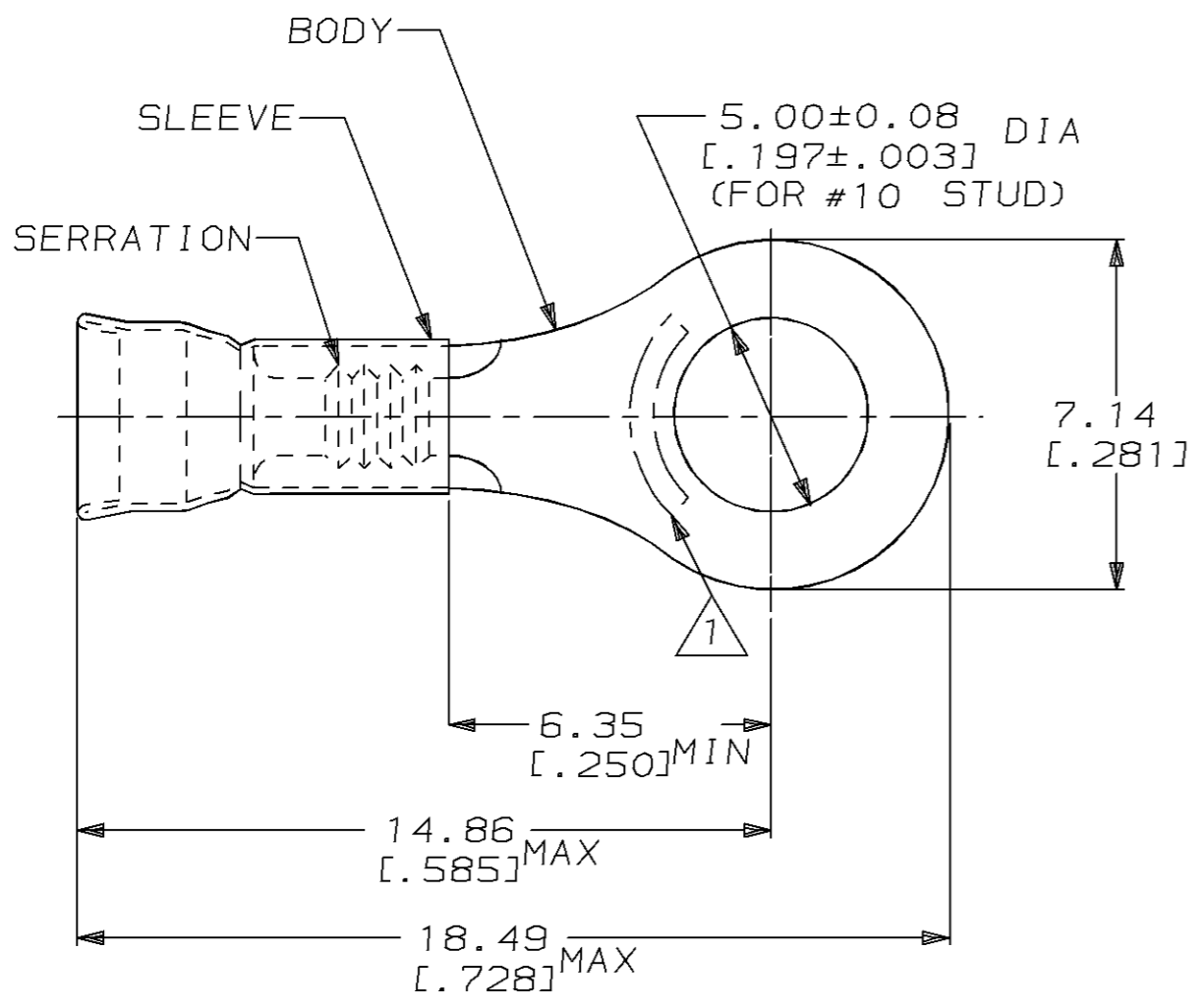


THIS DRAWING IS UNPUBLISHED. RELEASED FOR PUBLICATION ,19 .
 © COPYRIGHT 19 BY AMP INCORPORATED. ALL RIGHTS RESERVED.

LOC	DIST	REVISIONS			
P	LTR	DESCRIPTION	DATE	DWN	APVD
G	14	E	REV / 0720-0867-96	26FEB96	ME SB



AMP WIRE RANGE	UL E13288	SP LR7189 Certified
22-16 AWG SOLID OR STRANDED	22-16 AWG SOLID OR STRANDED	22-16 AWG SOLID OR STRANDED

- 1 STAMP AMP 22-18* APPROX AS SHOWN
22-16 TERMINALS ARE STAMPED 22-18 IN
ACCORDANCE WITH MILITARY SPEC MIL-T-7928
COMMERCIAL WIRE RANGE IS 22-16
- 2. WIRE INSUL DIA, 2.67-3.56 [.105-.140]
- 3. TONGUE MATL THK, 0.79±0.05 [.031±.002]
- 4 TIN PLATE PER MIL-T-10727
- 5 GOLD PLATE PER MIL-G-45204 OVER NICKEL
PLATE PER QQ-N-290

1000	LOOSE PIECE	31398-1
5000	ON TAPE, REEL	2-31398-1
1000	LOOSE PIECE	31398
QTY	PACKAGE TYPE	PART NO

AMP INCORPORATED
 CUSTOMER SERVICE SYSTEM

FOR ADDITIONAL
 PRODUCT INFORMATION OR
 COPIES OF DRAWINGS
 AND TECHNICAL DOCUMENTS
 PRODUCT INFORMATION CENTER
 1-800-522-6752

FOR APPLICATION
 TOOLING INFORMATION
 TOOLING ASSISTANCE CENTER
 1-800-722-1111

FOR ORDER ENTRY
 1-800-526-5142

MAX RECOMMENDED OPERATING
 TEMPERATURE:
 170°C [338°F]

VOLTAGE RATING:
 -

CIRCULAR MIL AREA:
 0.26mm²-1.65mm² [509-3260]

THIS DRAWING IS A CONTROLLED DOCUMENT FOR AMP INCORPORATED.
 IT IS SUBJECT TO CHANGE AND THE CONTROLLING ENGINEERING
 ORGANIZATION SHOULD BE CONTACTED FOR THE LATEST REVISION.

DIMENSIONS:
 mm [in]

TOLERANCES UNLESS
 OTHERWISE SPECIFIED:

0 PLC ±-
 1 PLC ±-
 2 PLC ±0.20 [.008]
 3 PLC ±-
 4 PLC ±-
 ANGLES ±-

FINISH
 SEE NOTE

MATERIAL
 BODY, CU, SLV, CU PER
 ASTM B152

DWN L OLMEDA 23JAN95
 CHK M ELLIS 23JAN95
 APVD S BORTNER 23JAN95

AMP AMP Incorporated
 Harrisburg, PA 17105-3608

NAME TERMINAL, RING,
 DIAMOND GRIP™
 WIRE SIZE, 22-16 AWG

SIZE A3 CAGE CODE 00779 DRAWING NO C-31398

WEIGHT -

CUSTOMER DRAWING SCALE 6:1 SHEET 1 OF 1 REV E