

Clip Connectors Made for the LED Professional



Eliminate the cost of hand soldering



Eliminate the need for cutting wires

Tested to perform from 3 amps to 13 amps

S8081-46R



Easily removable bars

S8071-46R

Design tips are available from Harwin to achieve maximum current flow for your design



Clips supplied in tape and reel packaging with pick and place areas to automate production and reduce costs

Low profile - 1mm / 0.84mm height to minimise shadow effects



Thin Design 1.1 - 1.4mm so component can be placed alongside LEDs



No lighting gaps caused by the difference in distance of LED positioning when using clip connectors in modular designs



Achieve best current level rating using our S8071-46R and S07-46 (short bar) combination alongside placing clips close to the edge of the PCB



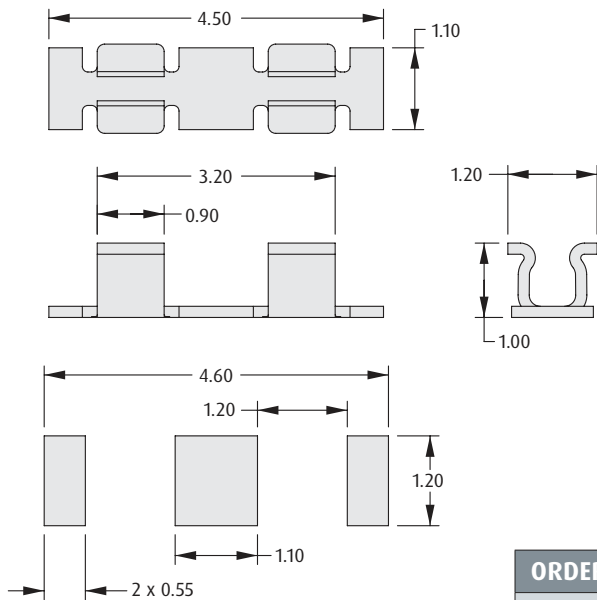
Achieve different angles with ease



VERTICAL CLIP

➤ Specification

Material: Stainless Steel
 Finish: Tin
 Packaging format: Tape & Reel (10,000 on a Ø330mm reel)



Recommended PC Board Pattern

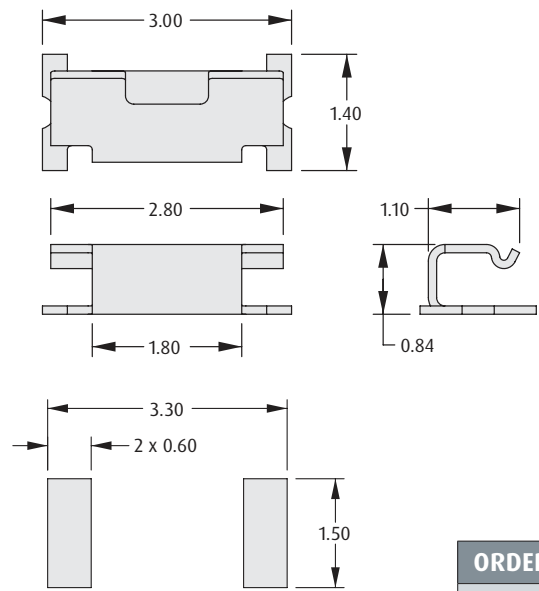
ORDER CODE

S8071-46R

HORIZONTAL CLIP

➤ Specification

Material: Stainless Steel
 Finish: Tin
 Packaging format: Tape & Reel (10,000 on a Ø330mm reel)



Recommended PC Board Pattern

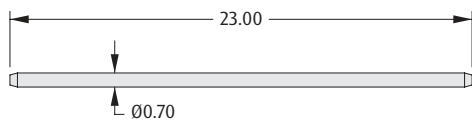
ORDER CODE

S8081-46R

23mm LONG REMOVABLE BAR

➤ Specification

Material: Phosphor Bronze
 Finish: Tin
 Packaging format: Loose



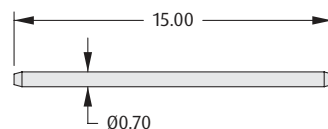
ORDER CODE

S07-46

15mm LONG REMOVABLE BAR

➤ Specification

Material: Phosphor Bronze
 Finish: Tin
 Packaging format: Loose



ORDER CODE

S08-46

	CLIPS		BAR	
	S8071-46R	S8081-46R	S07-46	S08-46
Packaging	10,000 per reel		100 Components per bag	
Finish	1.0µ to 3.0µ Tin over 0.4µ to 1.5µ Nickel		2µ to 6µ Tin over 1µ to 4µ Nickel	
Voltage rating	250V AC/DC			
Insertion force	25N MAX (Initial)	12N MAX (Initial)	N/A	N/A
Withdrawal force	8N MIN (Initial)	4N MIN (Initial)	N/A	N/A
Durability	10 CYCLES MAX to maintain stated forces			
Operating temperature	-40°C to +85°C			