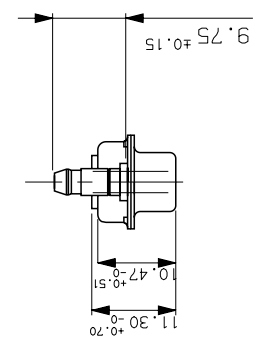
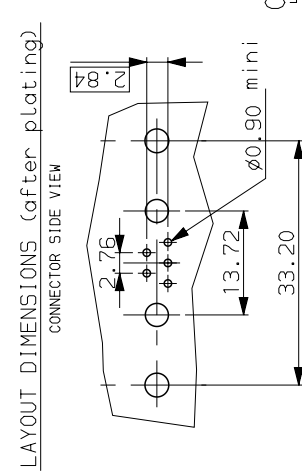
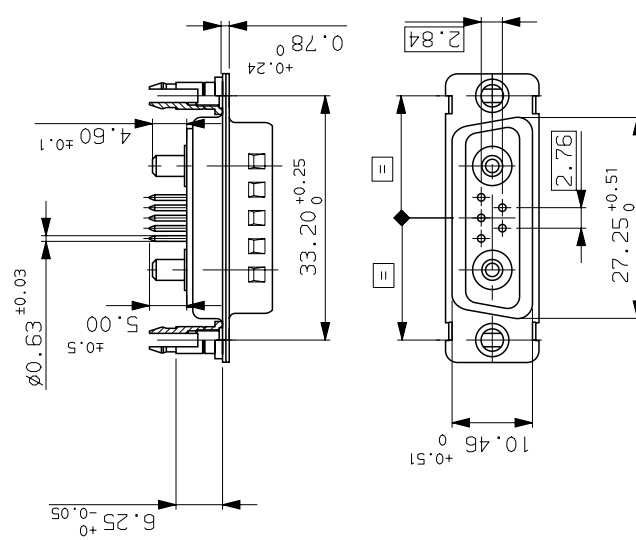
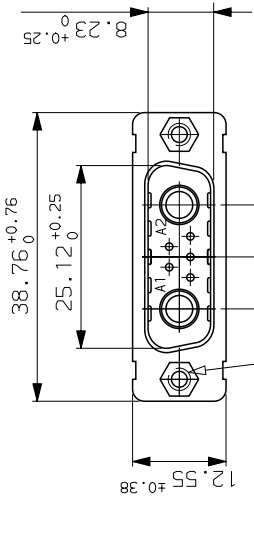


GENERAL CHARACTERISTICS : SEE DRAWING C01-8639-0000



| | |
|---------------|------------|
| DA07W2P300G40 | UNC 4.40 |
| DAL7W2P300G40 | M3 |
| PART NUMBER | Threaded A |

| | | | | | |
|--|--------|--|--|--|-----------------|
| b 29/09/03 | update | ISS DATE | Lastest modification by : DEBRAY.T | MOD N° | -- |
| Designed by : JARRY date 27/12/00 | | Type of drawing: | CLIENT | | |
| Checked by : FONTENEAU date: --- | | Released by: | --- | | |
| TITLE : PIN CONNECTOR WITH TWO POWERS CONTACTS | | | | | |
| SCALE | 1.5 | Special mfg.--- | MATERIAL--- | N°: --- | |
| Item List n°: | --- | General linear Tolerances: --- | General machining surface texture: --- | Geometrical Tolerances: see NF E 04-552 | SHEET 01 |
| | | FRAMATOME CONNECTORS FRANCE Rue Louis Breguet - Bp 05 72024 LE MANS Cedex Tel. 33 (16) 43.84.08.43 | | This document is the property of FRAMATOME CONNECTORS FRANCE. It must not be reproduced or communicated without permission in writing from the owners. | |
| FORMAT | A3 | SOURIAU DRG N° | C01-8639-1776 | | PROJECT M94D001 |