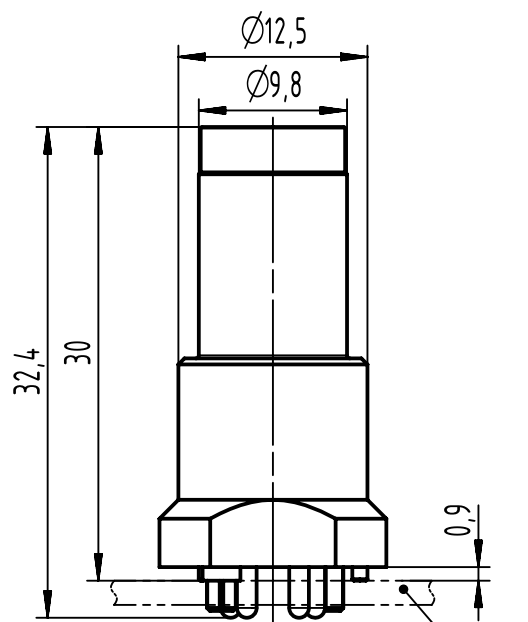
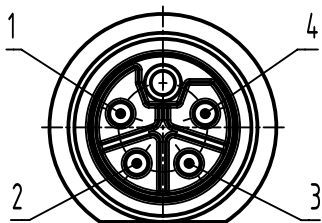


A

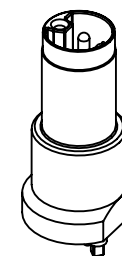
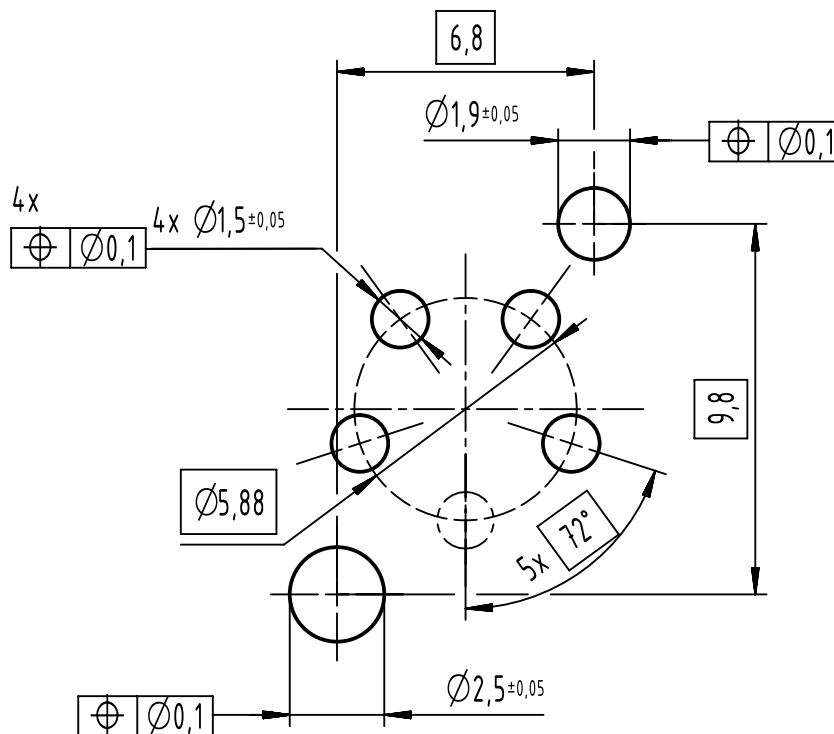


contact face acc. to  
IEC 61076-2-111



A (5:1)

recommended PCB-layout



	All rights reserved Department EL PD	All Dimensions in mm Original Size DIN A4			Scale 2:1	Free size tol.	Ref.	
		HARTING D-32339 Espelkamp	Created by BALSAN	Inspected by FARCASIU	Standardisation ROEBEN	Date 2022-06-17	State Final Release	Sub.
Title M12 Power PCB receptacle male L-coded w/o FE							Doc-Key / ECM-Nr. 100747745/UGD/002/E 500000202494	
Type TB					Number 21033961506		Rev. E	Page 1/1