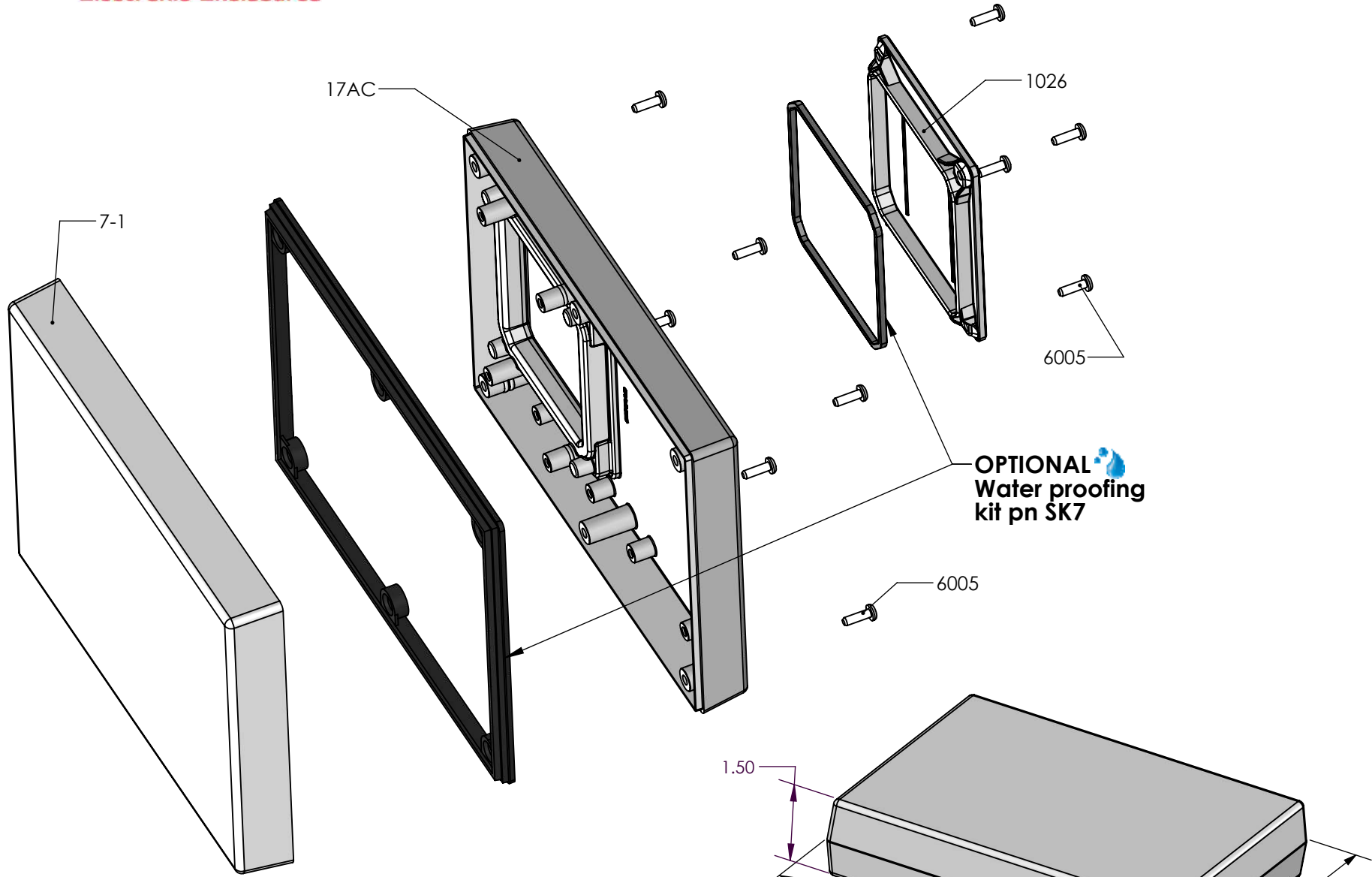


# SERPAC 171AC (exploded isometric)

Electronic Enclosures



**OPTIONAL**  
Water proofing  
kit pn SK7

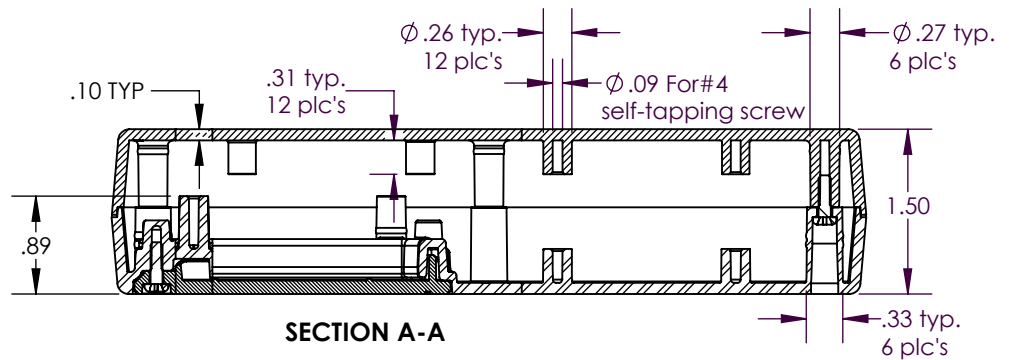
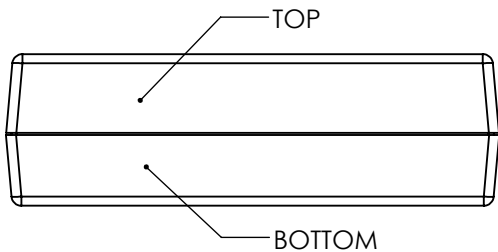
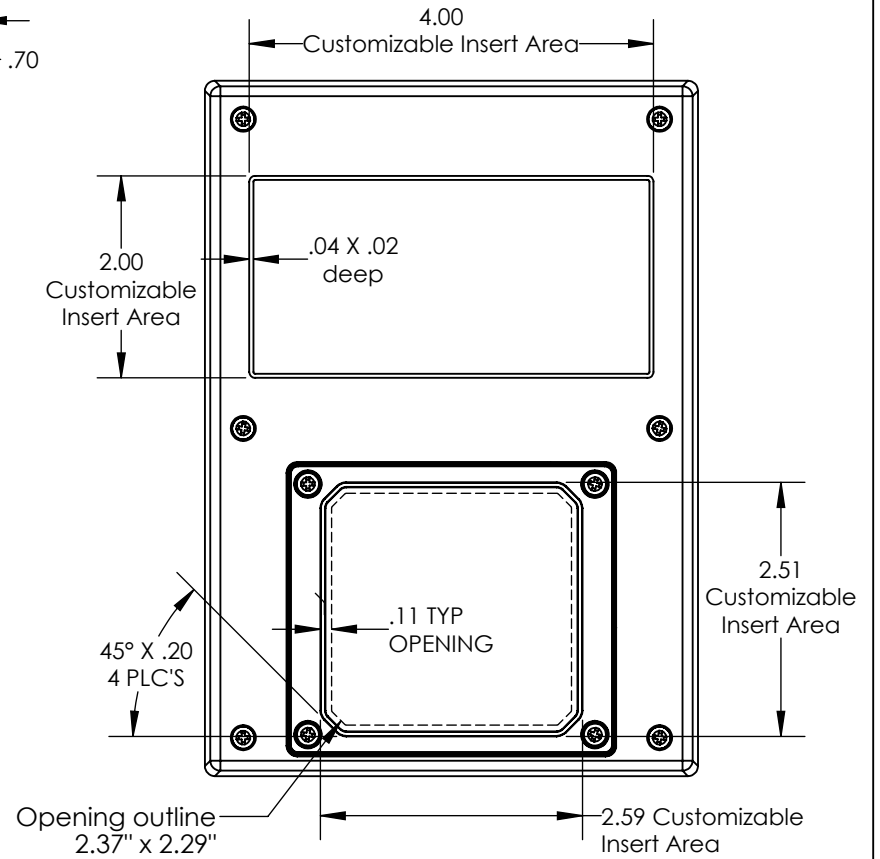
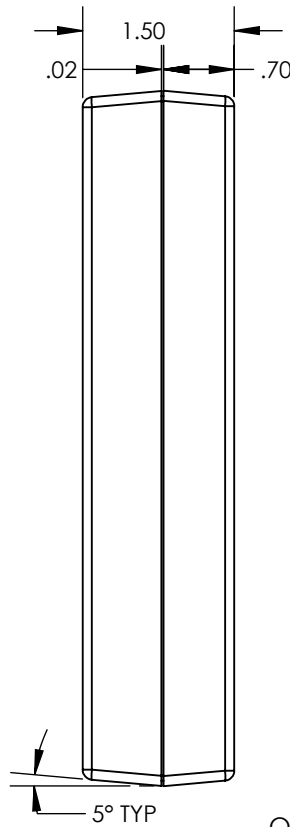
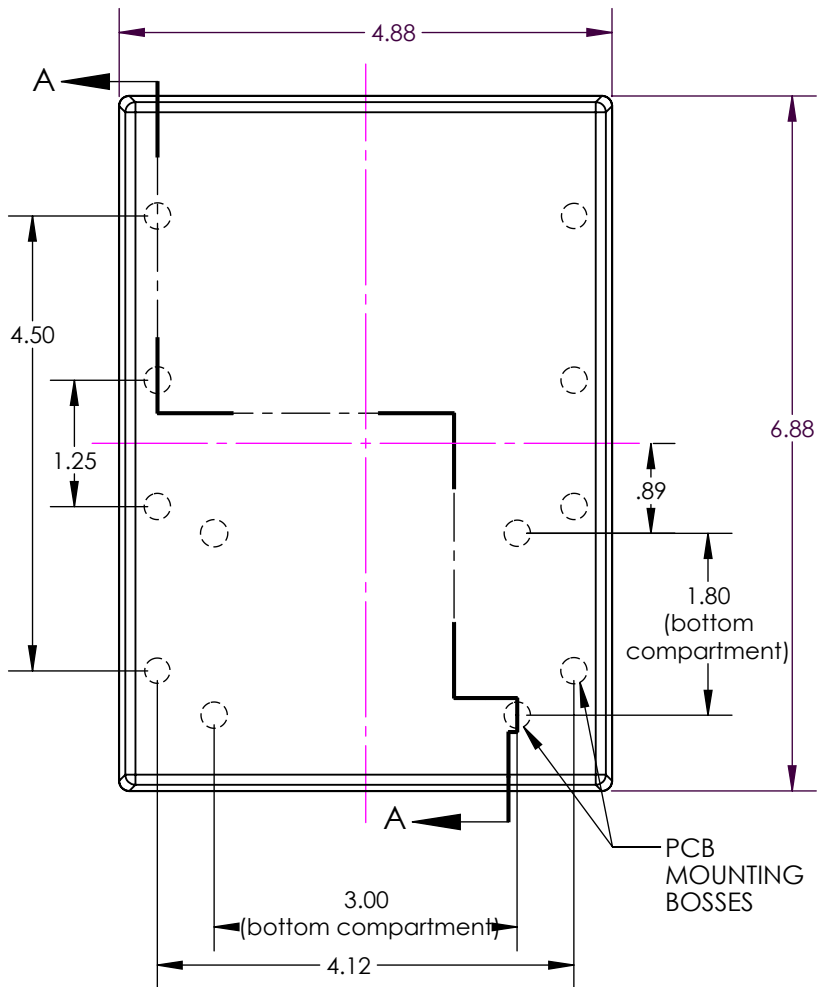
| PART NO. | DESCRIPTION (Included)          | ACCESSORIES (Optional) |                  |
|----------|---------------------------------|------------------------|------------------|
| 7-1      | Top                             | PART NO.               | DESCRIPTION      |
| 17AC     | 2AC Bottom                      | 50                     | Non-skid Feet    |
| 1026     | Access Door                     | SK7                    | Seal Kit for 17X |
| 6005     | #4X3/8" Self-Tapping Screw (10) |                        |                  |
|          |                                 |                        |                  |
|          |                                 |                        |                  |

Notes:  
 1) Enclosure meets or exceeds IP40 and NEMA 1  
 2) When used with SK7 the enclosure meets or exceeds IP 67 and NEMA 4X, 12 and 13 MIL-STD-810G 506.5 (.03 lb / 14 g)  
 3) Circuit Board drawings see sheet 3.  
 4) All components are RoHS Compliant.

ALL DIMENSIONS ARE ± .010" 9/3/2021  
 2009 Wright Ave. La Verne, CA 91750  
 Ph. (626) 331-0517 Fx. (626) 331-8584 serpac.com

# SERPAC 171AC

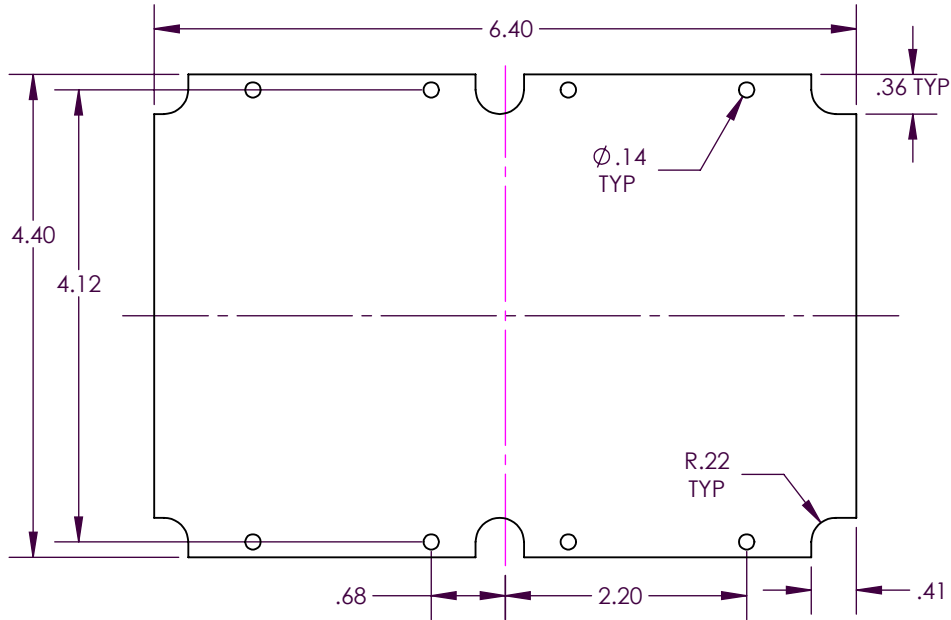
Electronic Enclosures



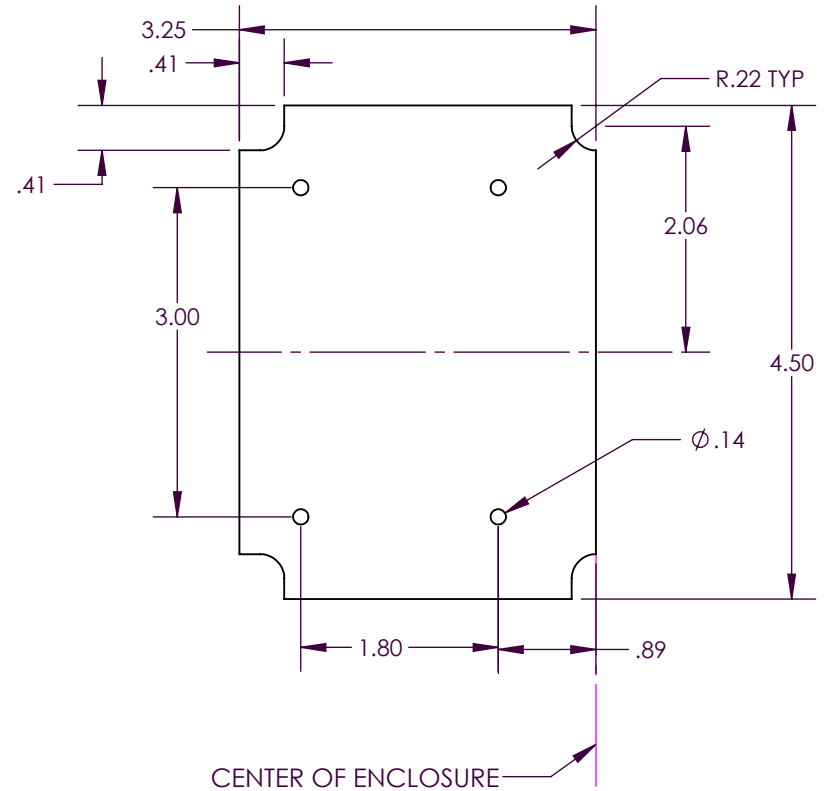
# SERPAC PCB for 17X compartment enclosures

Electronic Enclosures

**CIRCUIT BOARD FOR TOP**



**CIRCUIT BOARD FOR BOTTOM**



**SMALL CIRCUIT BOARD FOR BOTTOM**

