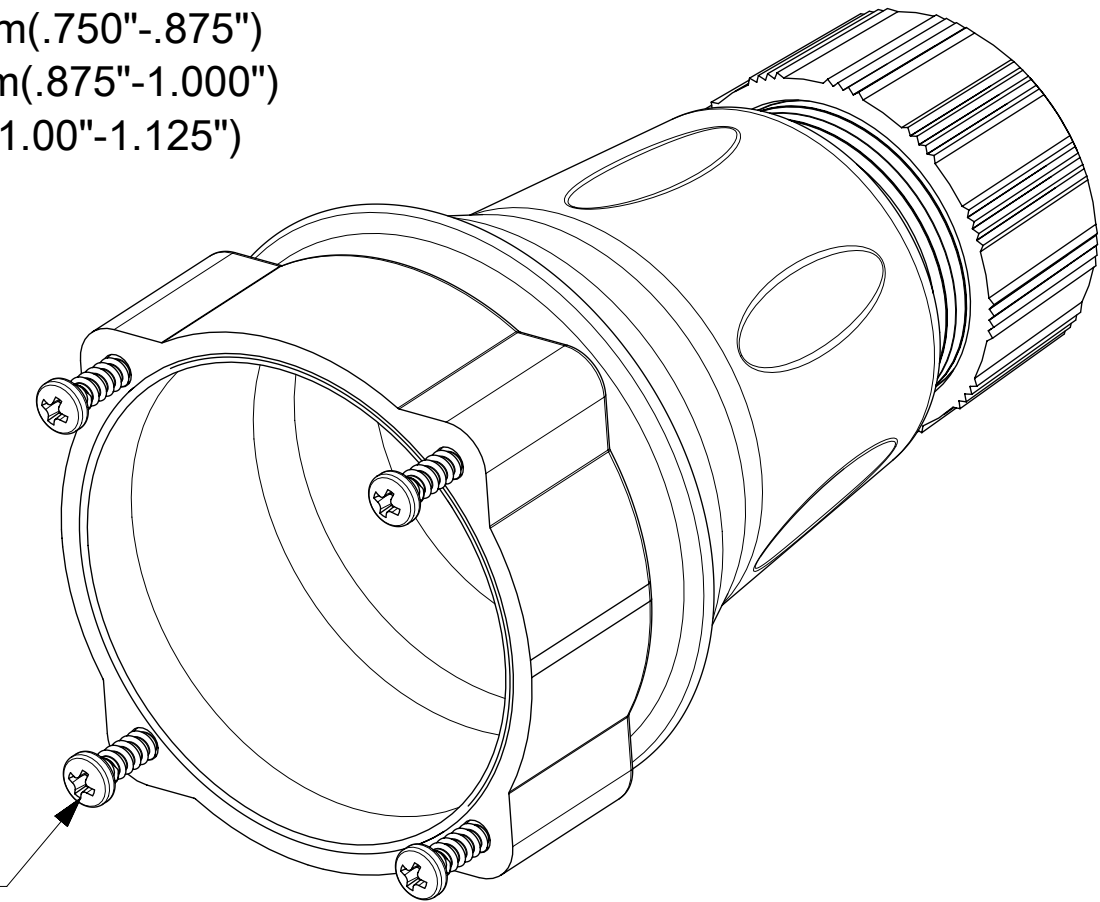
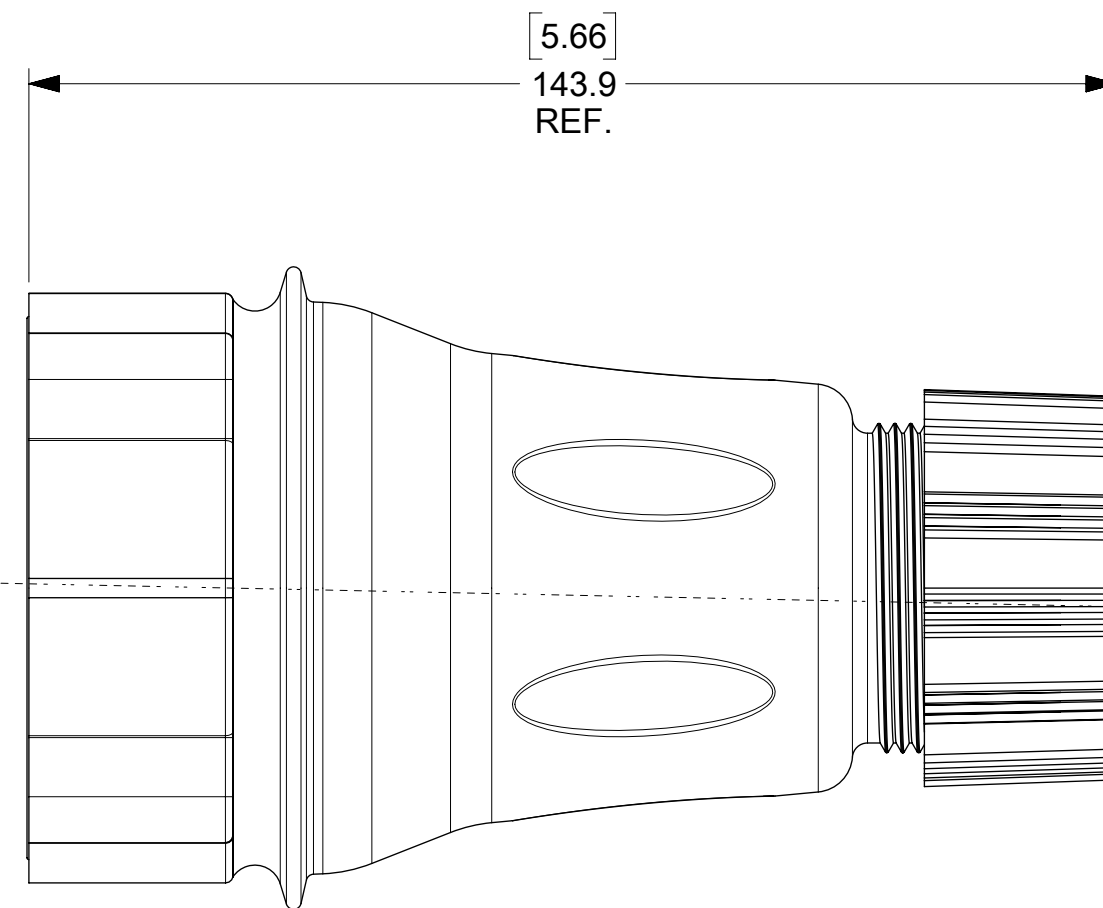
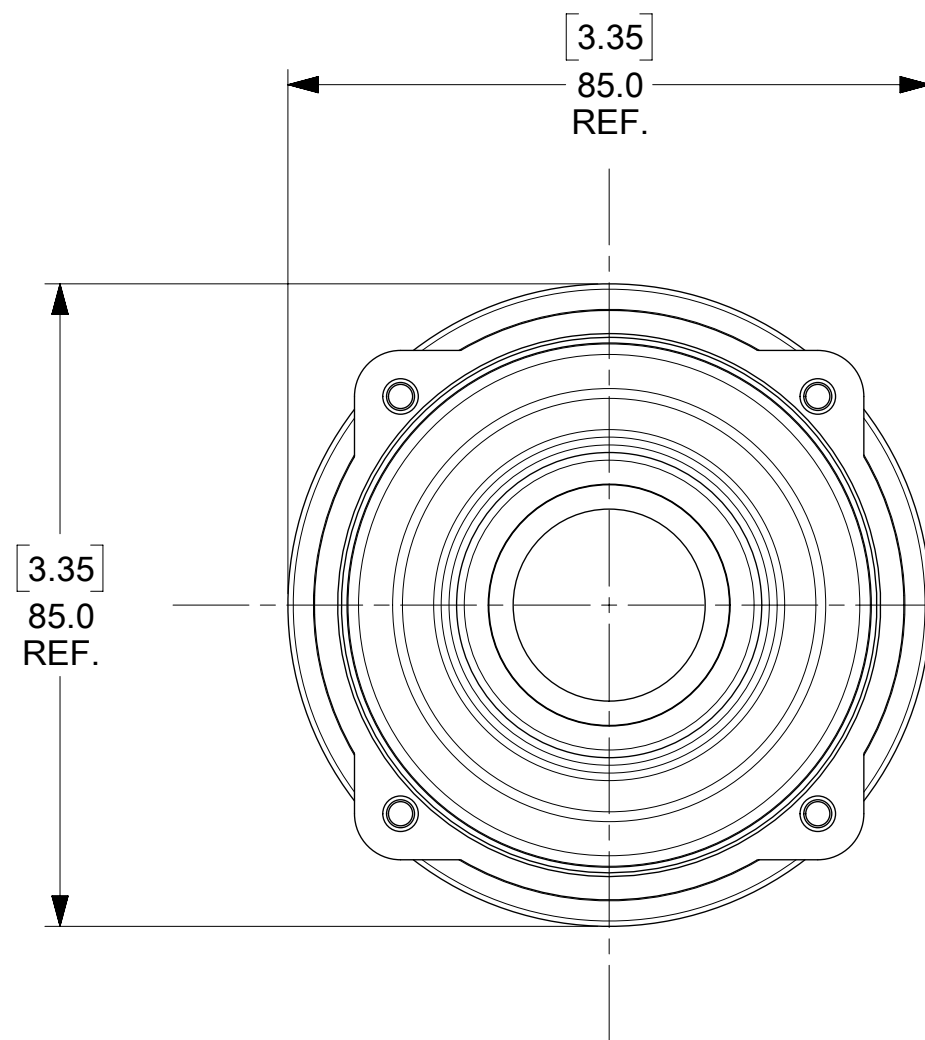
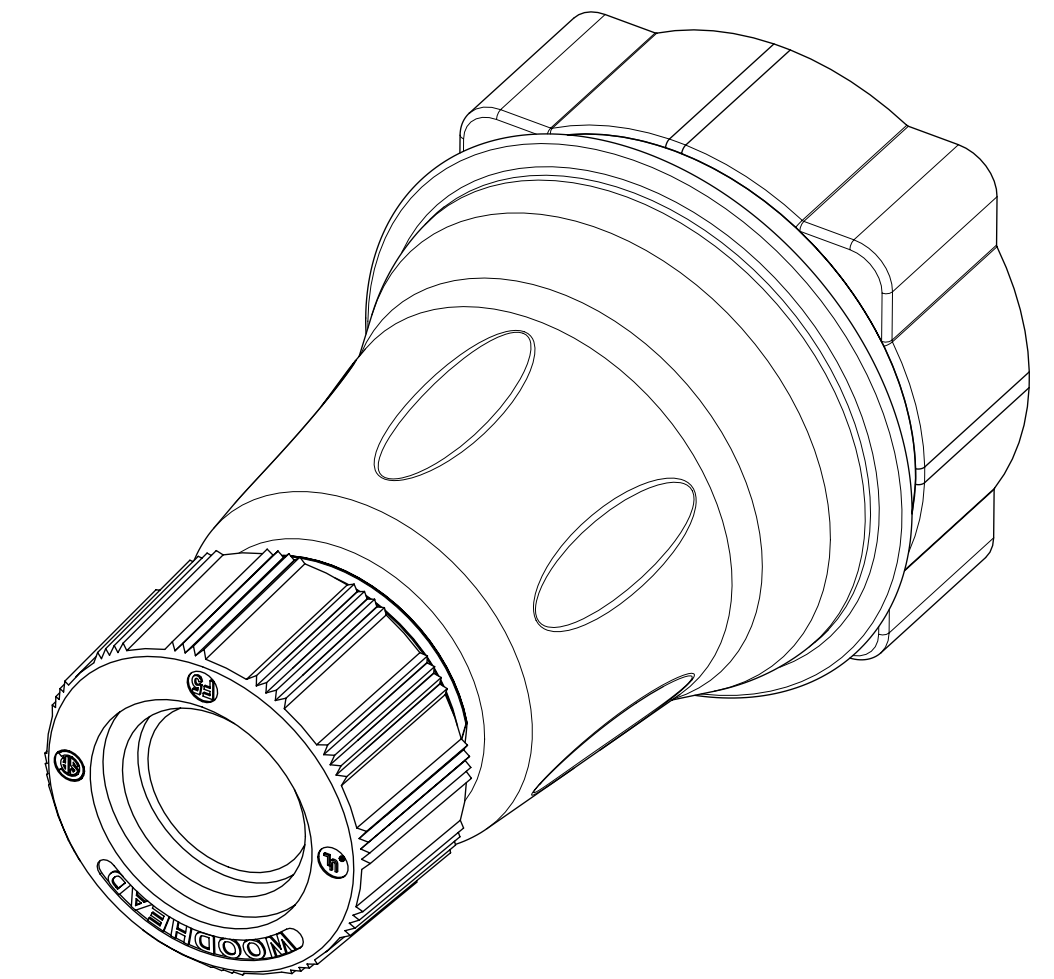


GROMMET
 1301800308, ORANGE, CABLE DIAMETER RANGE 19.05mm-22.25mm (.750"-.875")
 1301800309, YELLOW, CABLE DIAMETER RANGE 22.23mm-25.40mm (.875"-1.000")
 1301800310, BLACK, CABLE DIAMETER RANGE 25.40mm-28.57mm (1.00"-1.125")



SELF TAPPING SCREWS
 (SHOWN FOR REF. ONLY)




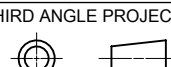
NOTES:

1. MATERIAL:

- HANDLE - GREY PBT
- GROMMET - RUBBER
- FRICTION RING - NATURAL POLYETHYLENE
- COMPRESSION NUT - BLACK PBT
- SELF TAPPING SCREWS (TO ASSEMBLE TO DEVICE) - STAINLESS STEEL

2. AMBIENT OPERATING TEMPERATURE: -25°C (-13°F) TO 60°C (140°F)
 (WITH MAX. 30°C RISE ABOVE AMBIENT)

THIS DRAWING CONTAINS INFORMATION THAT IS PROPRIETARY TO MOLEX ELECTRONIC TECHNOLOGIES, LLC AND SHOULD NOT BE USED WITHOUT WRITTEN PERMISSION

DIMENSION UNITS		SCALE		CURRENT REV DESC: GENERAL MARKET RELEASE				 60A ARC ARREST MAX-LOC HANDLE W/O DRAWPL					
MM/INCH		1:1											
GENERAL TOLERANCES (UNLESS SPECIFIED)						EC NO: 674097		DOCUMENT NUMBER					
						DRWN: MJANTELEZIO		2021/08/17		1122176000		PSD 000 A2	
4 PLACES ±						CHK'D: WLEUNG		2021/08/17		PRODUCT CUSTOMER DRAWING		DOC TYPE DOC PART REVISION	
3 PLACES ±						APPR: WLEUNG		2021/08/17		1122176000		PSD 000 A2	
2 PLACES ±						INITIAL REVISION:				MATERIAL NUMBER		SHEET NUMBER	
1 PLACE ±						DRWN: VBASUTHKARP		2017/09/06		1122176000		1 OF 1	
0 PLACES ±						APPR: JFMURPHY		2020/11/17		CUSTOMER		GENERAL MARKET	
ANGULAR TOL ± °						THIRD ANGLE PROJECTION		DRAWING		SERIES		C-SIZE 112217	
DRAFT WHERE APPLICABLE MUST REMAIN WITHIN DIMENSIONS								C-SIZE		112217		1122176000	

DOCUMENT STATUS	P1	RELEASE DATE	2021/08/17	21:15:13
-----------------	----	--------------	------------	----------