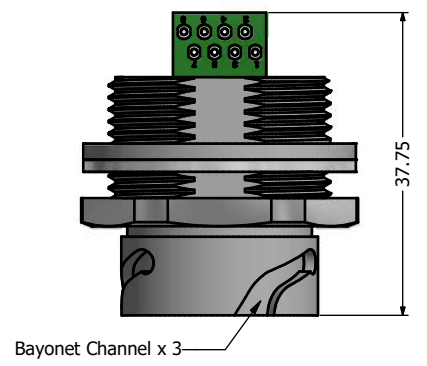
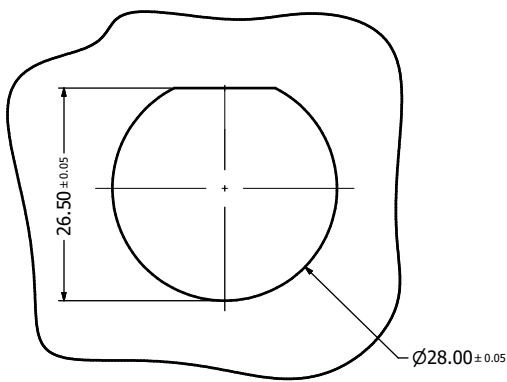
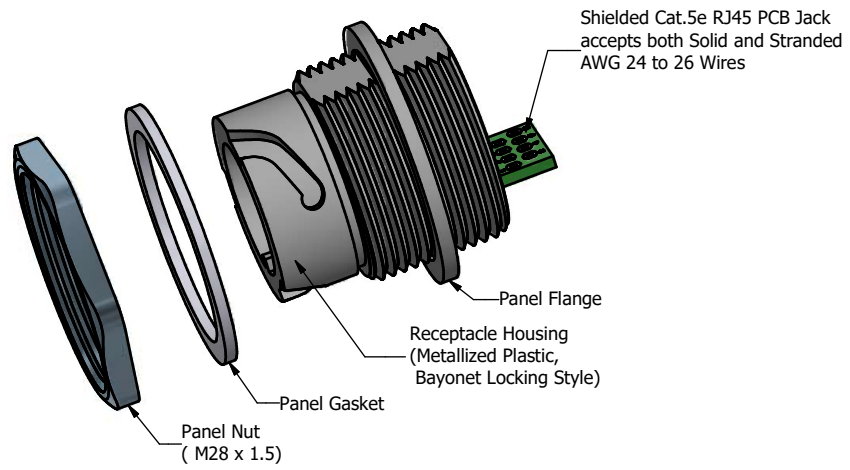


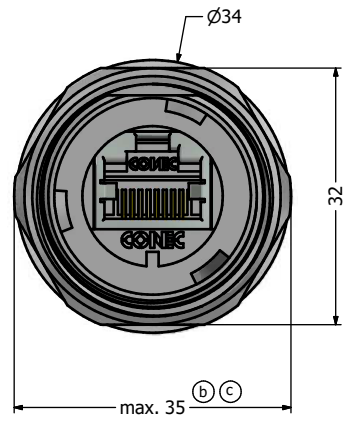
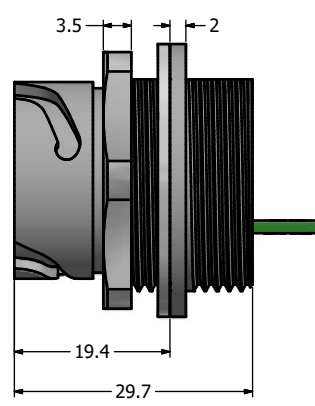
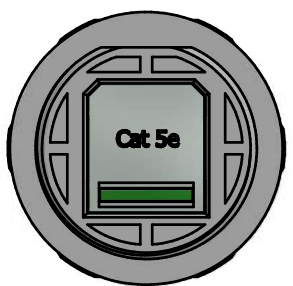
6 5 4 3 2 1



Recommended Panel Cutout (b)

Notes:

- Electrical Specifications:
 - Meets EIA/TIA-568-B.2 Cat.5e Specification
 - Contact Resistance: 20mOhm max.
 - Insulation Resistance: 500MOhm min. @ 100 VDC
 - Current Rating: 1.2A max. at 25° C
 - Working Voltage: 100 VDC
 - DWV: 1000 VDC/60s Contact to Contact, 1500 VDC/60s Contact to Metal Shell
 - Operating Temperature: -40° C to +85° C
- Material and Finish:
 - Receptacle Housing: Metallized ABS (Nickel Plated); UL94 V-0
 - Panel Nut: Brass, Finish: Nickel Plated
 - Panel Gasket: Silicon, Color: White
 - Cat.5e RJ45 PCB Jack Metal Shell: Copper Alloy, Nickel Plated
 - Cat.5e RJ45 PCB Jack Plastic Housing: Glass filled PBT UL94 V-0, Color: Black
 - Cat.5e RJ45 PCB Jack Contacts: Phosphor Bronze, Finish: 50u" Gold min. over Nickel
- Connector can be front or rear mounted to a maximum panel thickness of 3.2mm.
- IP67 rated when covered or fully mated with the appropriate mating connector
- RoHS compliant



RoHS compliant

THIS DRAWING MAY NOT BE COPIED OR REPRODUCED IN ANY MANNER OR ON TO A THIRD PARTY WITHOUT WRITTEN PERMISSION. OWNERSHIP AND COPYRIGHT OF CONEC CORPORATION.	Customer:			Tolerance Unless otherwise specified			Scale: 1.5:1	Dim. in mm
	Name	Title	Approval Date	0 PLC ±0.50	1 PLC ±0.38		Autodesk Inventor	Material: See Notes
				2 PLC ±0.25	3 PLC ±0.10	Name	Title: Receptacle Assembly Kit	
				Angles ±3°	Norm	Vincent Ke	Metallized Plastic Receptacle Housing	
						J. Chaudry	with Shielded Cat. 5e RJ45 PCB Jack	
							Drawing No.: 17K1A192	DIN A3
1 x c	Ä21-0426	29.10.2021	Bub	D-old		Part No.: 17-10018	Sheet 1/1	
b		Mar/08/2011	Vincent ke					
a	original							
Rev	Changes	Date	Name					

