

Read head and evaluation unit

VAA-2E-IER2-S-1M-V1

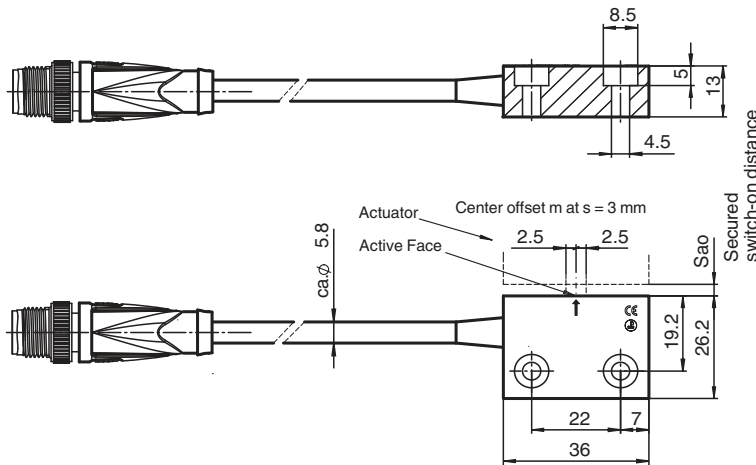


- Small plastic housing
- Encapsulated electronics
- Especially suited to small doors and coverings
- Multiple-flush magnet system
- Cable with M12 plug

Reed safety switch for non-contact AS-Interface safety switches



Dimensions



Technical Data

General specifications		
Detection type		magnetic
assured start-up distance	S _{a0}	7 mm
assured release distance	S _{ar}	max. 40 mm
Center offset	m	± 2.5 mm at distance s = 3 mm
Node type		Safety node
AS-Interface specification		V3.0
Required gateway specification		≥ V2.0
Profile		S-0.B
IO code		0
ID code		B
ID1 code		F
ID2 code		E
Response delay		< 5 ms
UL File Number		E155795
Functional safety related parameters		
Safety Integrity Level (SIL)		SIL 3

Release date: 2022-06-13 Date of issue: 2022-06-13 Filename: 211352_eng.pdf

Refer to "General Notes Relating to Pepperl+Fuchs Product Information".

Pepperl+Fuchs Group
www.pepperl-fuchs.com

USA: +1 330 486 0001
fa-info@us.pepperl-fuchs.com

Germany: +49 621 776 1111
fa-info@de.pepperl-fuchs.com

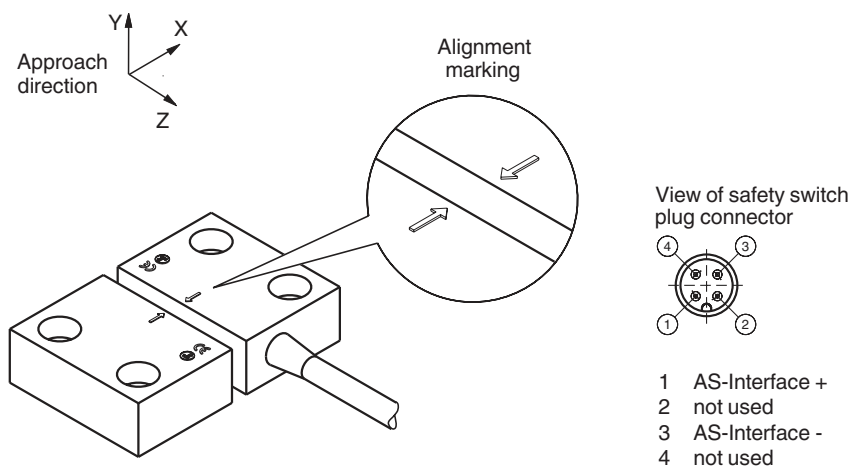
Singapore: +65 6779 9091
fa-info@sg.pepperl-fuchs.com

PF PEPPERL+FUCHS

Technical Data

Performance level (PL)	PL e	
Mission Time (T_M)	20 a	
PFH _d	4.29 E-8	
Electrical specifications		
Rated operating voltage	U_e	26.5 ... 31.6 V from AS-Interface
Rated operating current	I_e	≤ 30 mA
Power supply	via AS-Interface network	
Directive conformity		
Electromagnetic compatibility		
Directive 2014/30/EU	EN 62026-2:2013+A1:2019 IEC 60947-5-3:1999	
Machinery Directive		
Directive 2006/42/EC	EN ISO 12100-1, -2:2003 EN 1088:1995+A2:2008	
Standard conformity		
Degree of protection	EN 60529:2000	
AS-Interface	EN 62026-2:2013+A1:2019	
Functional safety	ISO 13849-1:2008 (up to category 3/PL e) EN ISO 12100-1, -2:2003 EN 1088:1995+A2:2008	
Ambient conditions		
Ambient temperature	-20 ... 60 °C (-4 ... 140 °F)	
Shock and impact resistance	30 g/11 ms	
Mechanical specifications		
Housing length	36 mm	
Housing width	26.2 mm	
Housing depth	13 mm	
Degree of protection	IP67	
Connection	with fixed cable and M12 connector, 4-pin	
Material		
Housing	PPS	
Cable	PUR	
Installation	any position	
Cable length	1 m	
Life span	100 x 10 ⁶ switching cycles	

Assembly



Release date: 2022-06-13 Date of issue: 2022-06-13 Filename: 211352_eng.pdf

Refer to "General Notes Relating to Pepperl+Fuchs Product Information".

Pepperl+Fuchs Group
www.pepperl-fuchs.com

USA: +1 330 486 0001
fa-info@us.pepperl-fuchs.com

Germany: +49 621 776 1111
fa-info@de.pepperl-fuchs.com

Singapore: +65 6779 9091
fa-info@sg.pepperl-fuchs.com

PF PEPPERL+FUCHS

