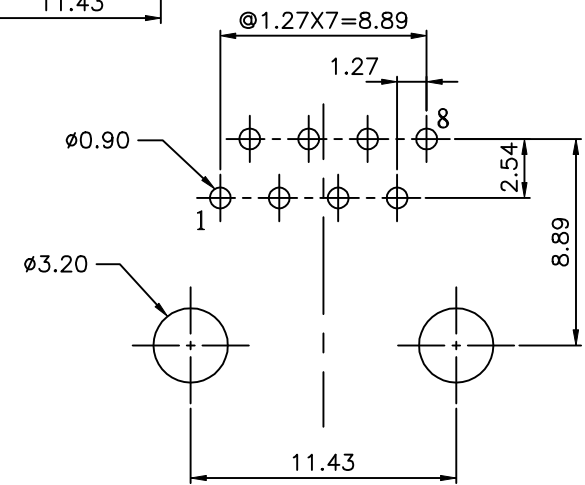
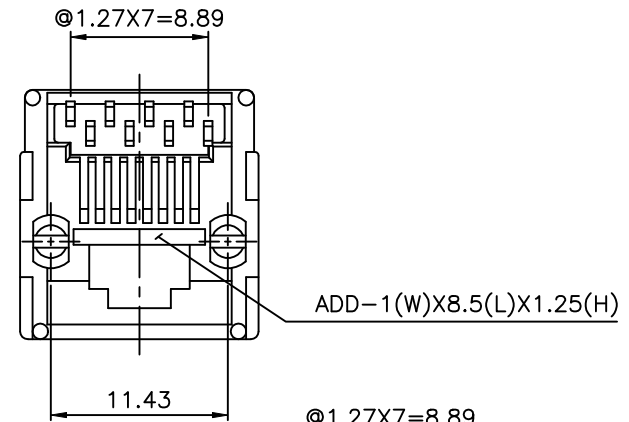
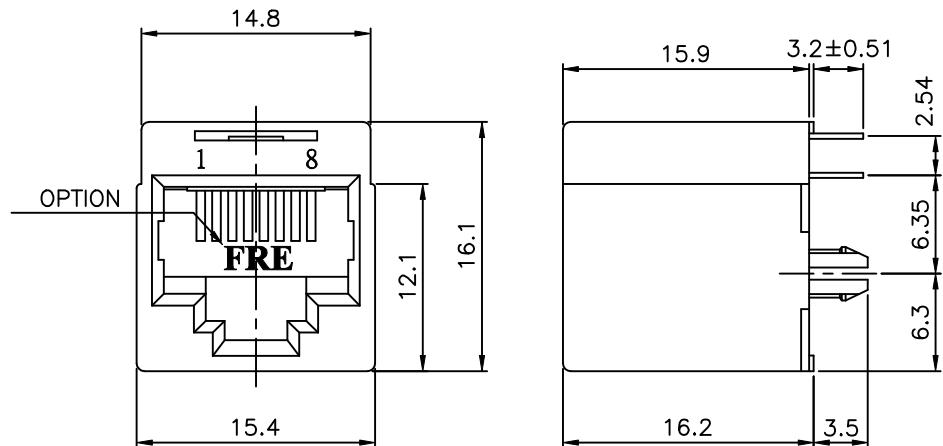


REVISION RECORD				
REV	ECO	DESCRIPTION	DRFT	CHKD
△		DRAWING MODIFY		CZH 2/28/2002
△		NOTES MODIFY		Among 10/22/04



PC Board Layout Component Side Shown

NOTES:

ELECTRICAL:

- VOLTAGE RATING : 125 VAC RMS.
- CURRENT RATING : 1.5 AMP.
- CONTACT RESISTANCE : 30 MILLIOHMS MAX.
- INSULATION RESISTANCE: 1000 MEGOHMS MIN @ 500 VDC.
- DIELECTRIC STRENGTH : 1000 VAC RMS 60HZ, 1MIN.

MECHANICAL:

- HOUSING MATERIAL : GLASS FILLED POLYESTER UL94V-0.
- CONTACT MATERIAL : PHOSPHOR BRONZE t=0.35mm.
- PLATING : GOLD PLATING OVER NICKEL.
- OPERATING LIFE : 750 CYCLES MIN.
- PCB RETENTION PRE-SOLDER : 1 LB MIN.
- PCB RETENTION POST-SOLDER: 10 LBS MIN.

ENVIRONMENTAL:

- STORAGE : -40°C TO +85°C.
 - OPERATION: -40°C TO +85°C.
- MATES WITH MODULAR PLUG CONFORMING TO FCC PART 68, SUBPART F.

CUL FILE NO. E163191

PART NUMBER: E528X-X00X4X

- | | | |
|-----------------|-------------|--------|
| 8--8P8C | 1- 3u" | 2- 6u" |
| 6--8P6C | 3-15u" | 4-30u" |
| 4--8P4C | 5-50u" | |
| 2--8P2C | 0--A06-0100 | |
| △ 3-W/ FRE LOGO | 1--A06-0080 | |
| R-W/O FRE LOGO | | |

DETACHED LISTS	MM (INCH)		DFTO RACHEL	DATE 10/15/2001
	TOLERANCES EXCEPT AS NOTED		CHKD SAMMY	DATE 2004/11/18
			MFO	DATE
			APPVLLUSEHNG	DATE 2004/11/18
MM		±	MATERIAL :	
.0 ± 0.2		±	QTY :	
.00 ± 0.15		±	FINISH :	
.000 ± 0.075		±	SCALE : 3:1	
ANGLES ± 0.5		THIRD ANGLE PROJECTION		

FULL RISE ELECTRONIC CO., LTD			
TITLE			
RJ45 TOP ENTRY PCB MODULAR JACK(DIP TYPE)			
DRAWING NO. GE523045		SIZE	REV
/PART NO. SEE NOTE		A3	2
DO NOT SCALE DRAWING		SHEET OF	