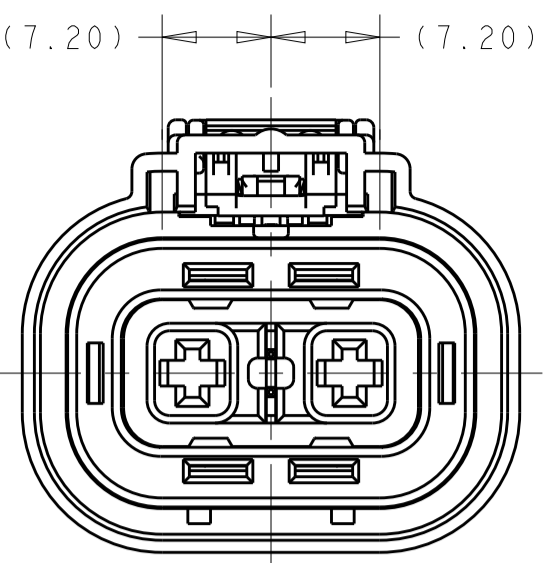
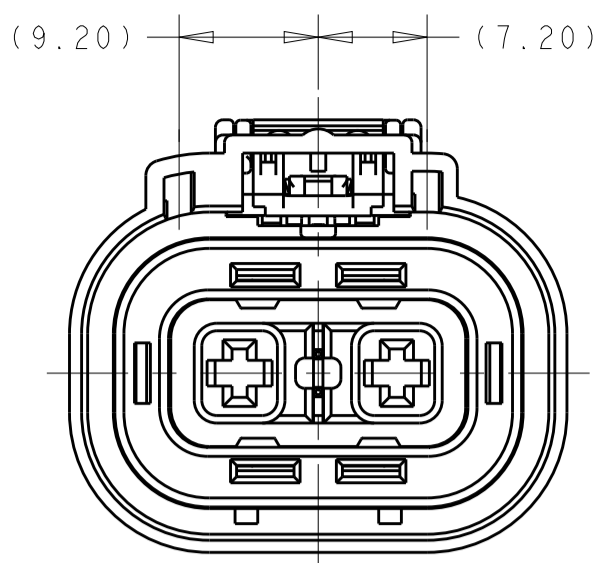


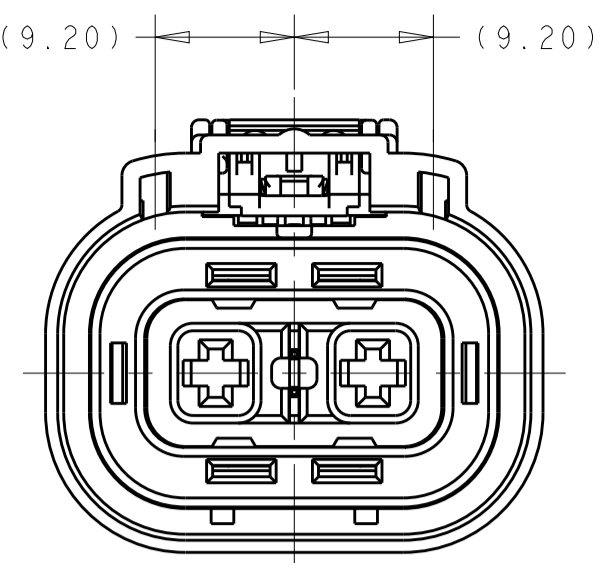
| REVISIONS | | | | |
|-----------|------|-----------------|-----------|------------|
| P. | LTN. | DESCRIPTION | DATE | OWN. APVD. |
| 1 | | INITIAL DRAWING | 09APR2014 | VA AT |
| A | | ECO-14-018972 | 29DEC2014 | DS AT |
| A1 | | ECO-16-018267 | 19DEC2016 | DS AT |



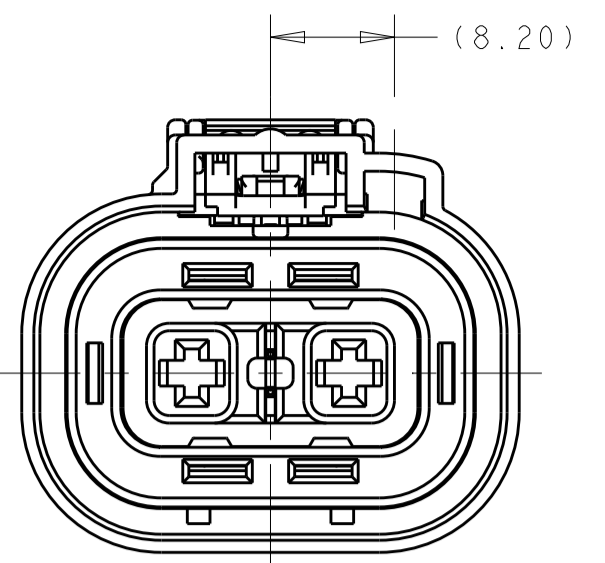
KEY A
2103628-1



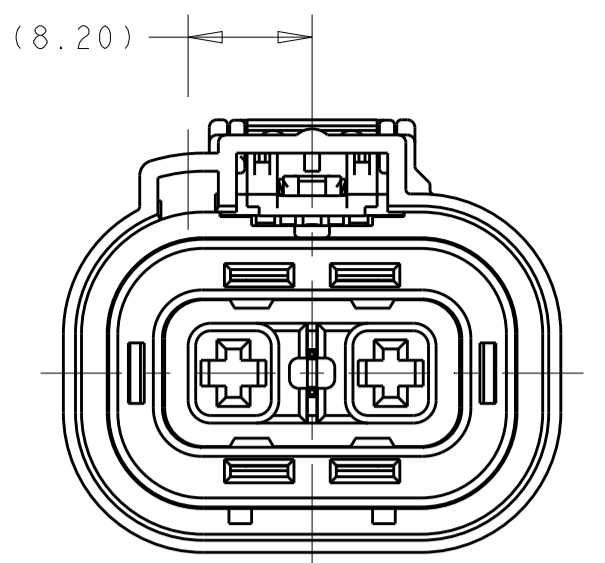
KEY B
2103628-2



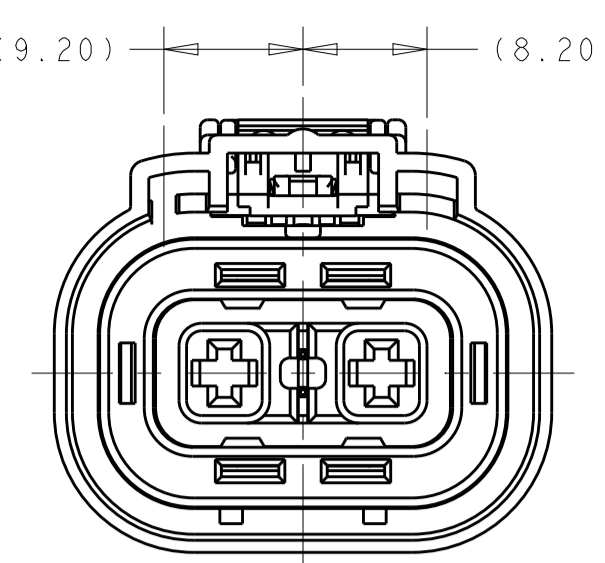
KEY D
2103628-4



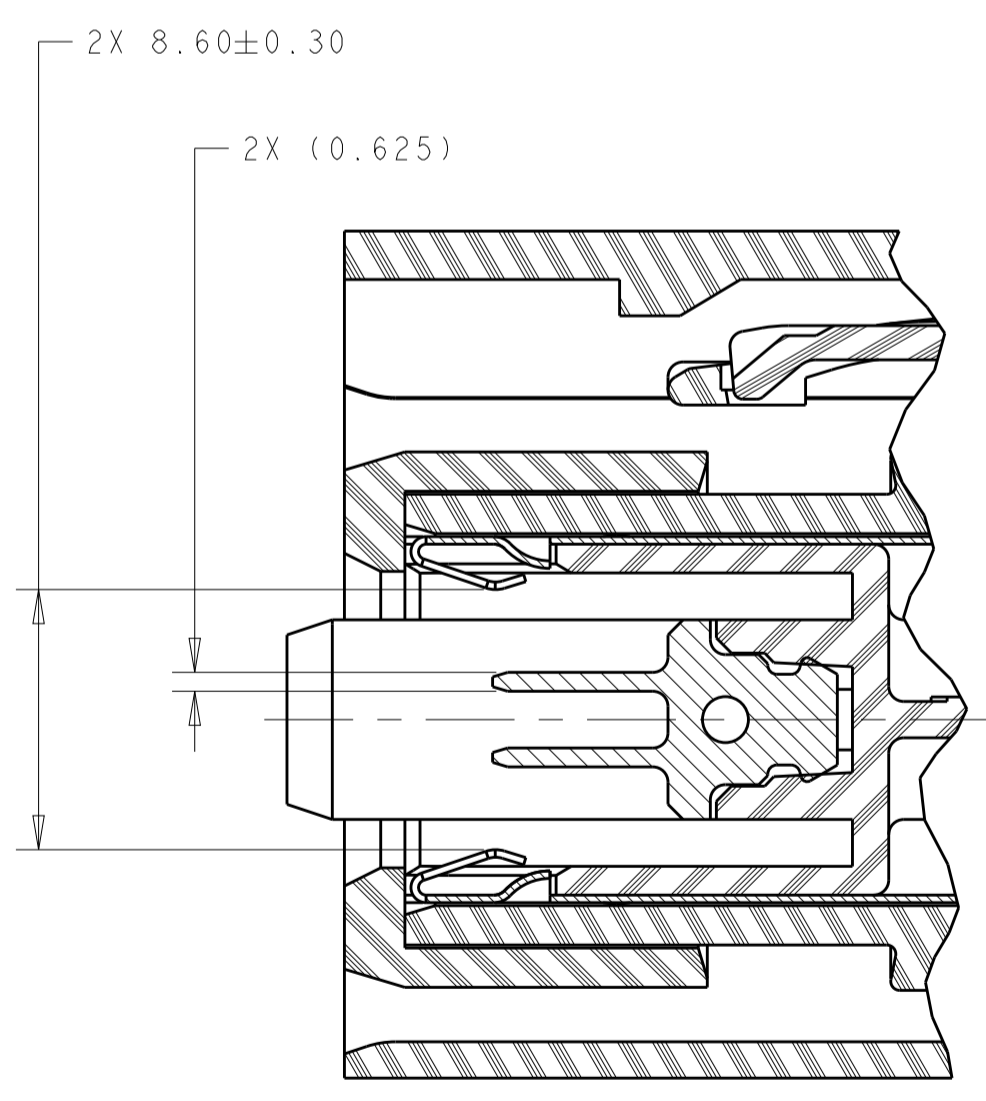
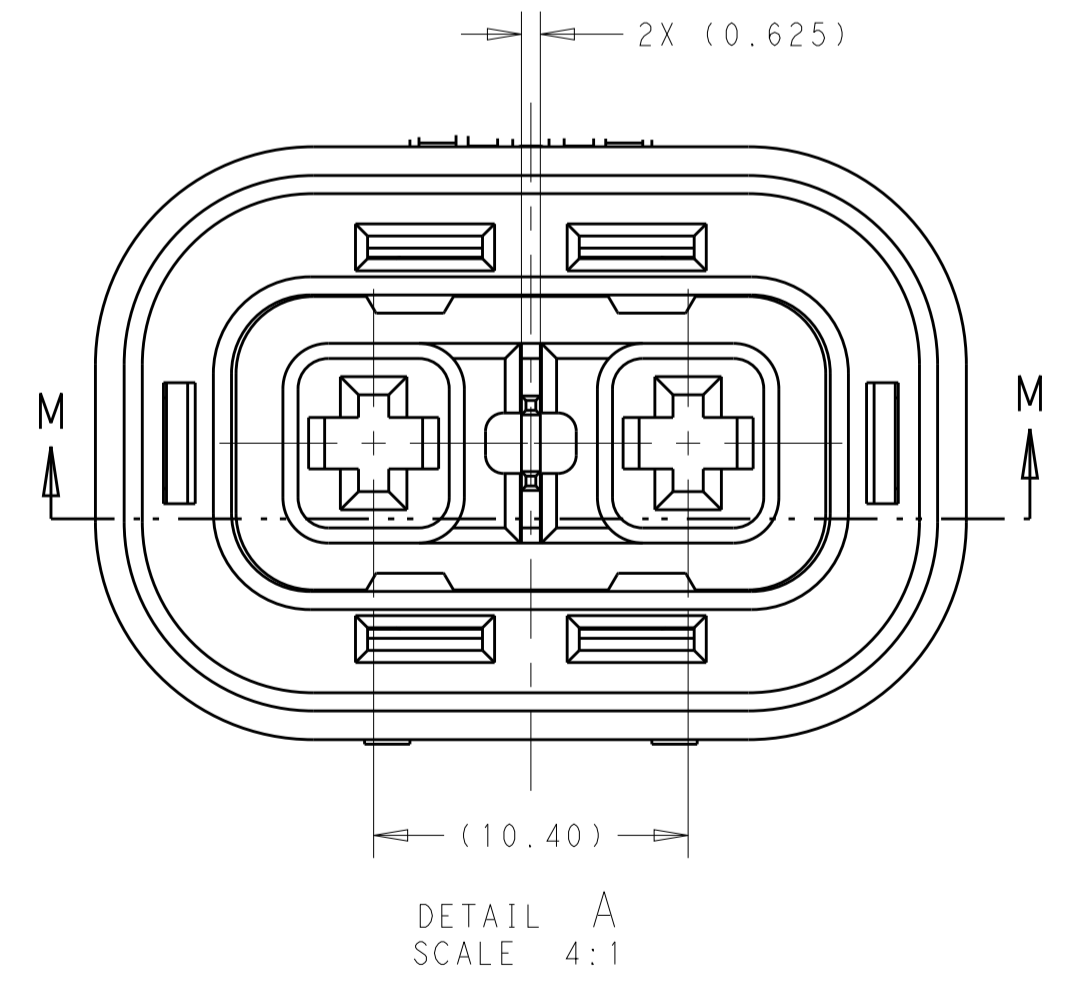
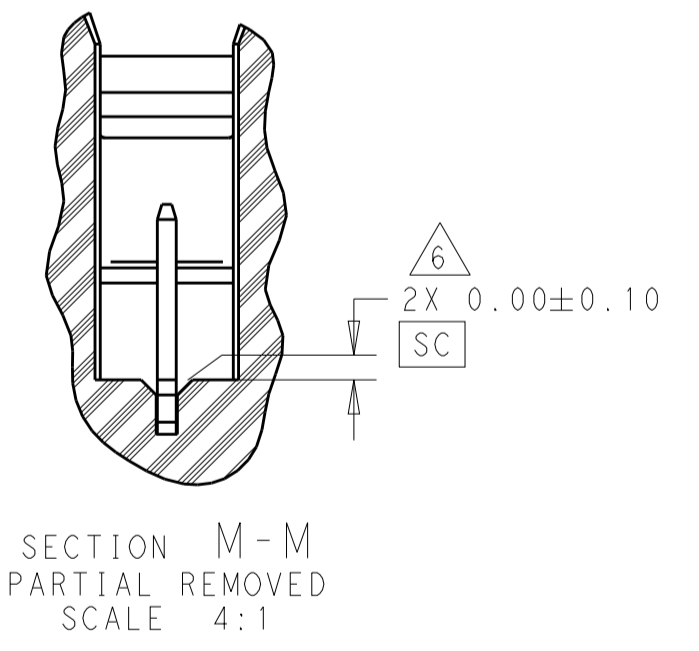
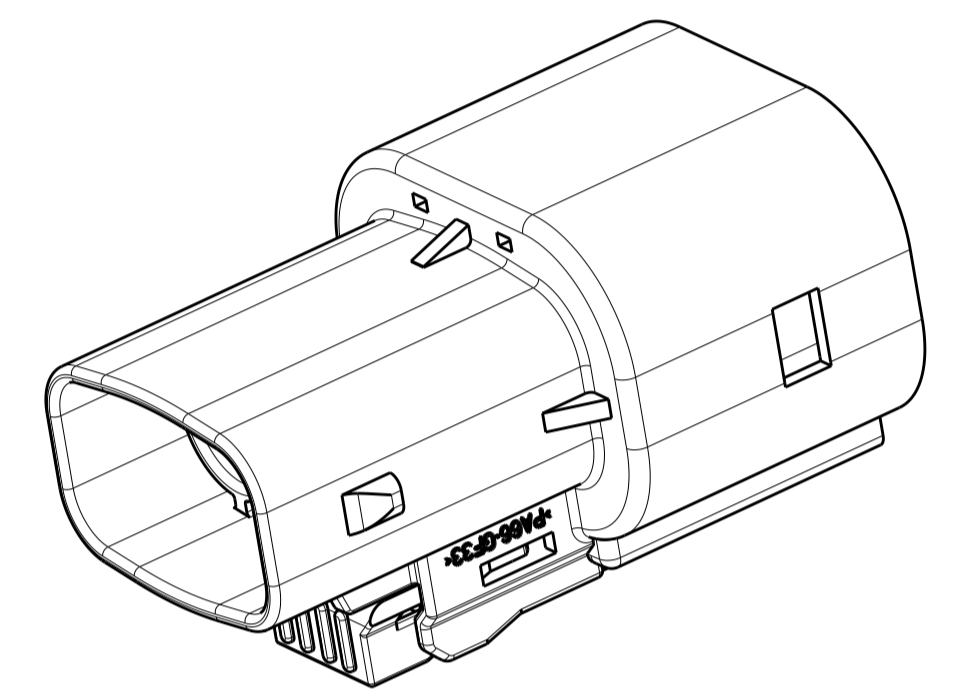
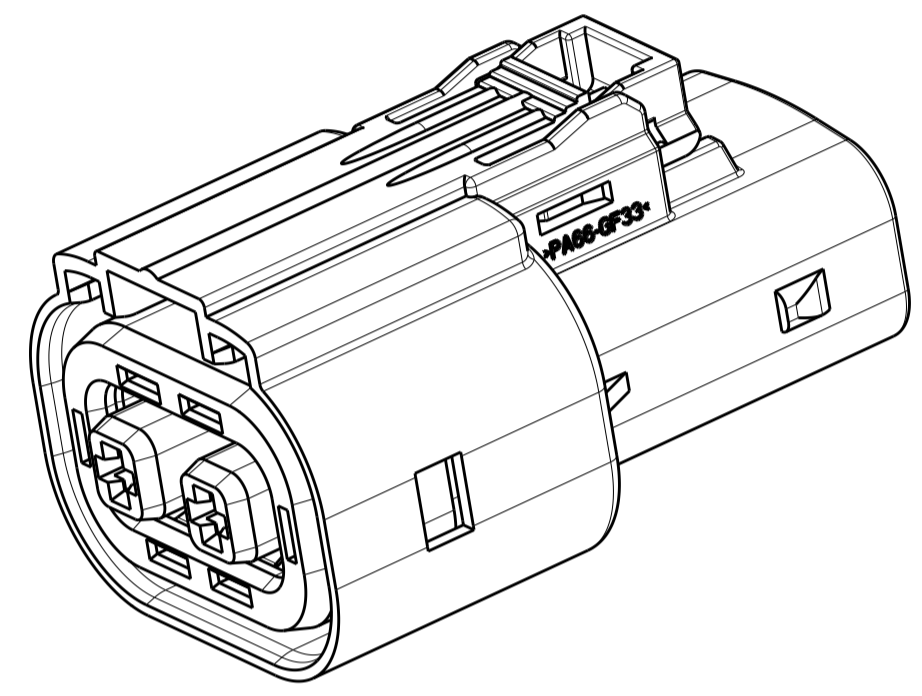
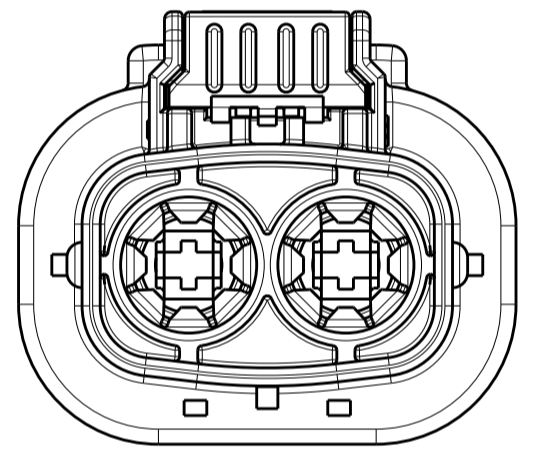
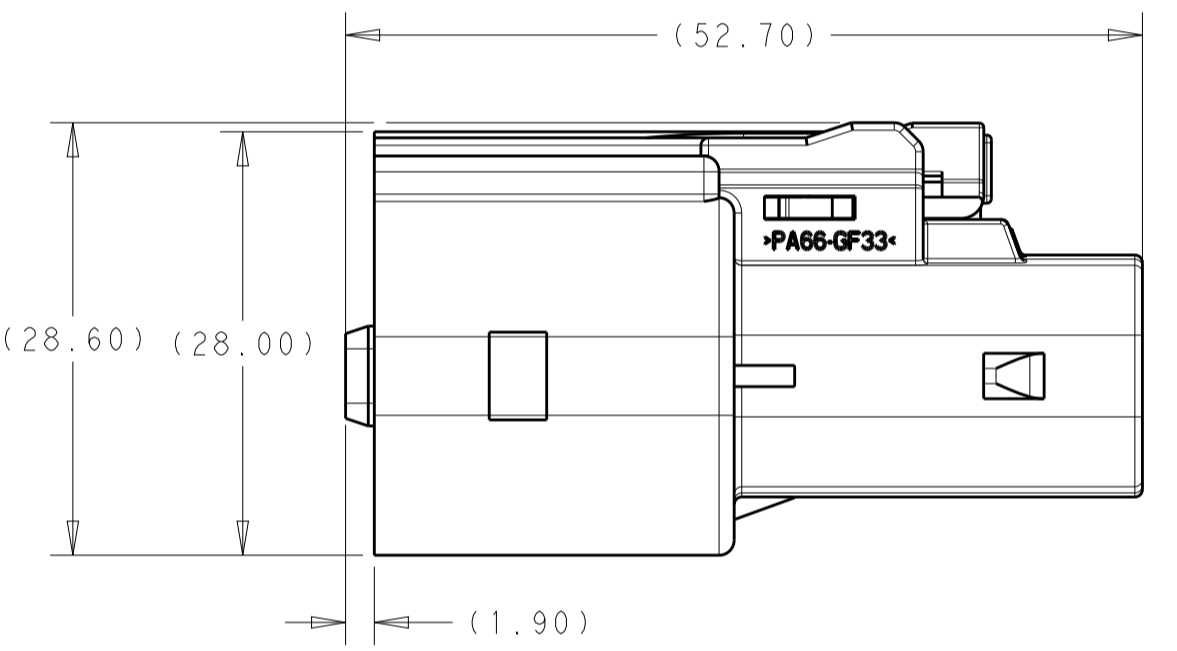
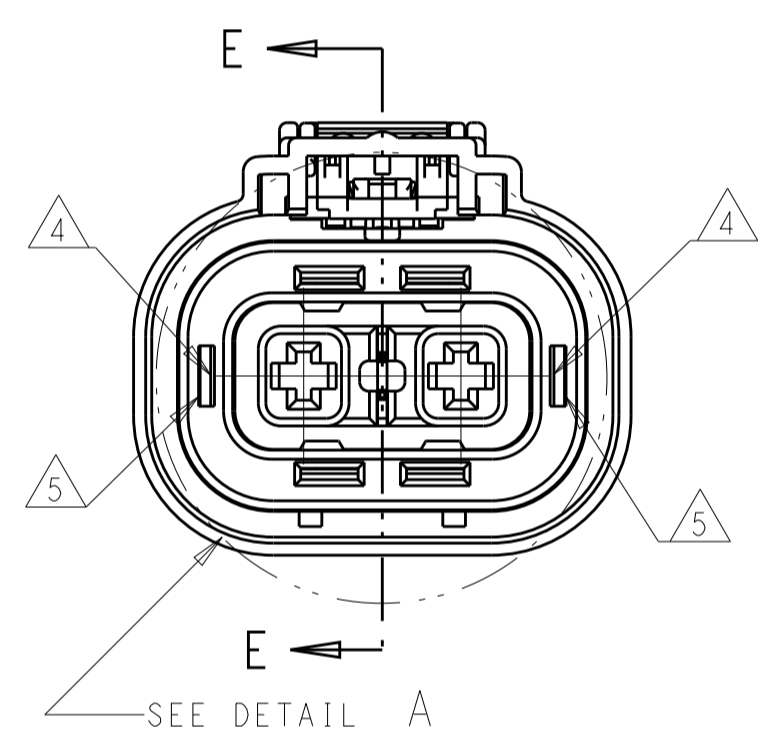
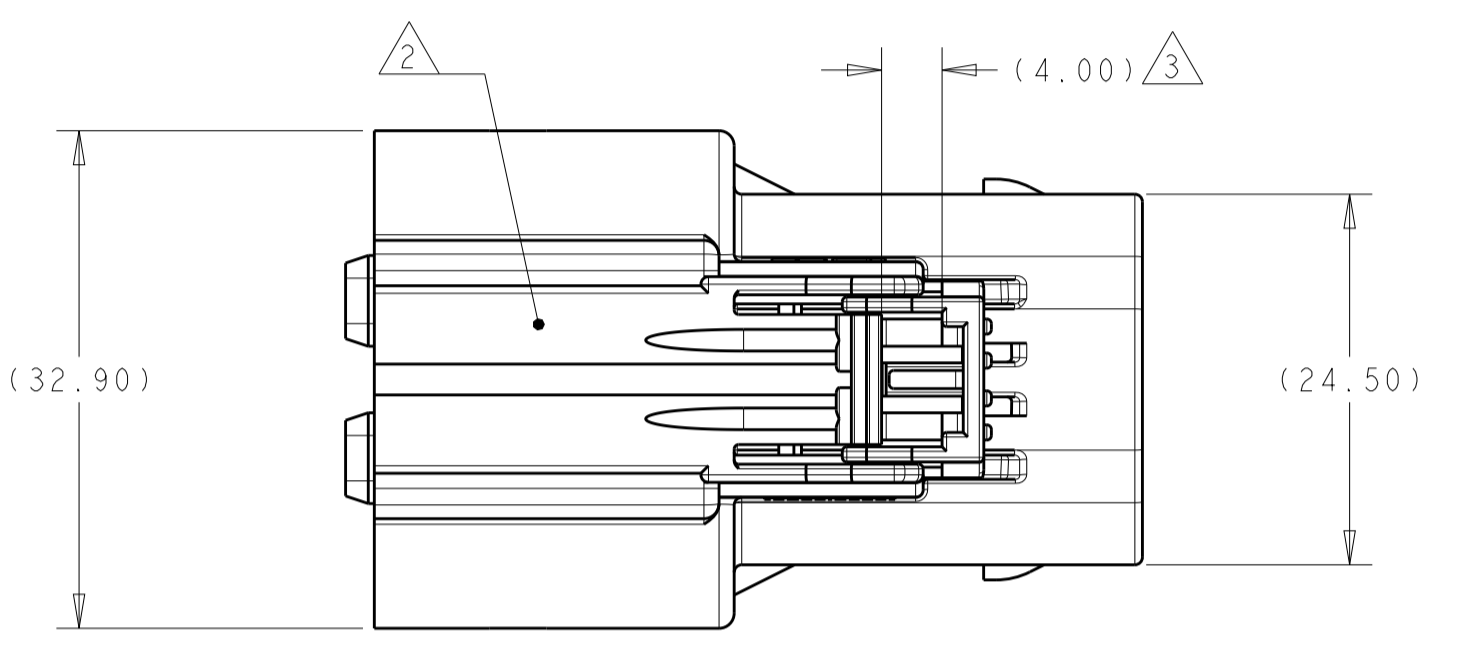
KEY E
2103628-5



KEY F
2103628-6



KEY G
2103628-7



1. CONNECTOR MUST BE FREE OF ANY MECHANICAL DEFECTS WHICH MAY AFFECT FIT, FORM, OR PERFORMANCE
2. PART NUMBER AND JULIAN DATE CODE MARKED IN THIS AREA
3. CPA MUST BE INSTALLED IN PRE-STAGE POSITION AS SHOWN.
4. INNER HOUSING SUB ASSEMBLY MUST BE FULLY LOCKED PRIOR TO ASSEMBLY IN TWO LOCATIONS INTO OUTER HOUSING. INSPECTION PRIOR TO ASSEMBLY OF PERIPHERAL SEAL RETAINER PERMITTED
5. PERIPHERAL SEAL RETAINER MUST BE FULLY LOCKED IN TWO LOCATIONS INTO OUTER HOUSING.
6. MEASURE EACH STAMPING SHOULDER FLUSH CONDITION TO NEIGHBORING PLASTIC SURFACE
7. NOTE DELETED

| DESCRIPTION | PART NO |
|----------------------------------|-----------|
| PLUG ASSY, KEY G, HVA280-2PHI SE | 2103628-7 |
| PLUG ASSY, KEY F, HVA280-2PHI SE | 2103628-6 |
| PLUG ASSY, KEY E, HVA280-2PHI SE | 2103628-5 |
| PLUG ASSY, KEY D, HVA280-2PHI SE | 2103628-4 |
| PLUG ASSY, KEY B, HVA280-2PHI SE | 2103628-2 |
| PLUG ASSY, KEY A, HVA280-2PHI SE | 2103628-1 |

THIS DRAWING IS A CONTROLLED DOCUMENT.

| | | | |
|-------------|--|------------------|-------------------------------|
| DIMENSIONS: | TOLERANCES UNLESS OTHERWISE SPECIFIED: | OWN. 09APR2014 | CHK. VISHWA, A |
| mm | 0 PLC ±0.2 | 06MAY2014 | D. SIMPSON |
| | 1 PLC ±0.10 | APVD. A TYLER | 06MAY2014 |
| | 2 PLC ±0.013 | PRODUCT SPEC | |
| | 3 PLC ±0.0001 | APPLICATION SPEC | |
| | ANGLES ±1 | SIZE | CAGE CODE DRAWING NO |
| MATERIAL | FINISH | RESTRICTED TO | |
| | | A1 | C=2103628 |
| | | Customer Drawing | SCALE 2:1 SHEET 1 OF 1 REV A1 |

TE Connectivity
STE
 PLUG ASSY, HVA280-2PHI SE