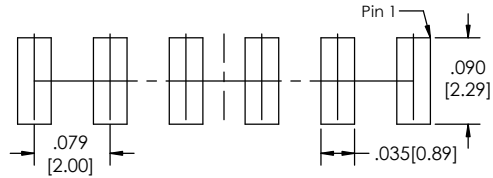


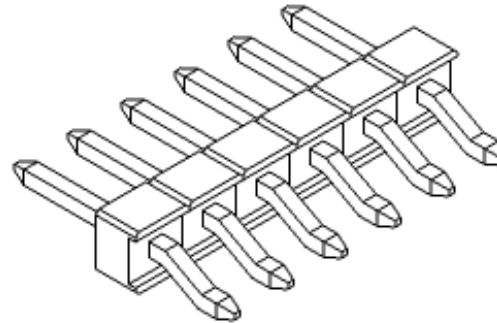
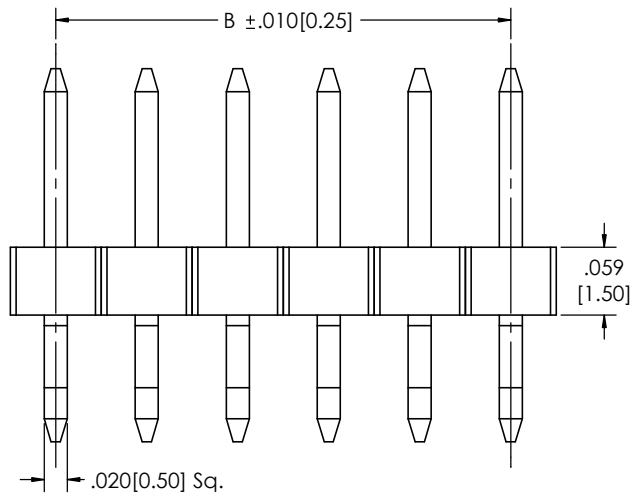
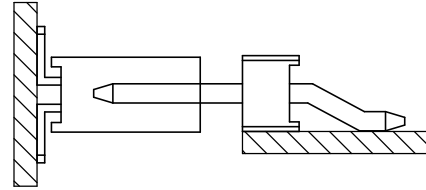
Recommended P.C. Board Layout

SCALE 10:1

General Tolerance .002[0.05]



APPLICATION



BLTSM-2 **XX** - **S** - **F** - **H** - **XX** - **X** - **LF**
(A) **(B)** **(C)** **(D)** **(E)** **(F)** **(G)**

- A. Pins Per Row
- 2 through 6
- B. Row Specification
- S= Single Row
- C. Plating Options
- See Plating Options below
- D. Horizontal Surface Mount
- E. Packaging Option
- TR= Tape and Reel
- TB= Tube
- F. Pad
- P= Plastic
- K= Kapton
- O= No Pad
- G. Lead Free

Mates With:
 BLSR-2
 BLSM-2
 BLSHSM-2

Plating options	
F	Gold Flash over Entire Pin

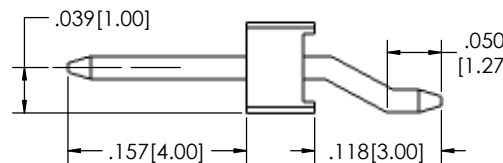
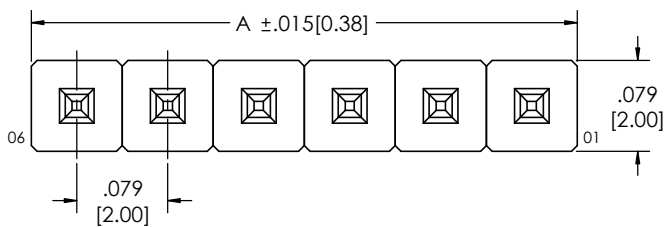
Specifications:
 Current Rating: 2.0 Ampere
 Insulation Resistance: 1000M Ohms Min.
 Dielectric Withstanding: 500V AC
 Contact Resistance: 20M Ohms Max.
 Operation Temperature: -40°C to +105°C
 Max. Process Temperature
 Peak: 260°C up to 20 secs.
 Process: 230°C up to 60 secs.
 Wave: 260°C up to 6 secs.
 Manual Solder: 350°C up to 5 secs.

Dimensions		
Contacts	A	B
02	0.157[4.00]	0.079[2.00]
03	0.236[6.00]	0.157[4.00]
04	0.315[8.00]	0.236[6.00]
05	0.394[9.99]	0.315[8.00]
06	0.472[11.99]	0.394[9.99]

Materials:
 Contact Material: Brass
 Insulator Material: Thermoplastic, UL94V-0, PBT
 Plating: Gold Flashed over entire pin
 Color: White

Tails may be clipped to achieve specific dimensions

Products cut to specific sizes are uncancellable/ nonreturnable.
 Parts are subject to change without notice.



PROPRIETARY AND CONFIDENTIAL
 THE INFORMATION CONTAINED IN THIS DRAWING IS THE SOLE PROPERTY OF Major League Electronics. ANY REPRODUCTION IN PART OR AS A WHOLE WITHOUT THE WRITTEN PERMISSION OF Major League Electronics IS PROHIBITED.

UNLESS OTHERWISE SPECIFIED:		NAME DATE		
DIMENSIONS ARE IN INCHES		DRAWN	EOW 03/28/14	
TOLERANCES:		CHECKED	GWE 03/28/14	
ONE DECIMALS ±.100		ENG APPR.		
TWO DECIMAL ±.010		MFG APPR.		ADDRESS:
THREE DECIMAL ±.005		INTERPRET GEOMETRIC TOLERANCING PER:		2533 Centennial Blvd.
FOUR DECIMAL ±.002		MATERIAL:		Jeffersonville, IN 47130
NEXT ASSY USED ON		FINISH:		Phone: 812-670-4174
APPLICATION		DO NOT SCALE DRAWING		Fax: 812-670-4175
				E-Mail: mle@mlelectronics.com
				TITLE: BLTSM-2-H SERIES
				SIZE DWG. NO. C
				REV B
				SCALE 12:1 SHEET 1 OF 1