

CABLE 379 RF: I-PEX MHF TO RP SMA S/T BULKHEAD JACK WITH O-RING RATED TO IP67/68 TO MULTIPLE CABLE SIZES, 6GHz

SPECIFICATIONS:

1. I-PEX MHF PLUG, P/N: 20278-112R-13.
2. COAXIAL CABLE, SEE P/N OPTIONS.
3. SMA STRAIGHT BULKHEAD JACK WITH O-RING RATED TO IP67/68, P/N: RFCT-SMA071-F78.

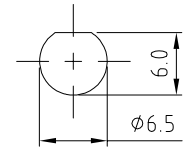
ENVIRONMENTAL:

- A. BULKHEAD MOUNTED CONNECTOR (RFCT-SMA071-F78) RATED TO THE FOLLOWING SPECIFICATION:
- i. IP6X - DUST TIGHT - NO PARTICLE INGRESS.
  - ii. IPX7 WATERPROOF FOR 30 MINUTES UP TO 1 METER UNDERWATER.
  - iii. IPX8 WATERPROOF FOR 48 HOURS AT 1 METER UNDERWATER.

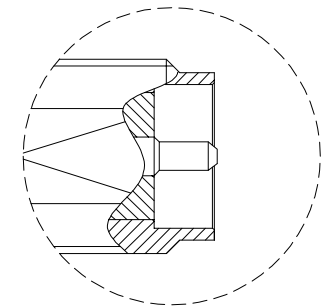
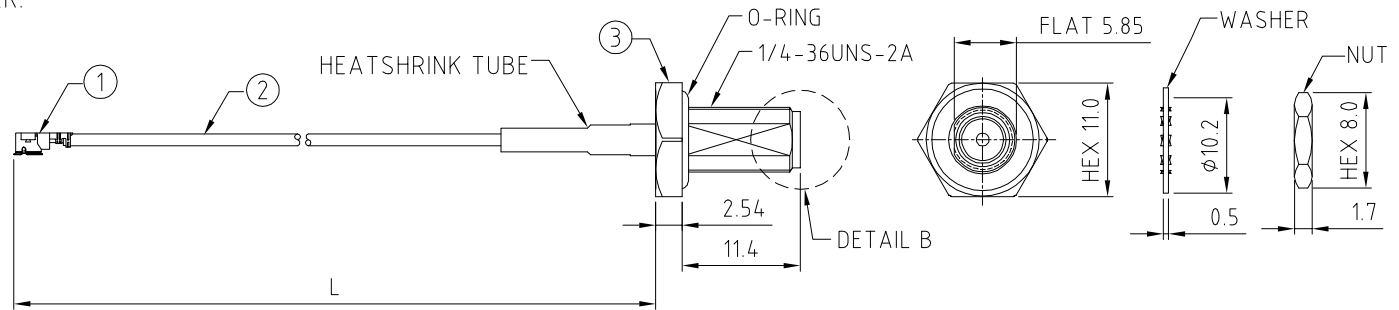
NOTES:

1. THE ORIENTATION OF CONNECTORS ON DRAWING IS FOR REFERENCE ONLY, IF THE ORDER IS LEFT BLANK THE CONNECTOR WILL NOT HAVE FIXED ORIENTATION.
2. FIXED ORIENTATION IS SUGGESTED FOR CABLE LENGTH 50MM TO 100MM. PLEASE SPECIFY THE FIXED ORIENTATIONS FROM THE ORDER CODE (F1, F2, ETC)
3. CONTACT GRADCONN IF THE ORIENTATION YOU REQUIRE IS NOT SHOWN.
4. WORKING FREQUENCY RANGE: DC-6GHz.
5. OPERATING TEMPERATURE: -40°C~+85°C.
6. IMPEDANCE: 50 Ohm.

**USAGE PRECAUTIONS: CABLES USING 'MICRO' COAX ARE DELICATE:**  
 (i) HANDLE WITH CARE.  
 (ii) DO NOT TWIST; APPLY EXCESSIVE FORCES OR SHARP BENDS TO THE CABLE. DO NOT FORCEFULLY DEFORM WIRES.  
 (iii) CONSULT CONNECTOR MANUFACTURER'S DATASHEETS FOR DETAILED NOTES ON HANDLING INSTRUCTIONS.



RECOMMENDED SMA MOUNTING HOLE



DETAIL B SCALE 3:1

HOW TO ORDER

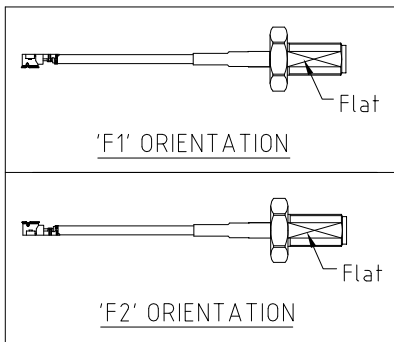
CABLE 379 RF - XXX - XX - X - X

"L" LENGTH IN MM:  
 eg: 100MM = 100  
 (MIN. 050-MAX.400  
 STANDARD = 100, 150, 200)  
 Tolerance: 50-200mm: ±5mm.  
 201-400mm: ±7mm.

CABLE SIZE OPTIONS:  
 1 = Ø1.13MM CABLE, COLOR: GREY  
 2 = Ø1.13MM LOW LOSS CABLE, COLOR: GREY

WASHER AND NUT OPTIONS:  
 BLANK = SEPARATELY PACKED (STANDARD)  
 A = ASSEMBLED WITH CONNECTOR

ORIENTATION OPTIONS:  
 BLANK = DOES NOT HAVE A FIXED ORIENTATION  
 F1 = MHF CONNECTION DOWN (L=50-200MM)  
 F2 = MHF CONNECTION UP (L=50-200MM)  
 (SEE NOTES 1, 2, 3 AND DIAGRAMS FOR MORE INFORMATION)



REV. DATE & DRN
10 19/02/20 - LC RELEASE
11 28/04/20 - NYW
12 15/06/20 - NYW
13 14/07/20 - NYW
14 14/07/20 - NYW
ADD NOTE 1
ADD OPERATING TEMP.

Scale: NTS	THIRD ANGLE	Unstated X .XX .XXX ANGLES	Tolerances: N/A N/A N/A N/A
Drawn: CC			
App'd: XXX	Title CABLE ASSEMBLY		
Date: 14 JUL '20	Revision: 1.3	Unit: mm	



IP67/68 Rated Cables

www.gradconn.com

THIS DRAWING IS CONFIDENTIAL AND MUST NOT BE COPIED OR DISCLOSED WITHOUT WRITTEN CONSENT

Type: Cable 379 RF
CABLE 379 RF
Drawing Number:
Sheet 1 of 1
Drawing © E and O E