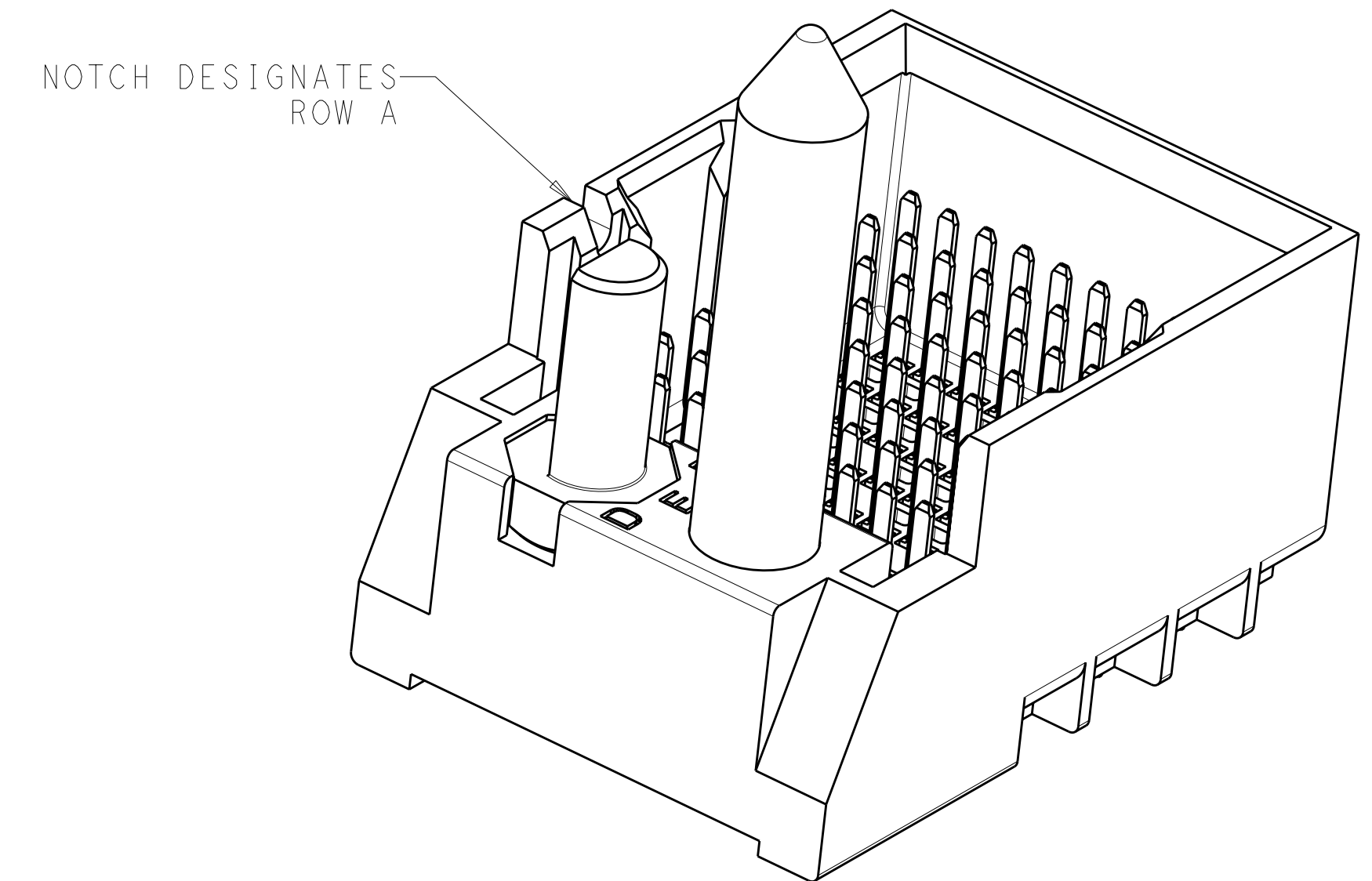
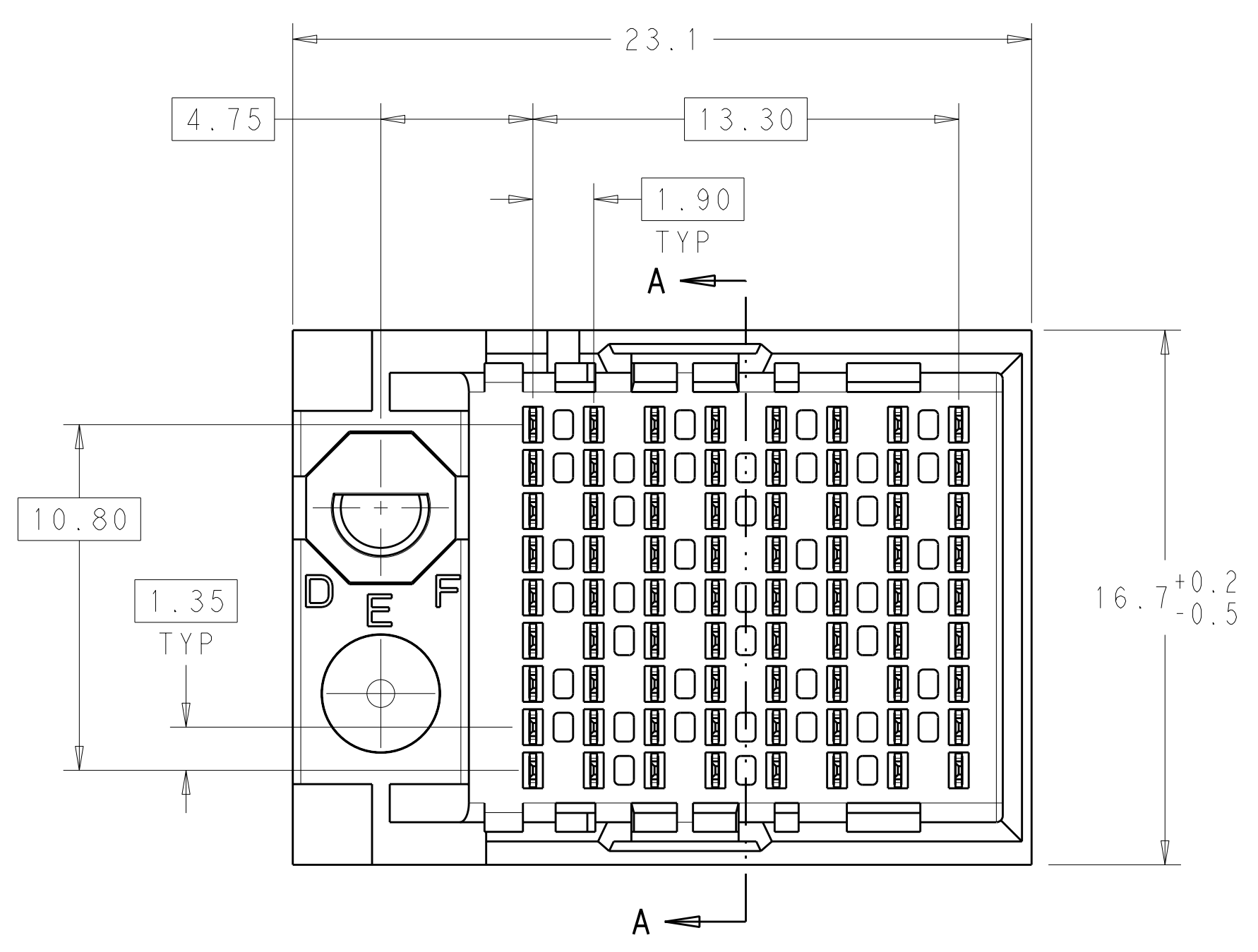
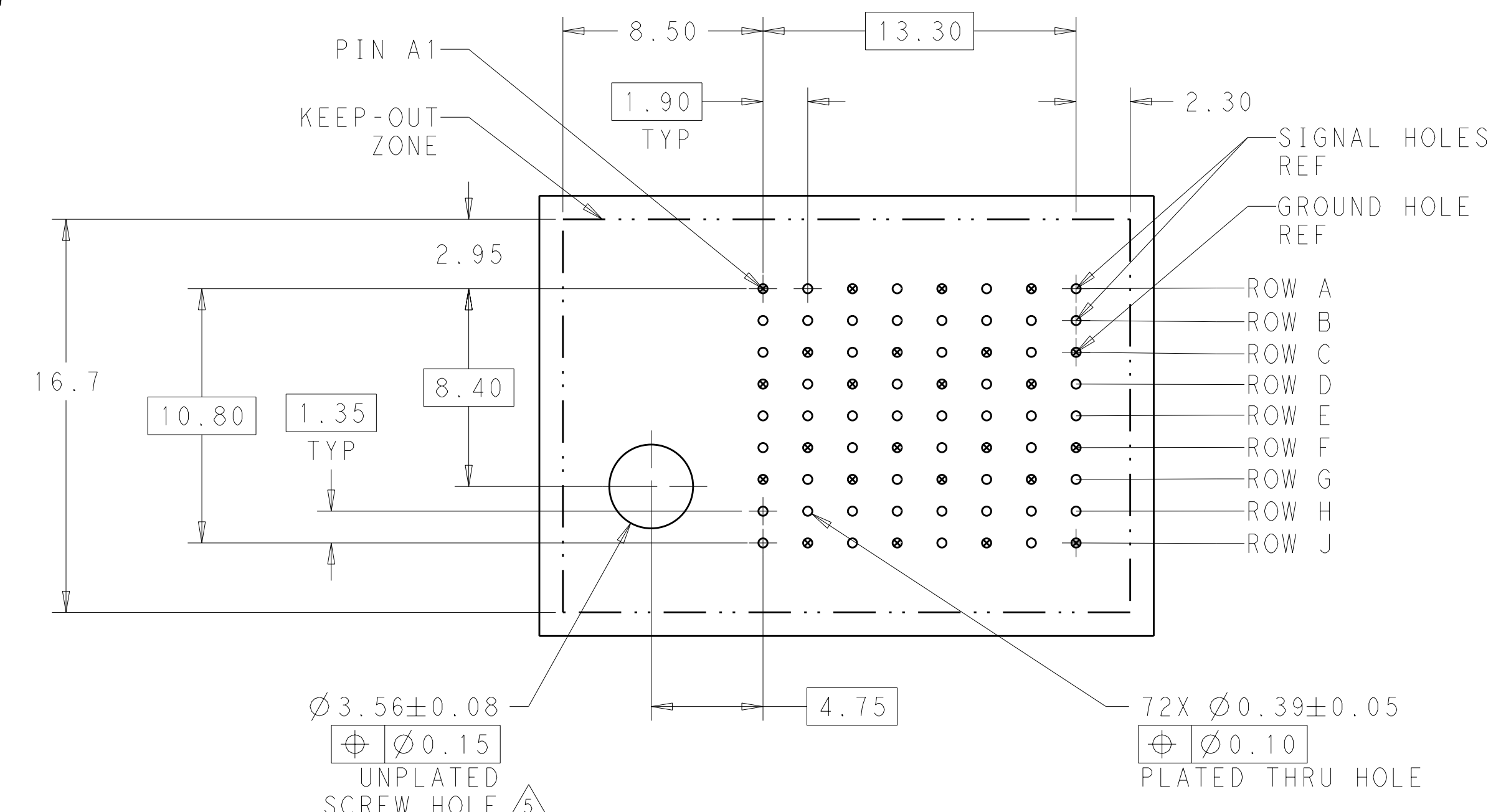


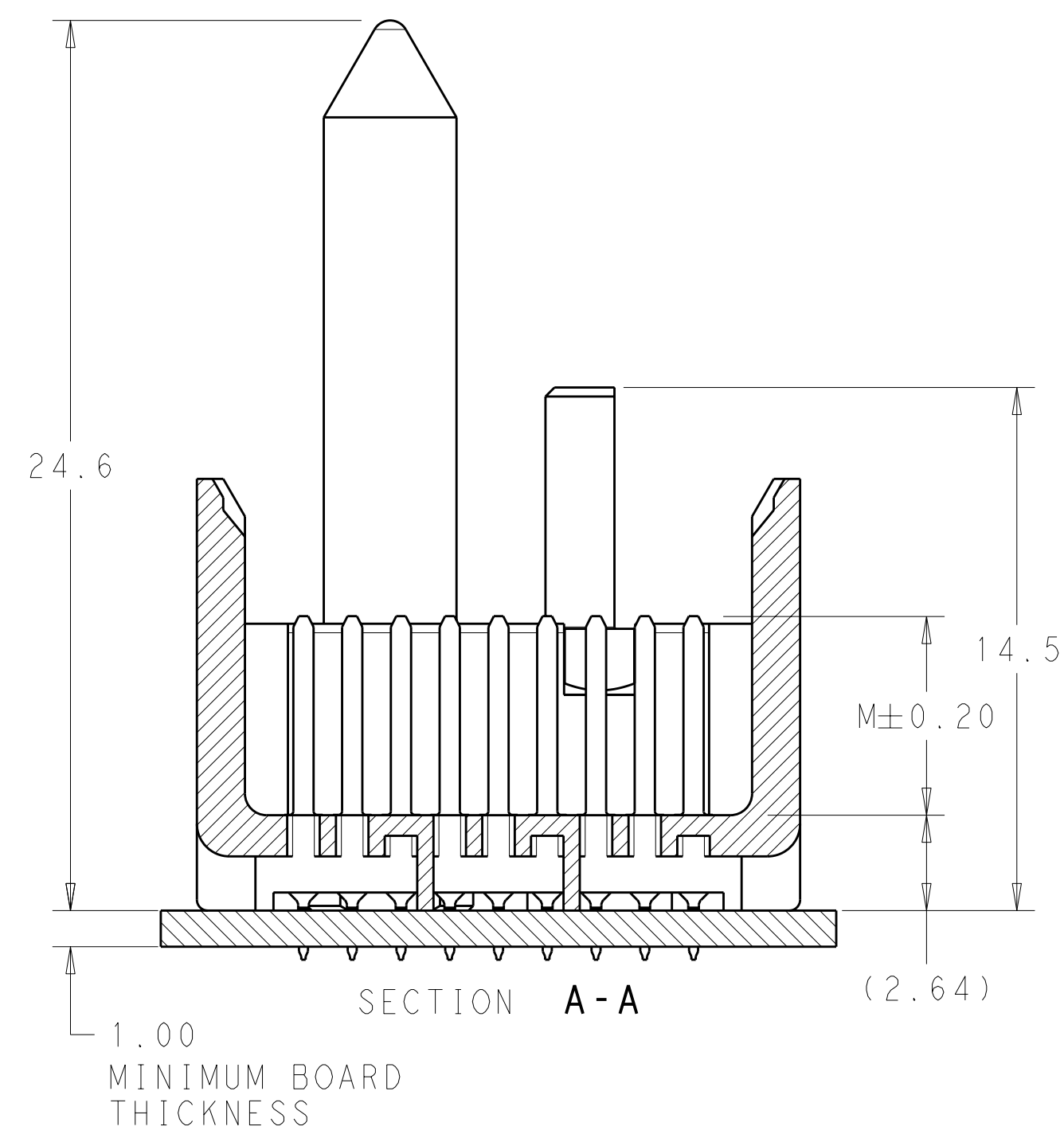
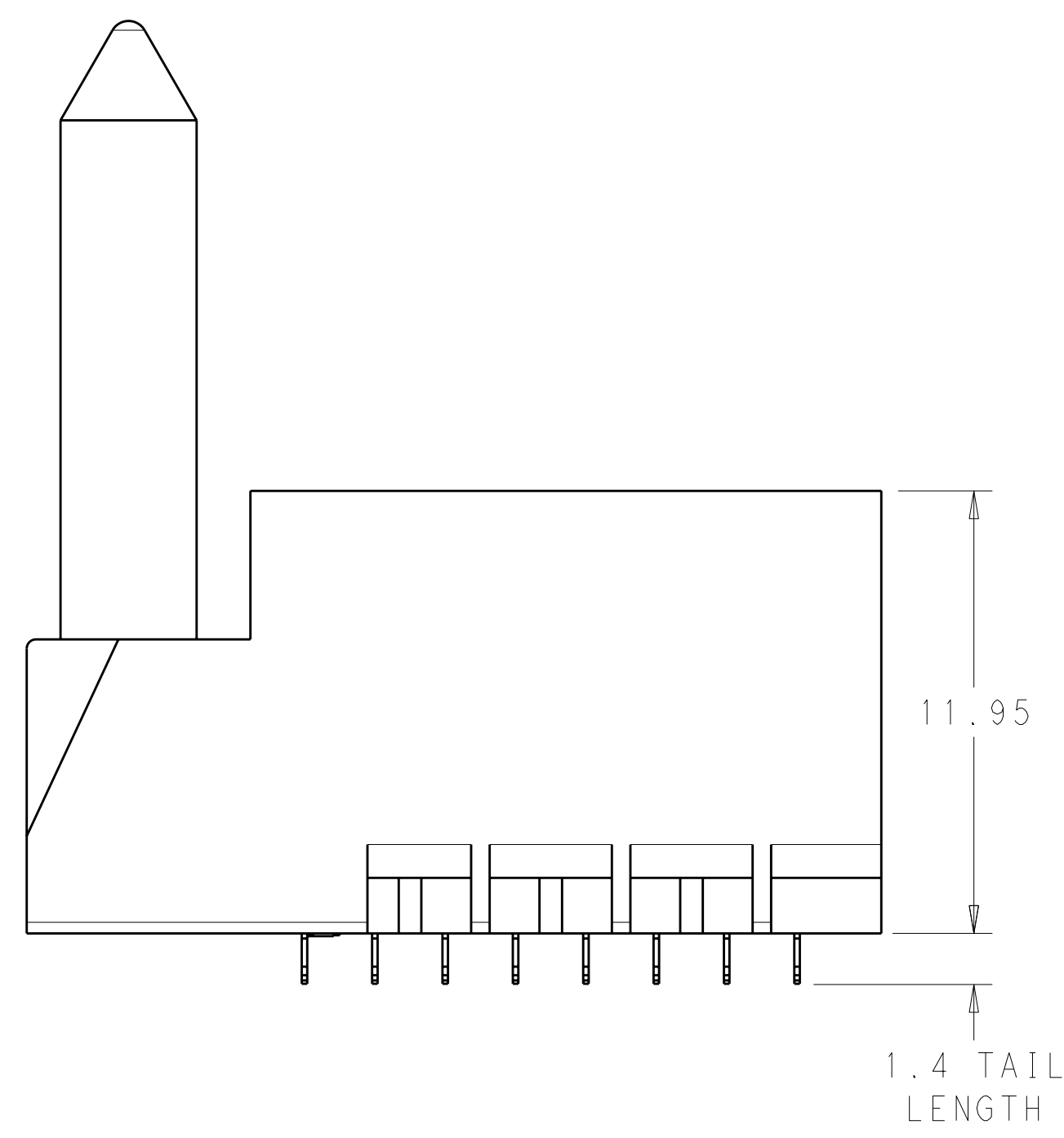
LOC	DIST	REV	DATE	BY	APPD
AD	00	C	05JAN12	KH	DY
REVISIONS			DESCRIPTION	DATE	DWN
			REVISD PER ECO-11-025276		



- 1 MATERIAL:
HOUSING: LCP, GLASS FILLED, UL94V-0.
TERMINALS: HIGH PERFORMANCE COPPER ALLOY.
- 2 FINISH:
30μ" MIN GOLD IN CONTACT AREA. SELECTIVE TIN ON PCB TAILS, NICKEL OVERALL.
- 3 FINISH:
30μ" MIN GOLD IN CONTACT AREA. SELECTIVE TIN-LEAD ON PCB TAILS, NICKEL OVERALL.
- 4. SCREWS PACKAGED IN END OF PACKAGING TUBE.
- 5 FOR GROUNDED GUIDE PIN USE Ø3.56±0.08 PTH, Ø3.66 DRILL, AND Ø6.5 PAD.
- 6. KEYING PIN SHOWN IN POSITION A. SEE KEYING CHART ON SHEET 2 FOR OTHER POSITIONS.



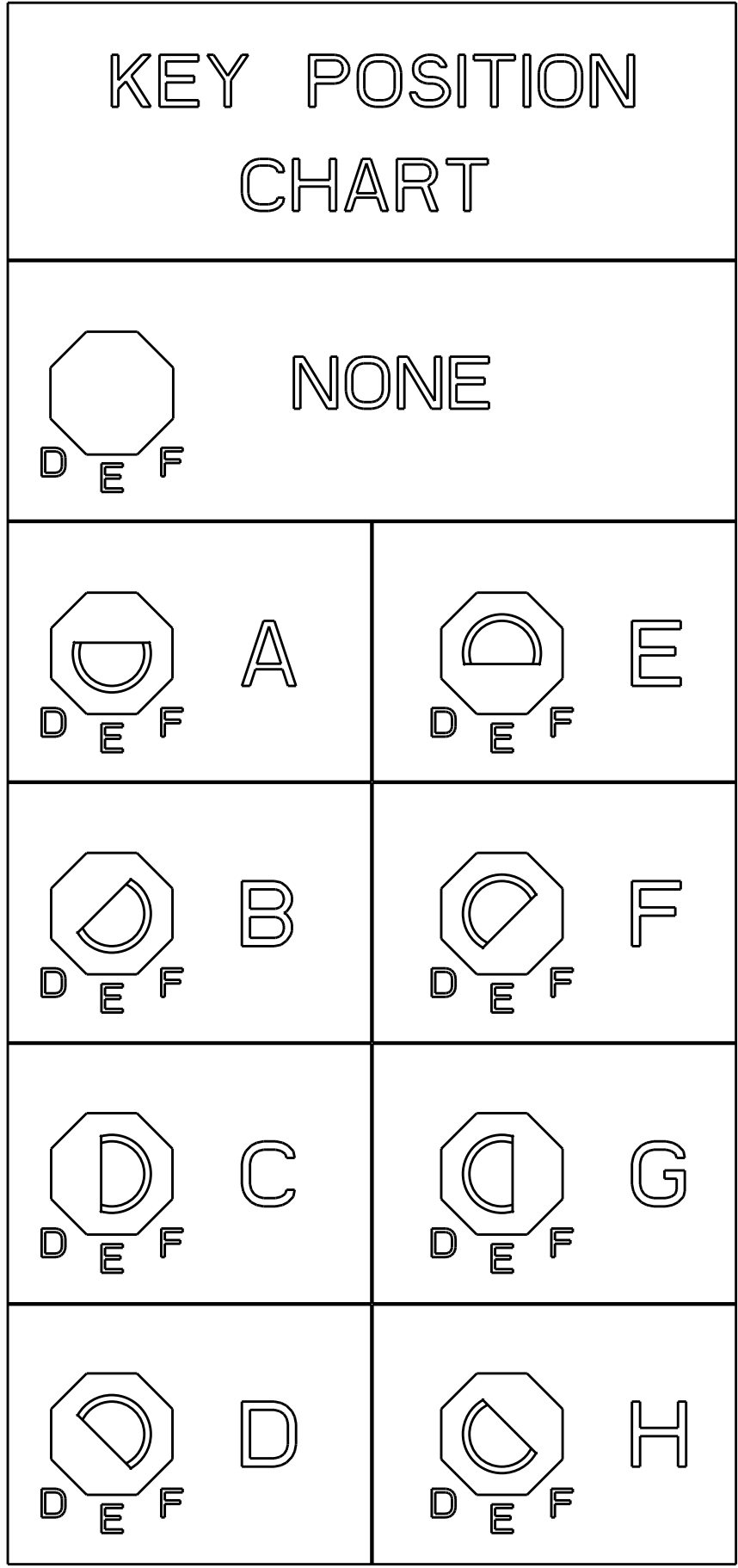
LEFT GUIDED BACKPLANE HOLE PATTERN (CONNECTOR SIDE)



THIS DRAWING IS A CONTROLLED DOCUMENT.		DWN	J. K. SHOBER	11JAN2011
DIMENSIONS:		CHK	J. EABY	11JAN2011
mm	9 PLC ±	APVD	J. EABY	11JAN2011
	1 PLC ±0.25	PRODUCT SPEC		
	2 PLC ±0.13	APPLICATION SPEC		
	3 PLC ±	MATERIAL		
	4 PLC ±	FINISH		
	ANGLES ±	SEE TABLE		
MATERIAL	FINISH	SEE TABLE		
CUSTOMER DRAWING		SCALE	6:1	SHEET 1 OF 2
NAME		IMPACT, 3 PAIR, 8 COLUMN, HEADER LEFT GUIDED, RIGHT END WALL SIGNAL MODULE, 0.39 PTH		
SIZE		A100779C=2057755		
RESTRICTED TO		REV C		

LOC		DIST		REVISIONS			
AD	00	P	LTB	DESCRIPTION	DATE	DWN	APVD
				SEE SHEET 1			

3	H	5.5	8-2057755-6
3	H	4.9	8-2057755-5
3	H	4.5	8-2057755-4
2	H	5.5	8-2057755-3
2	H	4.9	8-2057755-2
2	H	4.5	8-2057755-1
3	G	5.5	7-2057755-6
3	G	4.9	7-2057755-5
3	G	4.5	7-2057755-4
2	G	5.5	7-2057755-3
2	G	4.9	7-2057755-2
2	G	4.5	7-2057755-1
3	F	5.5	6-2057755-6
3	F	4.9	6-2057755-5
3	F	4.5	6-2057755-4
2	F	5.5	6-2057755-3
2	F	4.9	6-2057755-2
2	F	4.5	6-2057755-1
3	E	5.5	5-2057755-6
3	E	4.9	5-2057755-5
3	E	4.5	5-2057755-4
2	E	5.5	5-2057755-3
2	E	4.9	5-2057755-2
2	E	4.5	5-2057755-1
3	D	5.5	4-2057755-6
3	D	4.9	4-2057755-5
3	D	4.5	4-2057755-4
2	D	5.5	4-2057755-3
2	D	4.9	4-2057755-2
2	D	4.5	4-2057755-1
3	C	5.5	3-2057755-6
3	C	4.9	3-2057755-5
3	C	4.5	3-2057755-4
2	C	5.5	3-2057755-3
2	C	4.9	3-2057755-2
2	C	4.5	3-2057755-1
3	B	5.5	2-2057755-6
3	B	4.9	2-2057755-5
3	B	4.5	2-2057755-4
2	B	5.5	2-2057755-3
2	B	4.9	2-2057755-2
2	B	4.5	2-2057755-1
3	A	5.5	1-2057755-6
3	A	4.9	1-2057755-5
3	A	4.5	1-2057755-4
2	A	5.5	1-2057755-3
2	A	4.9	1-2057755-2
2	A	4.5	1-2057755-1
3	-	5.5	2057755-6
3	-	4.9	2057755-5
3	-	4.5	2057755-4
2	-	5.5	2057755-3
2	-	4.9	2057755-2
2	-	4.5	2057755-1
FINISH	KEY POSITION	DIM M	PART NUMBER



REFER TO WWW.TE.COM
FOR PRODUCT AVAILABILITY

THIS DRAWING IS A CONTROLLED DOCUMENT.		DWN J. K. SHOBER 11JAN2011	STE TE Connectivity												
DIMENSIONS: mm		CHK J. EARY 11JAN2011													
TOLERANCES UNLESS OTHERWISE SPECIFIED:		APVD J. EARY 11JAN2011	NAME IMPACT, 3 PAIR, 8 COLUMN, HEADER LEFT GUIDED, RIGHT END WALL SIGNAL MODULE, 0.39 PTH												
<table border="1" style="font-size: 8px;"> <tr><td>9 PLC</td><td>±</td></tr> <tr><td>8 PLC</td><td>±0.25</td></tr> <tr><td>5 PLC</td><td>±0.13</td></tr> <tr><td>4 PLC</td><td>±</td></tr> <tr><td>ANGLES</td><td>±</td></tr> <tr><td>FINISH</td><td>±</td></tr> </table>		9 PLC	±	8 PLC	±0.25	5 PLC	±0.13	4 PLC	±	ANGLES	±	FINISH	±	PRODUCT SPEC	SIZE CAGE CODE DRAWING NO RESTRICTED TO
9 PLC	±														
8 PLC	±0.25														
5 PLC	±0.13														
4 PLC	±														
ANGLES	±														
FINISH	±														
MATERIAL -		APPLICATION SPEC	A100779C=2057755												
SEE TABLE		WEIGHT -	SCALE 5:1 SHEET 2 OF 2 REV C												
		CUSTOMER DRAWING													