

LQ150X1LGN2A

TFT-LCD Module

Spec. Issue Date: Aug. 29, 2005

No: LD-16823

PREPARED BY : DATE

SHARP

SPEC No. LD-16823

FILE No.

ISSUE : Aug.29.2005

PAGE : 24 pages

APPROVED BY : DATE

Mobile Liquid Crystal Display GROUP
SHARP CORPORATION

APPLICABLE GROUP

Mobile Liquid Crystal Display
Group

SPECIFICATION

DEVICE SPECIFICATION

TFT-LCD Module

MODEL

LQ150X1LGN2A

These parts have corresponded with the RoHS directive.

CUSTOMER: SMA

CUSTOMER'S APPROVAL

DATE _____

BY _____

PRESENTED

BY *K. Shiono*

K.SHIONO

Department General Manager

Engineering Department 7

MOBIL LCD DESIGN CENTER 1

MOBIL LIQUID CRYSTAL DISPLAY GROUP

SHARP Corporation

1. Application

This specification applies to the color 15.0 XGA TFT-LCD module LQ150X1LGN2A.

- ⊙ This specification are the proprietary product of SHARP CORPORATION("SHARP) and include materials protected under copyright of SHARP. Do not reproduce or cause any third party to reproduce them in any form or by any means, electronic or mechanical, for any purpose, in whole or in part, without the express written permission of SHARP.
- ⊙ The device listed in this technical literature was designed and manufactured for use in OA equipment.
- ⊙ In case of using the device for applications such as control and safety equipment for transportation(aircraft, trains, automobiles, etc.), rescue and security equipment and various safety related equipment which require higher reliability and safety, take into consideration that appropriate measures such as fail-safe functions and redundant system design should be taken.
- ⊙ Do not use the device for equipment that requires an extreme level of reliability, such as aerospace applications, telecommunication equipment(trunk lines), nuclear power control equipment and medical or other equipment for life support.
- ⊙ SHARP assumes no responsibility for any damage resulting from the use of the device which does not comply with the instructions and the precautions specified in these specification sheets.
- ⊙ Contact and consult with a SHARP sales representative for any questions about this device.

2. Overview

This module is a color active matrix LCD module incorporating amorphous silicon TFT (Thin Film Transistor). It is composed of a color TFT-LCD panel, driver ICs, control circuit, power supply circuit and a back light unit. Graphics and texts can be displayed on a 1024× RGB× 768 dots panel with about 16 million colors by using LVDS (Low Voltage Differential Signaling) and supplying +3.3V DC supply voltages for TFT-LCD panel driving and supply voltage for backlight.

3. Mechanical Specifications

| Parameter | Specifications | Unit |
|----------------------------|---|-------|
| Display size | 38 (Diagonal) | cm |
| | 15.0 (Diagonal) | Inch |
| Active area | 304.1 (H)× 228.1 (V) | mm |
| Pixel format | 1024 (H)× 768 (V) | Pixel |
| | (1 pixel = R+G+B dots) | |
| Pixel pitch | 0.297 (H)× 0.297 (V) | mm |
| Pixel configuration | R, G, B vertical stripe | |
| Display mode | Normally white | |
| Unit outline dimensions *1 | 326.0(W)× 252.0(H)× 11.5(D) | mm |
| Mass | 1100 (MAX) | g |
| Surface treatment | Anti-glare and hard-coating 2H (Haze value = 28) | |

*1.Note: excluding back light cables, cover and pet sheet.

The thickness of module (D) doesn't contain the projection.

Outline dimensions are shown in Fig.1.

4. Input Terminals

4-1. TFT-LCD panel driving

CN1 (Interface signals and +3.3V DC power supply)

Using connectors : DF14H-20P-1.25H (Hirose Electric Co., Ltd.)

Corresponding connectors : DF14-20S-1.25C(Connector)
DF14-2628SCFA(Terminal)

Corresponding LVDS Transmitter : THC63LVDM83R(Thine) or compatible

| Pin No. | Symbol | Function | Remark |
|---------|----------|---------------------|----------------|
| 1 | Vcc | +3.3V Power supply | |
| 2 | Vcc | +3.3V Power supply | |
| 3 | GND | | |
| 4 | GND | | |
| 5 | RXIN0- | Receiver signal (-) | LVDS |
| 6 | RXIN0+ | Receiver signal (+) | LVDS |
| 7 | GND | | |
| 8 | RXIN1- | Receiver signal (-) | LVDS |
| 9 | RXIN1+ | Receiver signal (+) | LVDS |
| 10 | GND | | |
| 11 | RXIN2- | Receiver signal (-) | LVDS |
| 12 | RXIN2+ | Receiver signal (+) | LVDS |
| 13 | GND | | |
| 14 | RXCKIN- | Clock signal (-) | LVDS |
| 15 | RXCKIN+ | Clock signal (+) | LVDS |
| 16 | GND | | |
| 17 | RXIN3- | Receiver signal (-) | LVDS |
| 18 | RXIN3+ | Receiver signal (+) | LVDS |
| 19 | GND | | |
| 20 | LVDS_SET | LVDS_SET | 【note1】 |

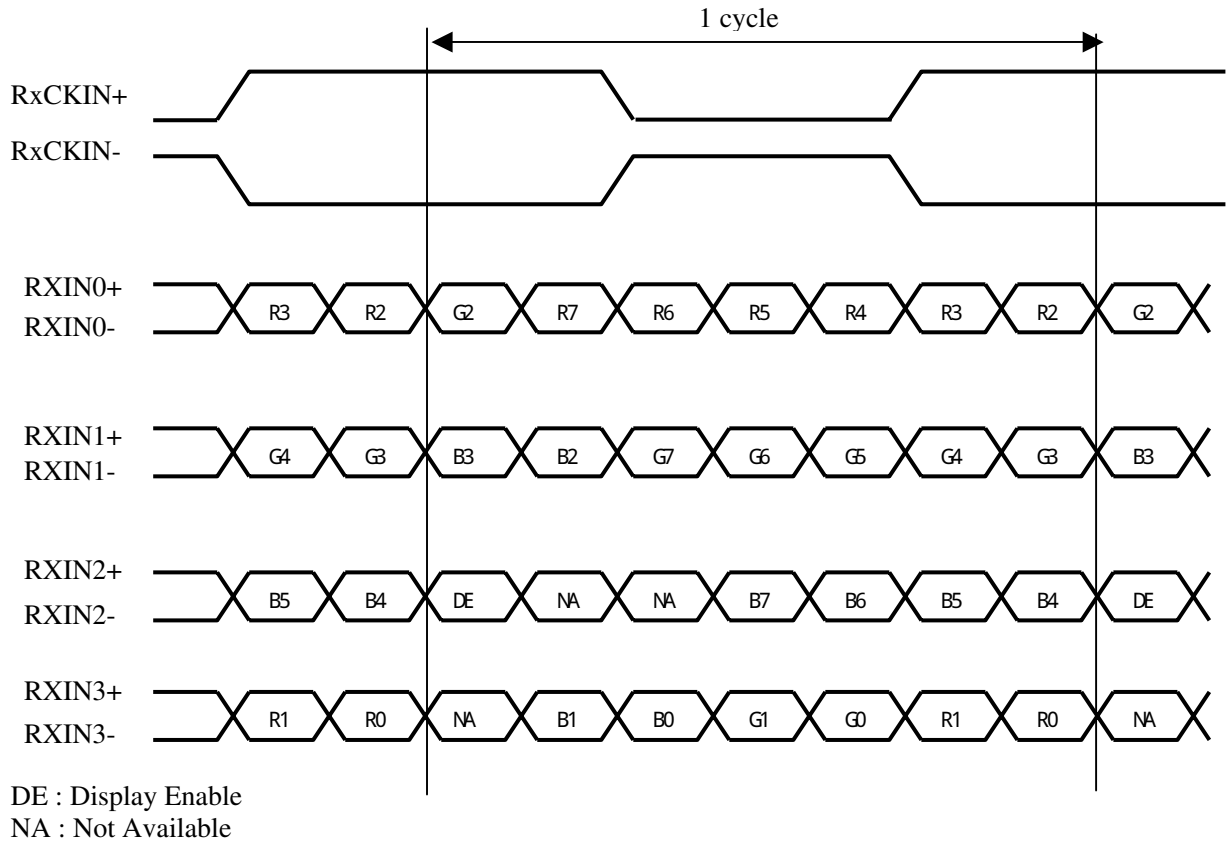
4-2 Data Mapping

1) 8 bit input

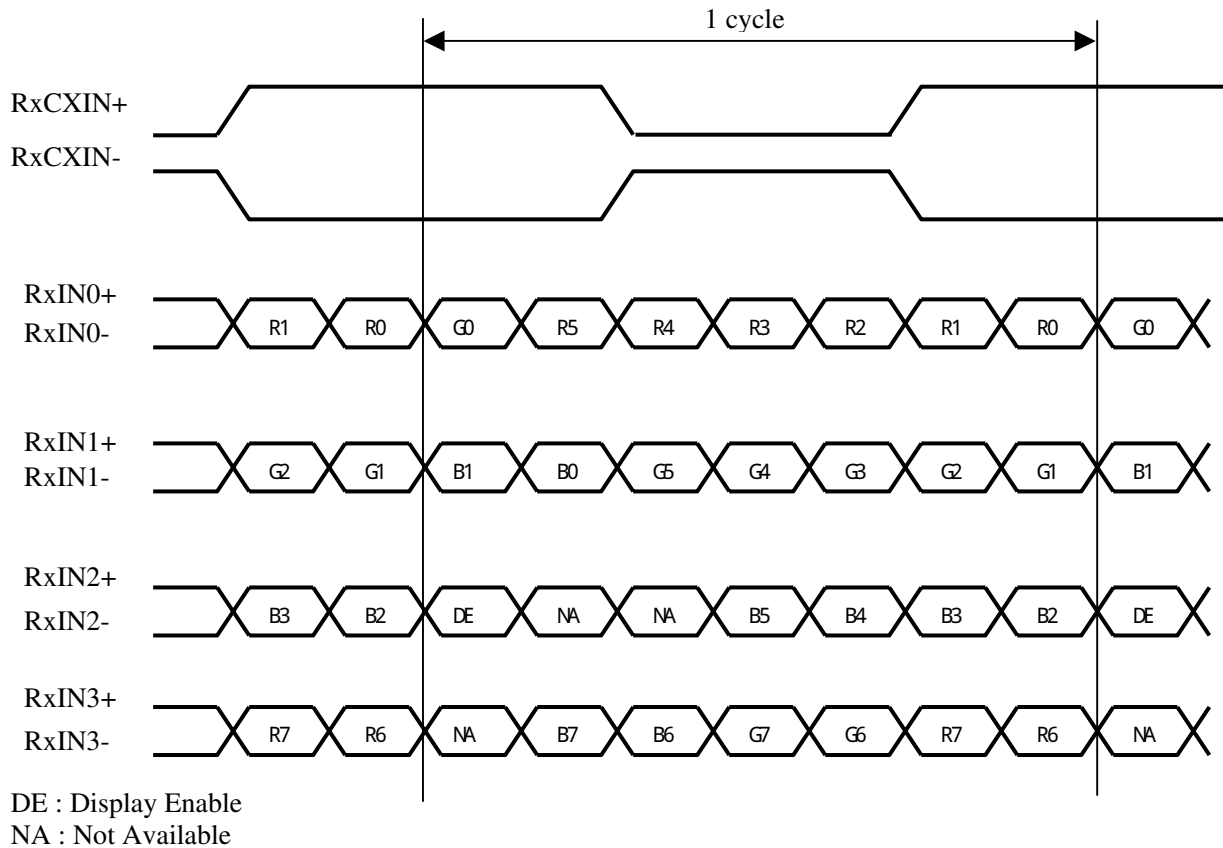
【note1】 pin assignment with LVDS_SET pin (Thine:THC63LVDM83R)

| Transmitter | | 20pin LVDS_SET | |
|-------------|------|------------------|-----------|
| Pin No | Data | =L (GND) or Open | =H (3.3V) |
| 51 | TA0 | R2 | R0 (LSB) |
| 52 | TA1 | R3 | R1 |
| 54 | TA2 | R4 | R2 |
| 55 | TA3 | R5 | R3 |
| 56 | TA4 | R6 | R4 |
| 3 | TA5 | R7 (MSB) | R5 |
| 4 | TA6 | G2 | G0 (LSB) |
| 6 | TB0 | G3 | G1 |
| 7 | TB1 | G4 | G2 |
| 11 | TB2 | G5 | G3 |
| 12 | TB3 | G6 | G4 |
| 14 | TB4 | G7 (MSB) | G5 |
| 15 | TB5 | B2 | B0 (LSB) |
| 19 | TB6 | B3 | B1 |
| 20 | TC0 | B4 | B2 |
| 22 | TC1 | B5 | B3 |
| 23 | TC2 | B6 | B4 |
| 24 | TC3 | B7 (MSB) | B5 |
| 27 | TC4 | (NA) | (NA) |
| 28 | TC5 | (NA) | (NA) |
| 30 | TC6 | DE | DE |
| 50 | TD0 | R0 (LSB) | R6 |
| 2 | TD1 | R1 | R7 (MSB) |
| 8 | TD2 | G0 (LSB) | G6 |
| 10 | TD3 | G1 | G7 (MSB) |
| 16 | TD4 | B0 (LSB) | B6 |
| 18 | TD5 | B1 | B7 (MSB) |
| 25 | TD6 | (NA) | (NA) |

<LVDS_SET=L or Open>



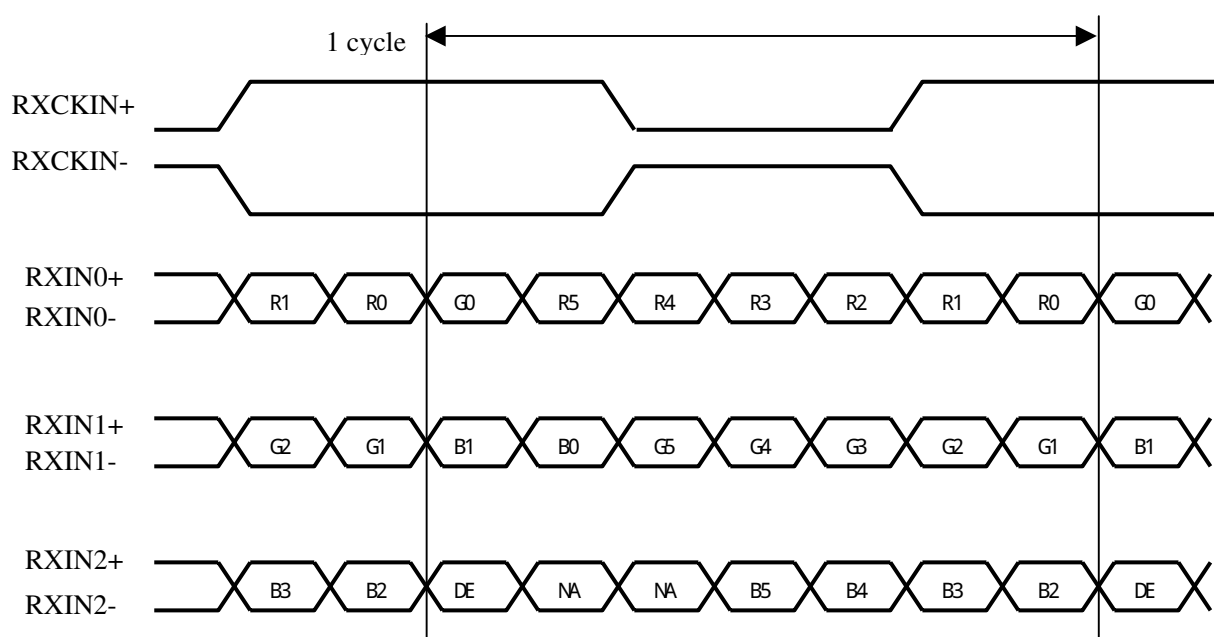
<LVDS_SET =H>



2) 6 bit input

【note1】 pin assignment with LVDS_SET pin (Thine:THC63LVDM83R)

| Transmitter | | 20pin LVDS_SET | |
|-------------|------|------------------|-----------|
| Pin No | Data | =L (GND) or Open | =H (3.3V) |
| 51 | TA0 | R0 (LSB) | - |
| 52 | TA1 | R1 | - |
| 54 | TA2 | R2 | - |
| 55 | TA3 | R3 | - |
| 56 | TA4 | R4 | - |
| 3 | TA5 | R5 (MSB) | - |
| 4 | TA6 | G0 (LSB) | - |
| 6 | TB0 | G1 | - |
| 7 | TB1 | G2 | - |
| 11 | TB2 | G3 | - |
| 12 | TB3 | G4 | - |
| 14 | TB4 | G5 (MSB) | - |
| 15 | TB5 | B0 (LSB) | - |
| 19 | TB6 | B1 | - |
| 20 | TC0 | B2 | - |
| 22 | TC1 | B3 | - |
| 23 | TC2 | B4 | - |
| 24 | TC3 | B5 (MSB) | - |
| 27 | TC4 | (NA) | - |
| 28 | TC5 | (NA) | - |
| 30 | TC6 | DE | - |
| 50 | TD0 | GND | - |
| 2 | TD1 | GND | - |
| 8 | TD2 | GND | - |
| 10 | TD3 | GND | - |
| 16 | TD4 | GND | - |
| 18 | TD5 | GND | - |
| 25 | TD6 | (NA) | - |



DE : Display Enable

NA : Not Available

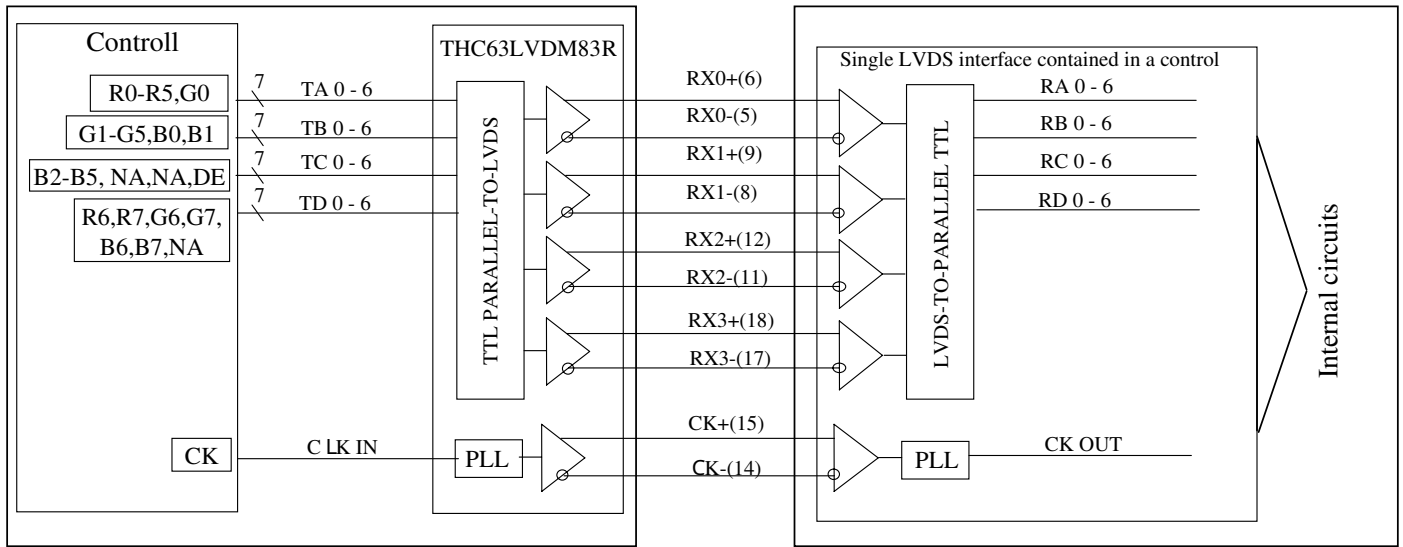
※ In case of supplying 6 bit signal, it is recommended to connect pin No.17(Rx3-) with VCC(3.3V), and No.18(Rx3+) with GND(0V).

(Computer Side)

(TFT-LCD side)

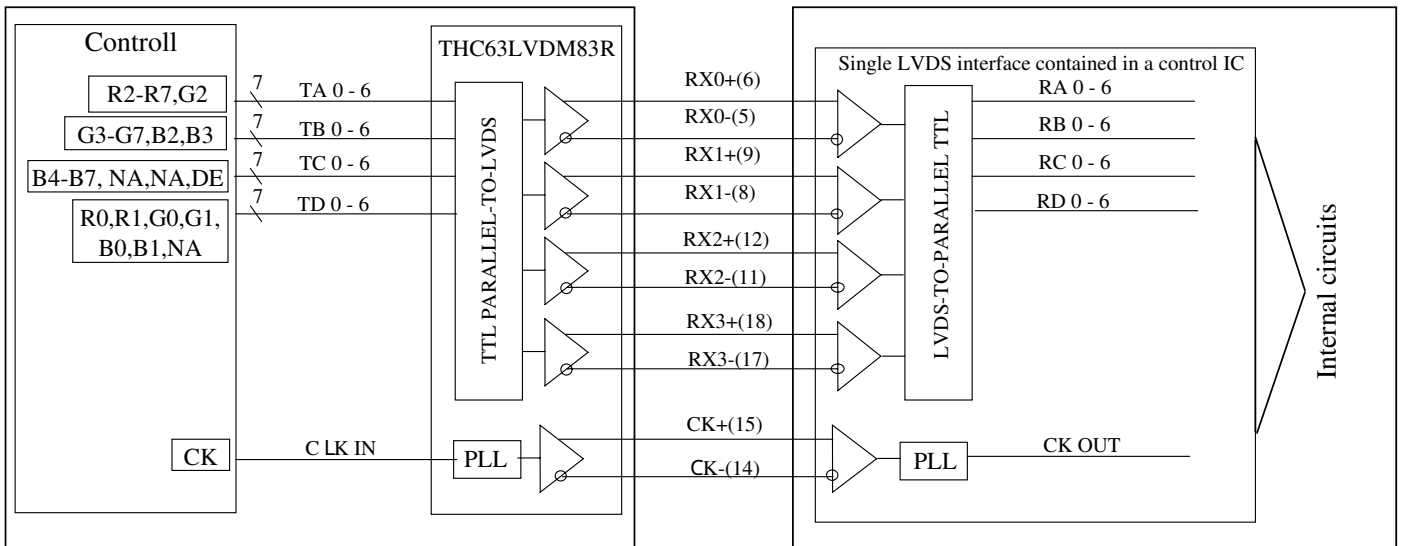
① 8Bit Mode

LVDS_SET=H (20 pin=3.3[V])



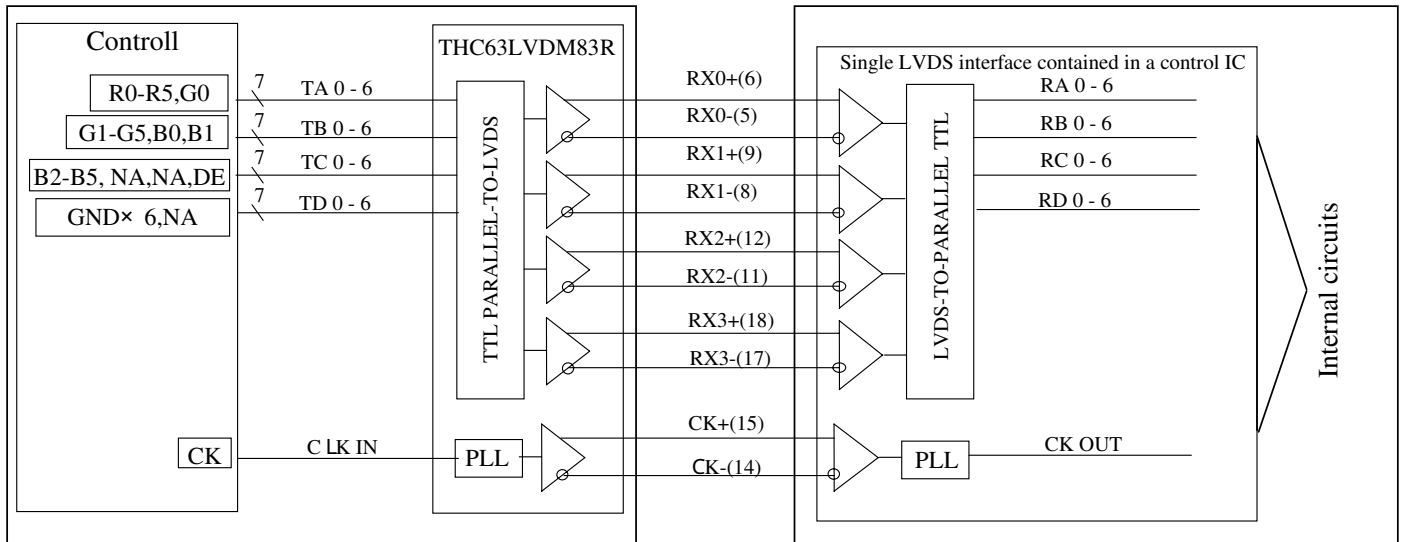
② 8Bit Mode

LVDS_SET=L (20 pin=GND or OPEN)



③ 6Bit Mode

LVDS_SET=L (20 pin=GND or OPEN)



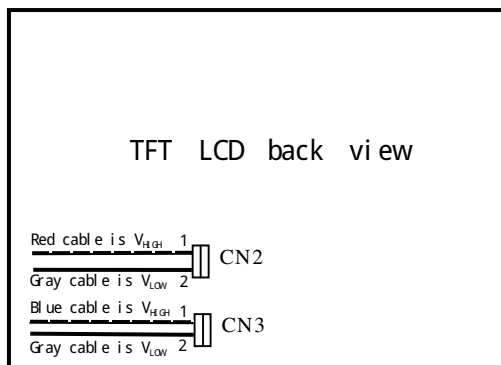
4-4 Backlight

CN 2, 3

The module-side connector : BHSR-02VS-1 (JST)

The user-side connector : SM02B-BHSS-1-TB (JST)

| Pin no. | symbol | I/O | Function |
|---------|-------------------|-----|---|
| 1 | V _{HIGH} | I | Power supply for lamp (High voltage side) |
| 2 | V _{LOW} | I | Power supply for lamp (Low voltage side) |



5. Absolute Maximum Ratings

| Parameter | Symbol | Condition | Ratings | Unit | Remark |
|-----------------------|-------------------|----------------------|-----------|------------------|---------|
| Supply voltage | V _{CC} | T _a =25°C | 0 ~ +4.0 | V | |
| Lamp Input voltage | V _{HIGH} | - | 0 ~ +2700 | V _{rms} | |
| Storage temperature | T _{STG} | - | -25 ~ +60 | °C | 【Note1】 |
| Operating temperature | T _{OPA} | - | 0 ~ +50 | °C | |

【Note1】 Humidity : 95%RH Max. (T_a ≤ 40°C)

Maximum wet-bulb temperature at 39°C or less. (T_a>40°C)

No condensation.

6. Electrical Characteristics

6-1. TFT-LCD panel driving

Ta = 25°C

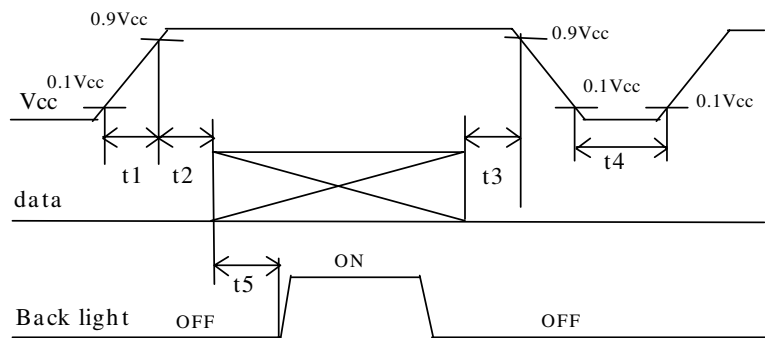
| Parameter | | Symbol | Min. | Typ. | Max. | Unit | Remark |
|--------------------------------------|---------------------|-----------------|------|------|------|-------|---|
| Vcc | Supply voltage | Vcc | +3.0 | +3.3 | +3.6 | V | 【Note2】 |
| | Current dissipation | Icc | - | 425 | 700 | mA | 【Note3】 |
| Permissible input ripple voltage | | V _{RF} | - | - | 100 | mVp-p | V _{CC} =+3.3V |
| Differential input threshold voltage | High | V _{TH} | - | - | +100 | mV | V _{CM} =+1.2V 【Note1】 |
| | Low | V _{TL} | -100 | - | - | mV | |
| Input current (High) | | I _{OH} | - | - | ± 10 | μ A | V _I =2.4V, V _{CC} =3.6V |
| Input current (Low) | | I _{OL} | - | - | ± 10 | μ A | V _I =0V, V _{CC} =3.6V |
| Terminal resistor | | R _T | - | 100 | - | Ω | Differential input |

【Note1】 V_{CM} : Common mode voltage of LVDS driver.

【Note2】

1) On-off sequences of Vcc and data

- 0 < t1 ≤ 10ms
- 0 < t2 ≤ 10ms
- 0 < t3 ≤ 1s
- 1s ≤ t4
- 200ms ≤ t5



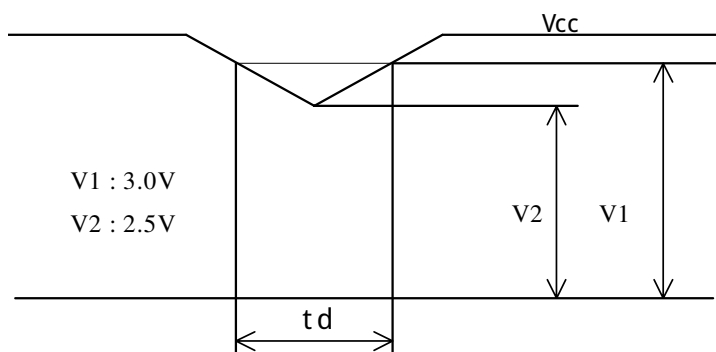
Power sequence for Backlight is not especially specified, however it is recommended to consider some timing difference between LVDS input and Backlight input as shown above.

If the Backlight lights on before LCD starting, or if the Backlight is kept on after LCD stopping, the screen may look white for a moment or abnormal image may be displayed.

This is caused by variation in output signal from timing generator at LVDS input on or off. It does not cause the damage to the LCD module.

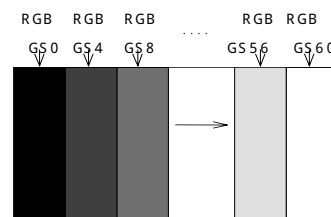
2) Dip conditions for supply voltage

- 1) V2 ≤ Vcc < V1
td ≤ 10ms
- 2) Vcc < V2
Vcc-dip conditions should also follow the on-off conditions.



【Note3】 Typical current situation : 16-gray-bar pattern

- Vcc=+3.3V, CK=65MHz
- Horizontal period =20.7 us
- Gray scale : GS(4n)
n=0 ~ 15



The explanation of each gray scale, GS(4n), is described below section 8-2.

6-2. Backlight

The back light system is an edge-lighting type with 2 CCFTs (Cold Cathode Fluorescent Tube).

The characteristics of the lamp are shown in the following table.

The value mentioned below is at the case of one CCFT.

CCFT Model Name : KTBE24MSTF-530.5KB270-Z-L (STANLEY ELECTRIC CO.,LTD)

| Parameter | Symbol | Min. | Typ. | Max. | Unit | Remark |
|------------------------|--------|--------|------|------|-------|---|
| Lamp current range | I_L | 3.0 | 4.5 | 5.0 | mArms | 【Note1】 |
| Lamp voltage | V_L | - | 1000 | 1150 | Vrms | $I_L=4.5$ mArms $T_a=25^\circ\text{C}$ 60kHz |
| Lamp power consumption | P_L | - | 4.5 | 5.2 | W | 【Note2】 $I_L=4.5$ mArms $T_a=25^\circ\text{C}$ 60kHz |
| Lamp frequency | F_L | 40 | 60 | 70 | kHz | 【Note3】 |
| Kick-off voltage | V_s | - | - | 2200 | Vrms | $T_a=0^\circ\text{C}$ 60kHz 【Note4】 |
| Lamp life time | T_L | 50,000 | - | - | hour | 【Note5】 |

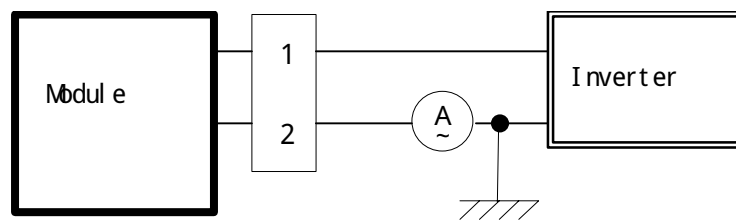
【Note1】 A lamp can be light in the range of lamp current shown above.

Maximum rating for current is measured by high frequency current measurement equipment connected to V_{LOW} at circuit showed below.

(Note : To keep enough kick-off voltage and necessary steady voltage for CCFT.)

Lamp frequency : 40 ~ 70kHz

Ambient temperature : 0 ~ 50°C



【Note2】 Referential data per one CCFT by calculation ($I_L \times V_L$).

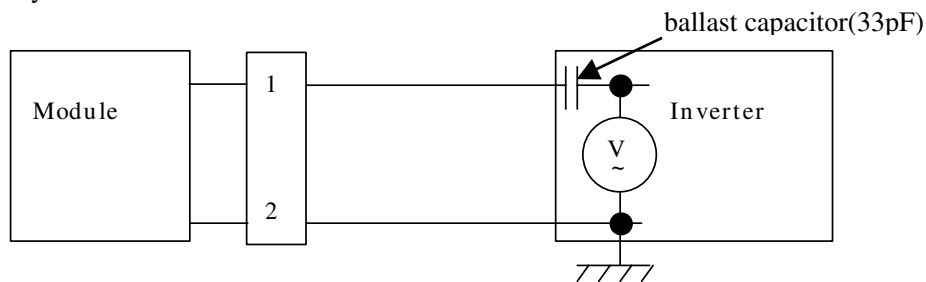
The data don't include loss at inverter.

【Note3】 Lamp frequency of inverter may produce interference with horizontal synchronous frequency, and this may cause horizontal beat on the display. Therefore, adjust lamp frequency, and keep inverter as far as from module or use electronic shielding between inverter and module to avoid interference.

【Note4】 This is transformer output voltage at 33pF for the ballast capacitor of a DC-AC inverter.

The kick-off voltage may rise up in the user set, please decide the open output voltage by checking not to occur lighting failure under operating state.

The open output voltage should be applied to the lamp for more than 1 second to startup. Otherwise the lamp may not be turned on.



* 2pin V_{LOW}

【Note5】 Lamp life time is defined as the time when either ① or ② occurs in the continuous operation under the condition of $T_a=25^{\circ}\text{C}$ and $I_L=5.0\text{ mA rms}$.

① Brightness becomes 50% of the original value under standard condition.

② Kick-off voltage at $T_a=0^{\circ}\text{C}$ exceeds $2200\text{ V}_{\text{rms}}$ value.

《Note》

The performance of the backlight, for example lifetime or brightness, is much influenced by the characteristics of the DC-AC inverter for the lamp. When you design or order the inverter, please make sure that a poor lighting caused by the mismatch of the backlight and the inverter (miss-lighting, flicker, etc.) never occurs. When you confirm it, the module should be operated in the same condition as it is installed in your instrument.

Use the lamp inverter power source incorporating such safeguard as overvoltage / overcurrent protective circuit or lamp voltage waveform detection circuit, which should have individual control of each lamp.

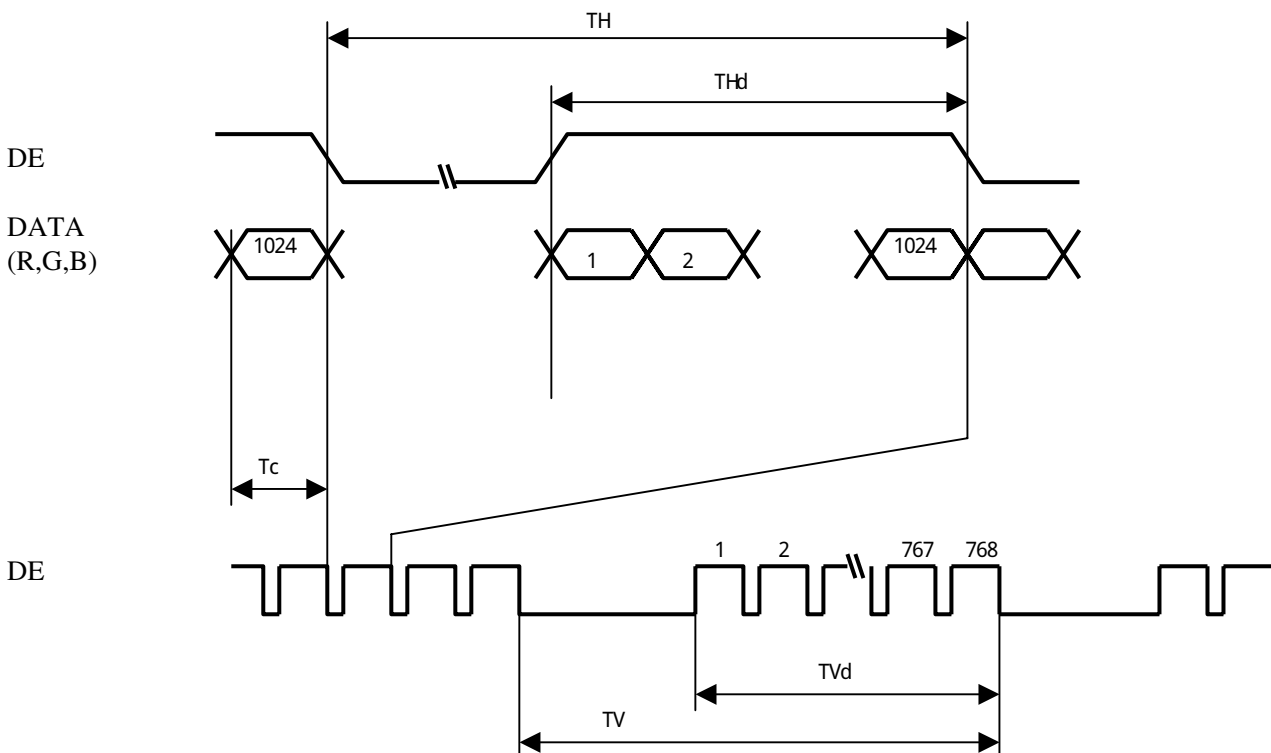
In case one circuit without such individual control is connected to more than two lamps, excessive current may flow into one lamp when the other one is not in operation.

7. Timing characteristics of input signals

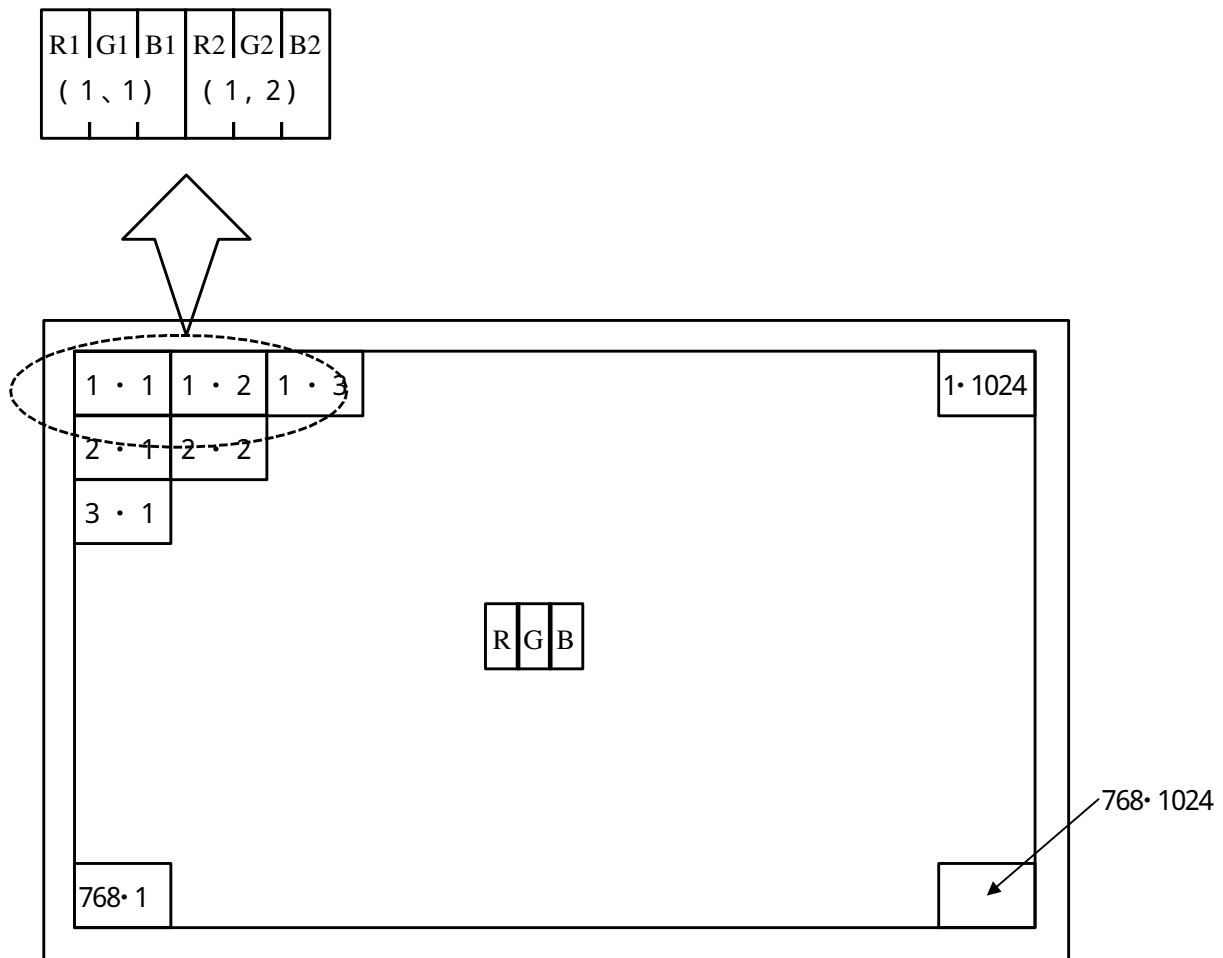
7-1. Timing characteristics

| Parameter | | Symbol | Min. | Typ. | Max. | Unit |
|--------------|--------------------------|---------|------|------|------|---------------|
| Clock signal | Frequency | $1/T_c$ | 50.0 | 65.0 | 80.0 | MHz |
| ENAB signal | Horizontal period | TH | 1056 | 1344 | 1720 | clock |
| | | | 16.0 | 20.7 | 23.4 | μs |
| | Horizontal period (High) | THd | 1024 | 1024 | 1024 | clock |
| | Vertical period | TV | 773 | 806 | 990 | line |
| | Vertical period (High) | TVd | 768 | 768 | 768 | line |

【Note】 In case of using the long vertical period, the deterioration of display quality, flicker etc. may occur.



7-2 Input Data Signals and Display Position on the screen



Display Position of Data (V, H)

8. Input Signals, Basic Display Colors and Gray Scale of Each Color

8-1 8bit input

| | Colors & Gray scale | Gray Scale | Data signal | | | | | | | | | | | | | | | | | | | | | | | | | | | |
|---------------------|---------------------|------------|-------------|----|----|----|----|----|----|----|----|----|----|----|----|----|----|----|----|----|----|----|----|----|----|----|---|---|--|--|
| | | | R0 | R1 | R2 | R3 | R4 | R5 | R6 | R7 | G0 | G1 | G2 | G3 | G4 | G5 | G6 | G7 | B0 | B1 | B2 | B3 | B4 | B5 | B6 | B7 | | | | |
| Basic Color | Black | - | 0 | 0 | 0 | 0 | 0 | 0 | 0 | 0 | 0 | 0 | 0 | 0 | 0 | 0 | 0 | 0 | 0 | 0 | 0 | 0 | 0 | 0 | 0 | 0 | 0 | 0 | | |
| | Blue | - | 0 | 0 | 0 | 0 | 0 | 0 | 0 | 0 | 0 | 0 | 0 | 0 | 0 | 0 | 0 | 0 | X | X | 1 | 1 | 1 | 1 | 1 | 1 | 1 | | | |
| | Green | - | 0 | 0 | 0 | 0 | 0 | 0 | 0 | 0 | X | X | 1 | 1 | 1 | 1 | 1 | 1 | 0 | 0 | 0 | 0 | 0 | 0 | 0 | 0 | 0 | | | |
| | Cyan | - | 0 | 0 | 0 | 0 | 0 | 0 | 0 | 0 | X | X | 1 | 1 | 1 | 1 | 1 | 1 | X | X | 1 | 1 | 1 | 1 | 1 | 1 | 1 | | | |
| | Red | - | X | X | 1 | 1 | 1 | 1 | 1 | 1 | 0 | 0 | 0 | 0 | 0 | 0 | 0 | 0 | 0 | 0 | 0 | 0 | 0 | 0 | 0 | 0 | 0 | | | |
| | Magenta | - | X | X | 1 | 1 | 1 | 1 | 1 | 1 | 0 | 0 | 0 | 0 | 0 | 0 | 0 | 0 | X | X | 1 | 1 | 1 | 1 | 1 | 1 | 1 | | | |
| | Yellow | - | X | X | 1 | 1 | 1 | 1 | 1 | 1 | X | X | 1 | 1 | 1 | 1 | 1 | 1 | 0 | 0 | 0 | 0 | 0 | 0 | 0 | 0 | 0 | | | |
| | White | - | X | X | 1 | 1 | 1 | 1 | 1 | 1 | X | X | 1 | 1 | 1 | 1 | 1 | 1 | X | X | 1 | 1 | 1 | 1 | 1 | 1 | 1 | | | |
| Gray Scale of Red | Black | GS0 | 0 | 0 | 0 | 0 | 0 | 0 | 0 | 0 | 0 | 0 | 0 | 0 | 0 | 0 | 0 | 0 | 0 | 0 | 0 | 0 | 0 | 0 | 0 | 0 | 0 | | | |
| | ↑ | GS1 | 1 | 0 | 0 | 0 | 0 | 0 | 0 | 0 | 0 | 0 | 0 | 0 | 0 | 0 | 0 | 0 | 0 | 0 | 0 | 0 | 0 | 0 | 0 | 0 | 0 | | | |
| | Darker | GS2 | 0 | 1 | 0 | 0 | 0 | 0 | 0 | 0 | 0 | 0 | 0 | 0 | 0 | 0 | 0 | 0 | 0 | 0 | 0 | 0 | 0 | 0 | 0 | 0 | 0 | | | |
| | ↑ | ↓ | | | | | ↓ | | | | | | | ↓ | | | | | | | | | | | ↓ | | | | | |
| | ↓ | ↓ | | | | | ↓ | | | | | | | ↓ | | | | | | | | | | | ↓ | | | | | |
| | Brighter | GS250 | 0 | 1 | 0 | 1 | 1 | 1 | 1 | 1 | 0 | 0 | 0 | 0 | 0 | 0 | 0 | 0 | 0 | 0 | 0 | 0 | 0 | 0 | 0 | 0 | 0 | | | |
| | ↓ | GS251 | 1 | 1 | 0 | 1 | 1 | 1 | 1 | 1 | 0 | 0 | 0 | 0 | 0 | 0 | 0 | 0 | 0 | 0 | 0 | 0 | 0 | 0 | 0 | 0 | 0 | | | |
| | Red | GS252 | X | X | 1 | 1 | 1 | 1 | 1 | 1 | 0 | 0 | 0 | 0 | 0 | 0 | 0 | 0 | 0 | 0 | 0 | 0 | 0 | 0 | 0 | 0 | 0 | | | |
| Gray Scale of Green | Black | GS0 | 0 | 0 | 0 | 0 | 0 | 0 | 0 | 0 | 0 | 0 | 0 | 0 | 0 | 0 | 0 | 0 | 0 | 0 | 0 | 0 | 0 | 0 | 0 | 0 | 0 | | | |
| | ↑ | GS1 | 0 | 0 | 0 | 0 | 0 | 0 | 0 | 0 | 1 | 0 | 0 | 0 | 0 | 0 | 0 | 0 | 0 | 0 | 0 | 0 | 0 | 0 | 0 | 0 | 0 | | | |
| | Darker | GS2 | 0 | 0 | 0 | 0 | 0 | 0 | 0 | 0 | 0 | 1 | 0 | 0 | 0 | 0 | 0 | 0 | 0 | 0 | 0 | 0 | 0 | 0 | 0 | 0 | 0 | | | |
| | ↑ | ↓ | | | | | ↓ | | | | | | | ↓ | | | | | | | | | | | ↓ | | | | | |
| | ↓ | ↓ | | | | | ↓ | | | | | | | ↓ | | | | | | | | | | | ↓ | | | | | |
| | Brighter | GS250 | 0 | 0 | 0 | 0 | 0 | 0 | 0 | 0 | 0 | 1 | 0 | 1 | 1 | 1 | 1 | 1 | 0 | 0 | 0 | 0 | 0 | 0 | 0 | 0 | 0 | | | |
| | ↓ | GS251 | 0 | 0 | 0 | 0 | 0 | 0 | 0 | 0 | 1 | 1 | 0 | 1 | 1 | 1 | 1 | 1 | 0 | 0 | 0 | 0 | 0 | 0 | 0 | 0 | 0 | | | |
| | Green | GS252 | 0 | 0 | 0 | 0 | 0 | 0 | 0 | 0 | X | X | 1 | 1 | 1 | 1 | 1 | 1 | 0 | 0 | 0 | 0 | 0 | 0 | 0 | 0 | 0 | | | |
| Gray Scale of Blue | Black | GS0 | 0 | 0 | 0 | 0 | 0 | 0 | 0 | 0 | 0 | 0 | 0 | 0 | 0 | 0 | 0 | 0 | 0 | 0 | 0 | 0 | 0 | 0 | 0 | 0 | 0 | | | |
| | ↑ | GS1 | 0 | 0 | 0 | 0 | 0 | 0 | 0 | 0 | 0 | 0 | 0 | 0 | 0 | 0 | 0 | 0 | 1 | 0 | 0 | 0 | 0 | 0 | 0 | 0 | 0 | | | |
| | Darker | GS2 | 0 | 0 | 0 | 0 | 0 | 0 | 0 | 0 | 0 | 0 | 0 | 0 | 0 | 0 | 0 | 0 | 0 | 1 | 0 | 0 | 0 | 0 | 0 | 0 | 0 | | | |
| | ↑ | ↓ | | | | | ↓ | | | | | | | ↓ | | | | | | | | | | | ↓ | | | | | |
| | ↓ | ↓ | | | | | ↓ | | | | | | | ↓ | | | | | | | | | | | ↓ | | | | | |
| | Brighter | GS250 | 0 | 0 | 0 | 0 | 0 | 0 | 0 | 0 | 0 | 0 | 0 | 0 | 0 | 0 | 0 | 0 | 0 | 1 | 0 | 1 | 1 | 1 | 1 | 1 | 1 | | | |
| | ↓ | GS251 | 0 | 0 | 0 | 0 | 0 | 0 | 0 | 0 | 0 | 0 | 0 | 0 | 0 | 0 | 0 | 0 | 1 | 1 | 0 | 1 | 1 | 1 | 1 | 1 | 1 | | | |
| | Blue | GS252 | 0 | 0 | 0 | 0 | 0 | 0 | 0 | 0 | 0 | 0 | 0 | 0 | 0 | 0 | 0 | 0 | X | X | 1 | 1 | 1 | 1 | 1 | 1 | 1 | | | |

0 : Low level voltage, 1 : High level voltage. X :Don't care.

Each basic color can be displayed in 253 gray scales from 8 bit data signals. According to the combination of total 24 bit data signals, the 16-million-color display can be achieved on the screen.

8-2 6bit input

| | Colors & Gray scale | Data signal | | | | | | | | | | | | | | | | | | |
|---------------------|---------------------|-------------|----|----|----|----|----|----|----|----|----|----|----|----|----|----|----|----|----|----|
| | | Gray Scale | R0 | R1 | R2 | R3 | R4 | R5 | G0 | G1 | G2 | G3 | G4 | G5 | B0 | B1 | B2 | B3 | B4 | B5 |
| Basic Color | Black | - | 0 | 0 | 0 | 0 | 0 | 0 | 0 | 0 | 0 | 0 | 0 | 0 | 0 | 0 | 0 | 0 | 0 | 0 |
| | Blue | - | 0 | 0 | 0 | 0 | 0 | 0 | 0 | 0 | 0 | 0 | 0 | 0 | 1 | 1 | 1 | 1 | 1 | 1 |
| | Green | - | 0 | 0 | 0 | 0 | 0 | 0 | 1 | 1 | 1 | 1 | 1 | 1 | 0 | 0 | 0 | 0 | 0 | 0 |
| | Cyan | - | 0 | 0 | 0 | 0 | 0 | 0 | 1 | 1 | 1 | 1 | 1 | 1 | 1 | 1 | 1 | 1 | 1 | 1 |
| | Red | - | 1 | 1 | 1 | 1 | 1 | 1 | 0 | 0 | 0 | 0 | 0 | 0 | 0 | 0 | 0 | 0 | 0 | 0 |
| | Magenta | - | 1 | 1 | 1 | 1 | 1 | 1 | 0 | 0 | 0 | 0 | 0 | 0 | 1 | 1 | 1 | 1 | 1 | 1 |
| | Yellow | - | 1 | 1 | 1 | 1 | 1 | 1 | 1 | 1 | 1 | 1 | 1 | 1 | 0 | 0 | 0 | 0 | 0 | 0 |
| | White | - | 1 | 1 | 1 | 1 | 1 | 1 | 1 | 1 | 1 | 1 | 1 | 1 | 1 | 1 | 1 | 1 | 1 | 1 |
| Gray Scale of Red | Black | GS0 | 0 | 0 | 0 | 0 | 0 | 0 | 0 | 0 | 0 | 0 | 0 | 0 | 0 | 0 | 0 | 0 | 0 | 0 |
| | ↑ | GS1 | 1 | 0 | 0 | 0 | 0 | 0 | 0 | 0 | 0 | 0 | 0 | 0 | 0 | 0 | 0 | 0 | 0 | 0 |
| | Darker | GS2 | 0 | 1 | 0 | 0 | 0 | 0 | 0 | 0 | 0 | 0 | 0 | 0 | 0 | 0 | 0 | 0 | 0 | 0 |
| | ↑ | ↓ | | | ↓ | | | | | ↓ | | | | | ↓ | | | | | |
| | ↓ | ↓ | | | ↓ | | | | | ↓ | | | | | ↓ | | | | | |
| | Brighter | GS61 | 1 | 0 | 1 | 1 | 1 | 1 | 0 | 0 | 0 | 0 | 0 | 0 | 0 | 0 | 0 | 0 | 0 | 0 |
| | ↓ | GS62 | 0 | 1 | 1 | 1 | 1 | 1 | 0 | 0 | 0 | 0 | 0 | 0 | 0 | 0 | 0 | 0 | 0 | 0 |
| | Red | GS63 | 1 | 1 | 1 | 1 | 1 | 1 | 0 | 0 | 0 | 0 | 0 | 0 | 0 | 0 | 0 | 0 | 0 | 0 |
| Gray Scale of Green | Black | GS0 | 0 | 0 | 0 | 0 | 0 | 0 | 0 | 0 | 0 | 0 | 0 | 0 | 0 | 0 | 0 | 0 | 0 | 0 |
| | ↑ | GS1 | 0 | 0 | 0 | 0 | 0 | 0 | 1 | 0 | 0 | 0 | 0 | 0 | 0 | 0 | 0 | 0 | 0 | 0 |
| | Darker | GS2 | 0 | 0 | 0 | 0 | 0 | 0 | 0 | 1 | 0 | 0 | 0 | 0 | 0 | 0 | 0 | 0 | 0 | 0 |
| | ↑ | ↓ | | | ↓ | | | | | ↓ | | | | | ↓ | | | | | |
| | ↓ | ↓ | | | ↓ | | | | | ↓ | | | | | ↓ | | | | | |
| | Brighter | GS61 | 0 | 0 | 0 | 0 | 0 | 0 | 1 | 0 | 1 | 1 | 1 | 1 | 0 | 0 | 0 | 0 | 0 | 0 |
| | ↓ | GS62 | 0 | 0 | 0 | 0 | 0 | 0 | 0 | 1 | 1 | 1 | 1 | 1 | 0 | 0 | 0 | 0 | 0 | 0 |
| | Green | GS63 | 0 | 0 | 0 | 0 | 0 | 0 | 1 | 1 | 1 | 1 | 1 | 1 | 0 | 0 | 0 | 0 | 0 | 0 |
| Gray Scale of Blue | Black | GS0 | 0 | 0 | 0 | 0 | 0 | 0 | 0 | 0 | 0 | 0 | 0 | 0 | 0 | 0 | 0 | 0 | 0 | 0 |
| | ↑ | GS1 | 0 | 0 | 0 | 0 | 0 | 0 | 0 | 0 | 0 | 0 | 0 | 0 | 1 | 0 | 0 | 0 | 0 | 0 |
| | Darker | GS2 | 0 | 0 | 0 | 0 | 0 | 0 | 0 | 0 | 0 | 0 | 0 | 0 | 0 | 1 | 0 | 0 | 0 | 0 |
| | ↑ | ↓ | | | ↓ | | | | | ↓ | | | | | ↓ | | | | | |
| | ↓ | ↓ | | | ↓ | | | | | ↓ | | | | | ↓ | | | | | |
| | Brighter | GS61 | 0 | 0 | 0 | 0 | 0 | 0 | 0 | 0 | 0 | 0 | 0 | 0 | 1 | 0 | 0 | 1 | 1 | 1 |
| | ↓ | GS62 | 0 | 0 | 0 | 0 | 0 | 0 | 0 | 0 | 0 | 0 | 0 | 0 | 0 | 1 | 1 | 1 | 1 | 1 |
| | Blue | GS63 | 0 | 0 | 0 | 0 | 0 | 0 | 0 | 0 | 0 | 0 | 0 | 0 | 1 | 1 | 1 | 1 | 1 | 1 |

0 : Low level voltage, 1 : High level voltage.

Each basic color can be displayed in 64 gray scales from 6 bit data signals. According to the combination of total 18 bit data signals, the 262,144-color display can be achieved on the screen.

9. Optical Characteristics

Ta=25°C, Vcc =+3.3V

| Parameter | | Symbol | Condition | Min. | Typ. | Max. | Unit | Remark | | |
|-----------------------|------------|----------------------------|--------------------|-------|-------|-------|------|-----------|-------------------|-------------------------------------|
| Viewing angle range | Vertical | θ_{11} | $CR \geq 5$ | 40 | 55 | - | Deg. | 【Note1,4】 | | |
| | | θ_{12} | | 70 | 80 | - | Deg. | | | |
| | Horizontal | θ_{21}, θ_{22} | | 70 | 80 | - | Deg. | | | |
| | Vertical | θ_{11} | $CR \geq 10$ | 30 | 45 | - | Deg. | | | |
| | | θ_{12} | | 45 | 55 | - | Deg. | | | |
| | Horizontal | θ_{21}, θ_{22} | | 50 | 60 | - | Deg. | | | |
| Contrast ratio | | C R | $\theta = 0^\circ$ | 250 | 350 | - | | 【Note2,4】 | | |
| Response Time | Rise | γ_r | $\theta = 0^\circ$ | - | 5 | 20 | ms | 【Note3,4】 | | |
| | Fall | γ_d | | - | 20 | 40 | ms | | | |
| Chromaticity of White | | x | $\theta = 0^\circ$ | 0.283 | 0.313 | 0.343 | | 【Note4】 | | |
| | | y | | 0.299 | 0.329 | 0.359 | | | | |
| Chromaticity of Red | | x | | 0.551 | 0.581 | 0.611 | | | | |
| | | y | | 0.292 | 0.322 | 0.352 | | | | |
| Chromaticity of Green | | x | | 0.277 | 0.307 | 0.337 | | | | |
| | | y | | 0.516 | 0.546 | 0.576 | | | | |
| Chromaticity of Blue | | x | | 0.121 | 0.151 | 0.181 | | | | |
| | | y | | 0.097 | 0.127 | 0.157 | | | | |
| Luminance of white | | Y_L | | | 200 | 260 | - | | cd/m ² | IL=4.5mA rms fL=60kHz 【Note4】 |
| White Uniformity | | δ_w | | | - | - | 1.25 | | - | 【Note5】 |

※ The measurement shall be executed 30 minutes after lighting at rating.

The optical characteristics shall be measured in a dark room or equivalent state with the method shown in Fig.2 below.

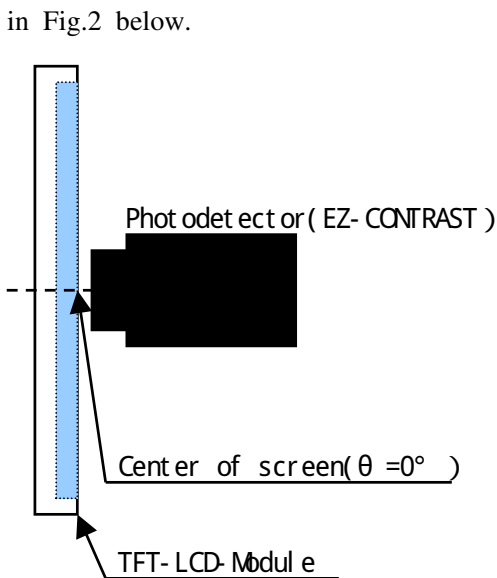


Fig 2-1 Viewing angle measurement method

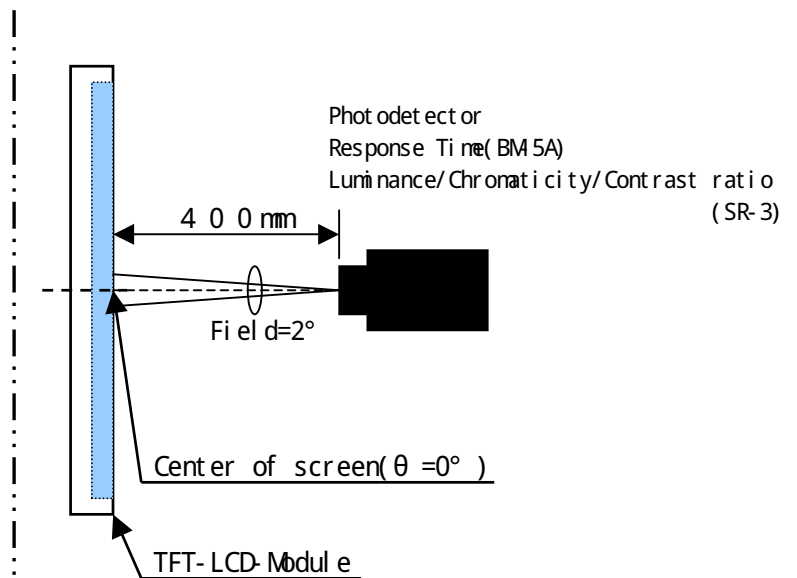
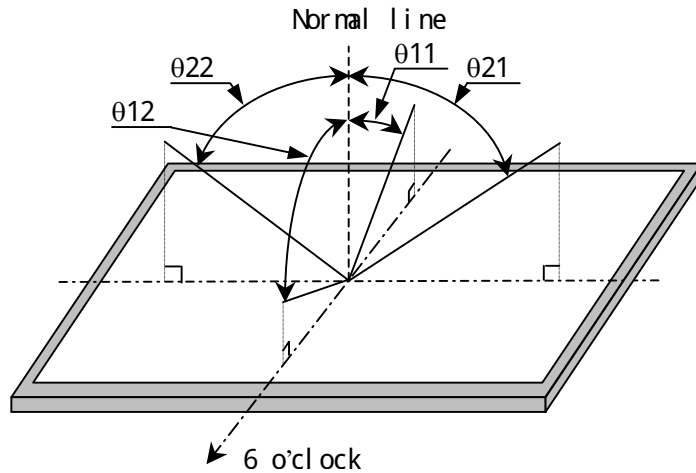


Fig 2-2 Luminance/Contrast ratio/Response time/Chromaticity measurement method

【Note1】 Definitions of viewing angle range:



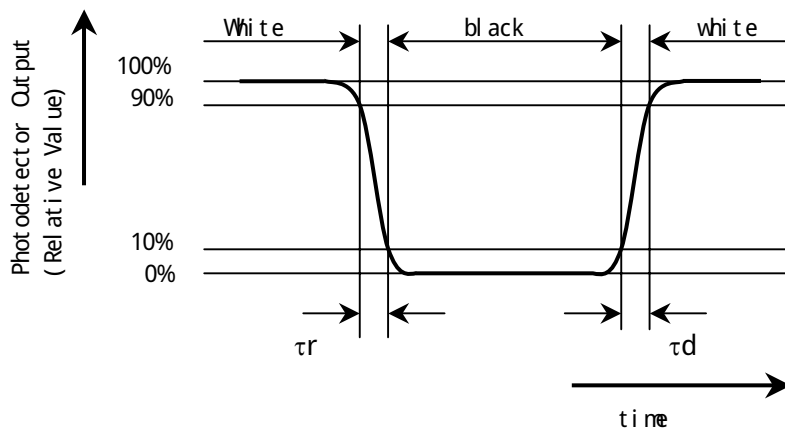
【Note2】 Definition of contrast ratio:

The contrast ratio is defined as the following.

$$\text{Contrast Ratio (CR)} = \frac{\text{Luminance (brightness) with all pixels white}}{\text{Luminance (brightness) with all pixels black}}$$

【Note3】 Definition of response time:

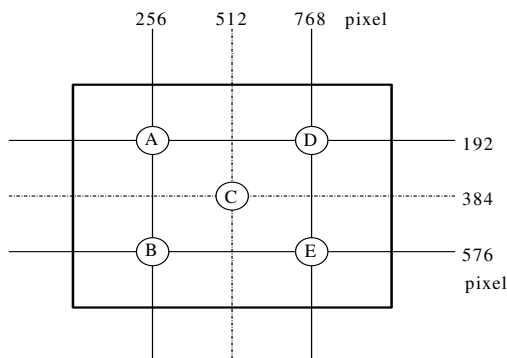
The response time is defined as the following figure and shall be measured by switching the input signal for "black" and "white".



【Note4】 This shall be measured at center of the screen.

【Note5】 Definition of white uniformity:

White uniformity is defined as the following with five measurements (A ~ E).



$$\delta w = \frac{\text{Maximum Luminance of five points (brightness)}}{\text{Minimum Luminance of five points (brightness)}}$$

10. Handling Precautions

- a) Be sure to turn off the power supply when inserting or disconnecting the cable.
- b) Be sure to design the cabinet so that the module can be installed without any extra stress such as warp or twist.
- c) Since the front polarize is easily damaged, pay attention not to scratch it.
- d) Since long contact with water may cause discoloration or spots, wipe off water drop immediately.
- e) When the panel surface is soiled, wipe it with absorbent cotton or other soft cloth.
- f) Since the panel is made of glass, it may break or crack if dropped or bumped on hard surface. Handle with care.
- g) Since CMOS LSI is used in this module, take care of static electricity and take the human earth into consideration when handling.
- h) Make sure the four mounting holes of the module are grounded sufficiently. Take electro-magnetic interference (EMI) into consideration.
- i) The module has some printed circuit boards (PCBs) on the back side. Take care to keep them from any stress or pressure when handling or installing the module; otherwise some of electronic parts on the PCBs may be damaged.
- j) Observe all other precautionary requirements in handling components.
- k) When some pressure is added onto the module from rear side constantly, it causes display non-uniformity issue, functional defect, etc. So, please avoid such design.
- l) When handling LCD modules and assembling them into cabinets, please be noted that long-term storage in the environment of oxidization or deoxidization gas and the use of such materials as reagent, solvent, adhesive, resin, etc. which generate these gasses, may cause corrosion and discoloration of the LCD modules.

11. Packing form

- a) Production country : JAPAN , TAIWAN, CHINA
- b) Piling number of cartons : maximum 6 cartons
- c) Packing quantity in one carton : 10 modules
- d) Carton size : 408mm(W)× 340mm(H)× 398mm(D)
- e) total mass of one carton filled with full modules : 12.0kg(typ.)
- f) Packing form is shown in Fig.3

12 . Reliability test items

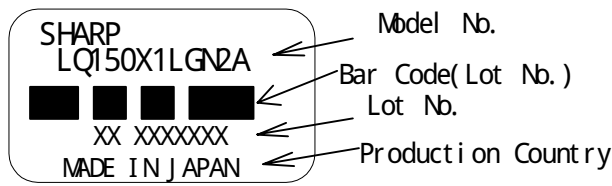
| No | Test item | Conditions |
|----|---|---|
| 1 | High temperature storage test | Ta = 60°C 240h |
| 2 | Low temperature storage test | Ta = -25°C 240h |
| 3 | High temperature & high humidity operation test | Ta = 40°C ; 95%RH 240h (No condensation) |
| 4 | High temperature operation test | Ta = 60°C 240h (The temperature of panel surface) |
| 5 | Low temperature operation test | Ta = 0°C 240H |
| 6 | Vibration test (non- operating) | Waveform : Sine wave Frequency : 10 ~ 57Hz/Vibration width (one side) : 0.075mm : 58 ~ 500Hz/Gravity : 9.8m/s ² Sweep time : 11minutes Test period : 3 hours (1 hour for each direction of X,Y,Z) |
| 7 | Shock test (non- operating) | Max. gravity : 490m/s ² Pulse width : 11ms, sine wave Direction : ± X, ± Y, ± Z, once for each direction. |
| 8 | Thermal shock test (Storage) | Ta=-25°C ~ 60°C ; 5 cycles Test period : 10 hours (1 hour for each temperature) |
| 9 | Altitude | Ta=50°C,70kPa,3,048m(10,000ft), t=24h (Operating) Ta=70°C,12kPa,15,240m(50,000ft), t=24h (Storage) |

【Result Evaluation Criteria】

Under the display quality test conditions with normal operation state, these shall be no change which may affect practical display function.

13 . Others

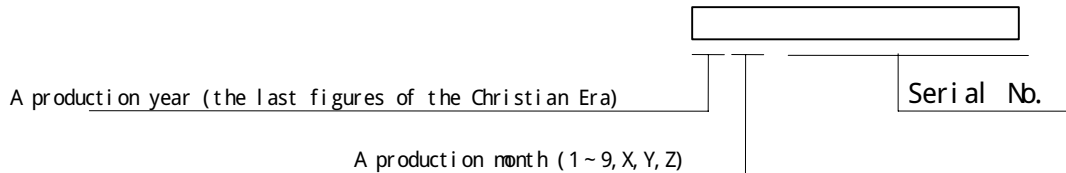
1) Lot No. and indication Bar Code Label:



Production country

| | |
|--------|----------------|
| Japan | MADE IN JAPAN |
| Taiwan | MADE IN TAIWAN |
| China | MADE IN CHINA |

How to express Lot No.



2) Packing Label

社内品番 : (4 S) LQ150X1LGN2A

Bar code (①)

Lot NO. : (1 T) 2 0 0 4 . X . X X

Bar code (②)

Quantity : (Q) 1 0 p c s

Bar code (③)

ユーザ品番 :

シャープ物流用ラベルです。

| | | |
|------------|-------------------------|---|
| TYPE | L Q 1 5 0 X 1 L G N 2 A | ① |
| QUANTITY | 1 0 | ③ |
| LOT(DATA) | 0 4 . 0 9 . 2 4 | ② |

Made in TAIWAN

- ① Model No. (LQ150X1LGN2A)
- ② Lot No. (Date)
- ③ Quantity

Made in JAPAN / CHINA

- 3) Adjusting volume have been set optimally before shipment, so do not change any adjusted value.
If adjusted value is changed, the specification may not be satisfied.
- 4) Disassembling the module can cause permanent damage and should be strictly avoided.
- 5) Please be careful since image retention may occur when a fixed pattern is displayed for a long time.
- 6) The chemical compound which causes the destruction of ozone layer is not being used.
- 7) Warning of mercury and material information of LPG (Light Pipe Guide) are printed on the back of the module.

MATERIAL INFORMATION
>PLASTIC LIGHT GUIDE:PMMA<

- 8) Cold cathode fluorescent lamp in LCD PANEL contains a small amount of mercury, Please follow local ordinances or regulations for disposal.

COLD CATHODE FLUORESCENT LAMP IN LCD PANEL
 CONTAINS A SMALL AMOUNT OF MERCURY, PLEASE FOLLOW
 LOCAL ORDINANCES OR REGULATION FOR DISPOSAL
 当該液晶ディスプレイパネルは蛍光管が組み込まれていますので、地方自治体の条
 例、または、規則に従って廃棄ください。

- 9) When any question or issue occurs, it shall be solved by mutual discussion.

14. Carton storage condition

Temperature 0°C to 40°C

Humidity 95%RH or less

Reference condition : 20°C to 35°C , 85%RH or less (summer)

: 5°C to 15°C , 85%RH or less (winter)

• the total storage time (40°C,95%RH) : 240H or less

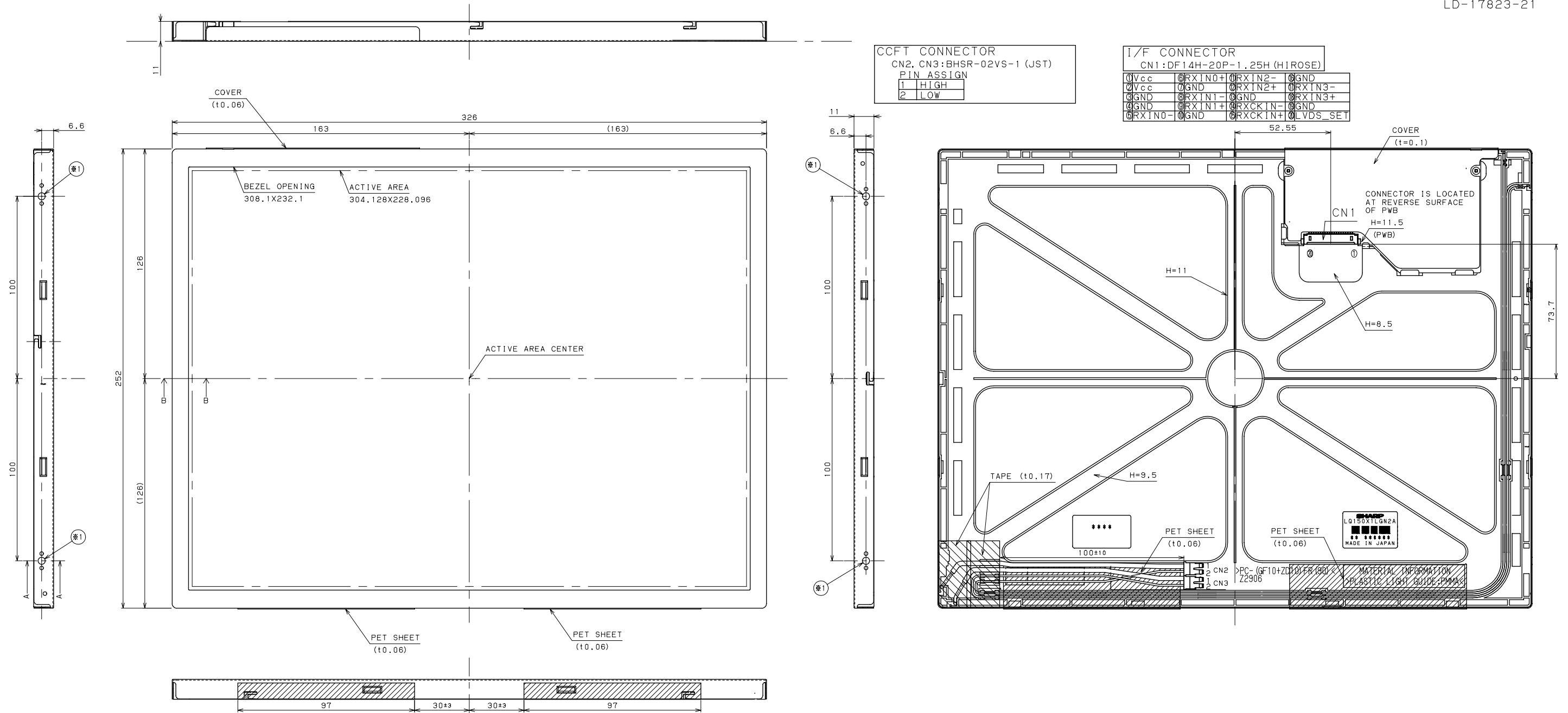
Sunlight Be sure to shelter a product from the direct sunlight.

Atmosphere Harmful gas, such as acid and alkali which bites electronic components and/or wires must not be detected.

Notes Be sure to put cartons on palette or base, don't put it on floor, and store them with removing from wall

Please take care of ventilation in storehouse and around cartons, and control changing temperature is within limits of natural environment

Storage period 1 year

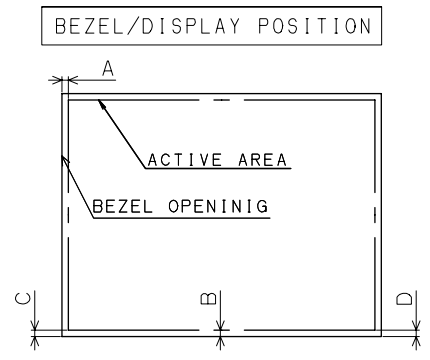
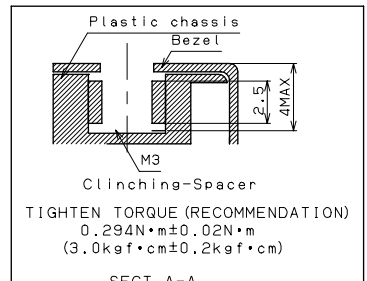
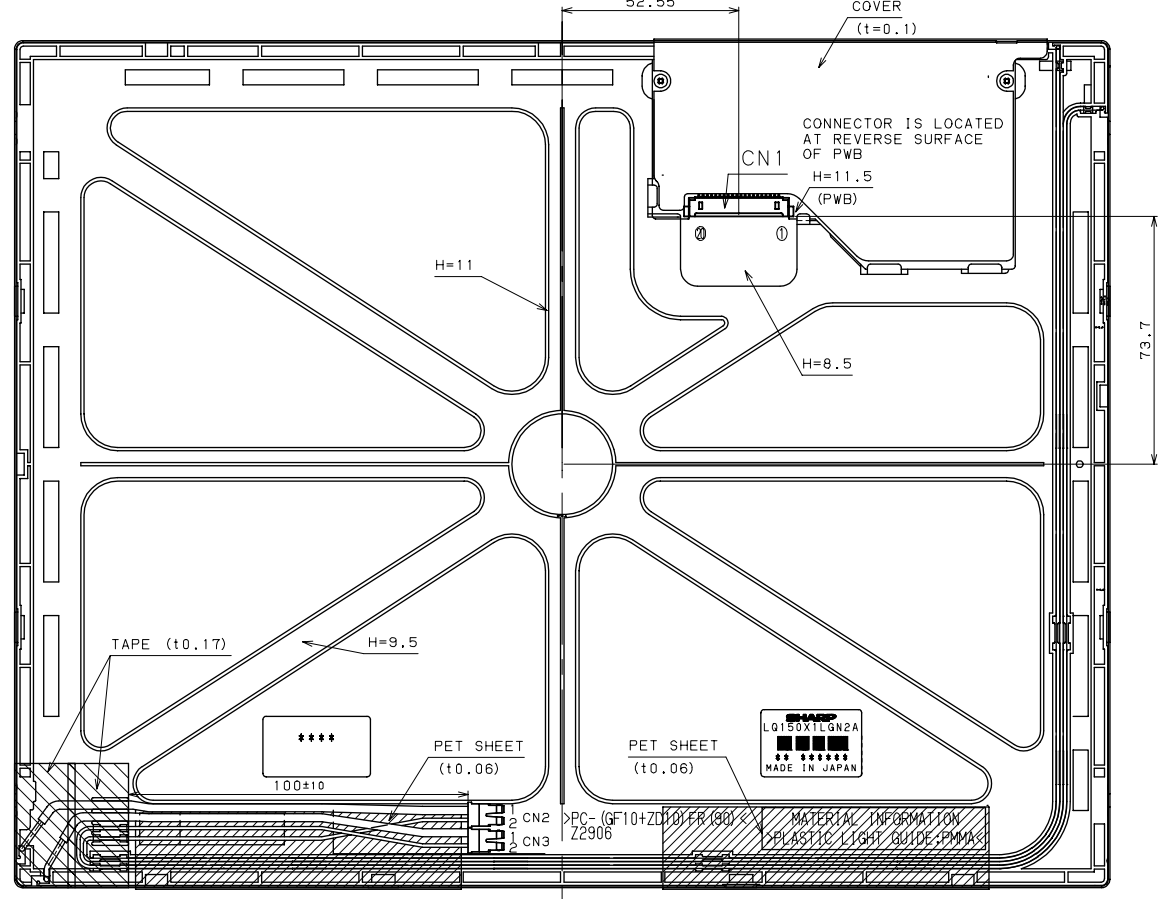


CCFT CONNECTOR
CN2, CN3: BHSR-02VS-1 (JST)
PIN ASSIGN

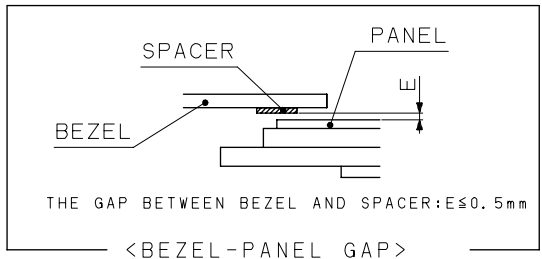
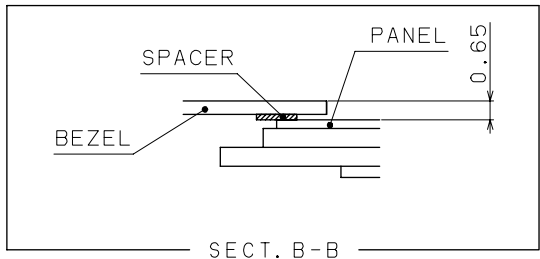
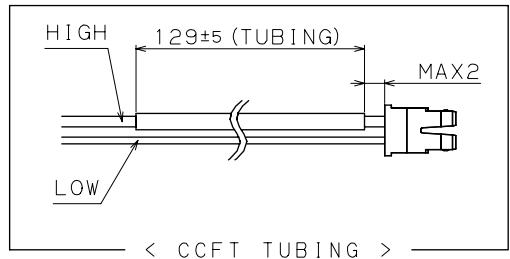
| | |
|---|------|
| 1 | HIGH |
| 2 | LOW |

I/F CONNECTOR
CN1: DF14H-20P-1, 25H (HIROSE)

| | | | |
|----------|----------|-----------|------------|
| ① Vcc | ② RXIN0+ | ③ RXIN2- | ④ GND |
| ⑤ Vcc | ⑥ GND | ⑦ RXIN2+ | ⑧ RXIN3- |
| ⑨ GND | ⑩ RXIN1- | ⑪ GND | ⑫ RXIN3+ |
| ⑬ GND | ⑭ RXIN1+ | ⑮ RXCKIN- | ⑯ GND |
| ⑰ RXIN0- | ⑱ GND | ⑳ RXCKIN+ | ㉑ LVDS_SET |

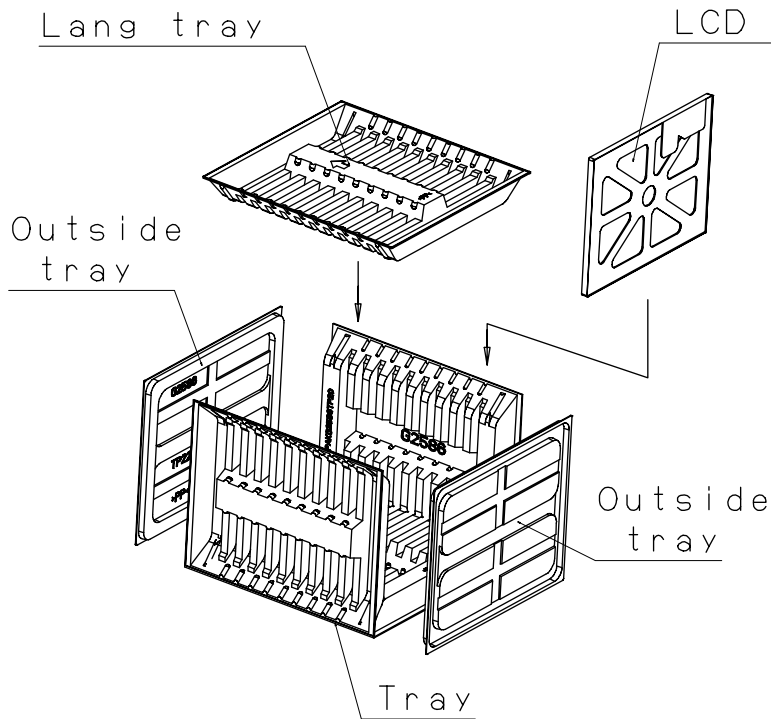


- 1) TOLERANCE X-DIRECTION A: 2.0±0.8
- 2) TOLERANCE Y-DIRECTION B: 2.0±0.8
- 3) OBLIQUITY OF DISPLAY AREA IC-DI < 0.8



- NOTES)
- 1) UNSPECIFIED TOLERANCE TO BE ±0.5.
 - 2) WARPING OF COMPONENTS SUCH AS TAPE, BEZEL, PCB, CHASSIS, FPC, PROTECTION COVER, ETC. ARE EXCLUDED FROM THICKNESS AND DIMENSIONS OF THE MODULE.

Fig.1 LQ150X1LGN2A OUTLINE DIMENSIONS



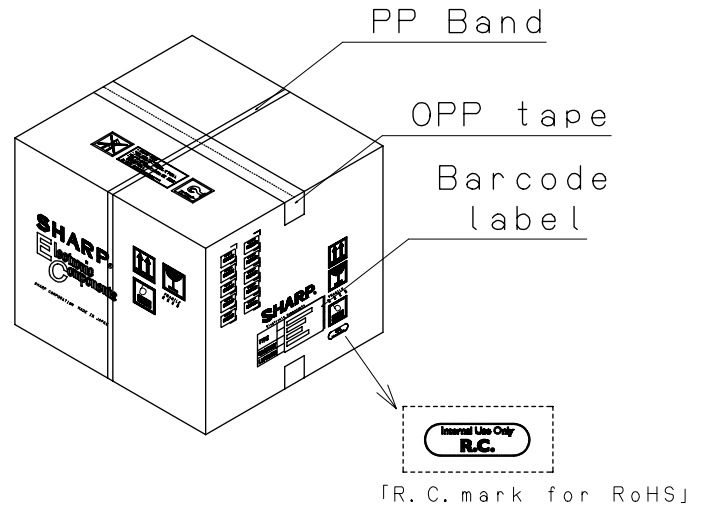
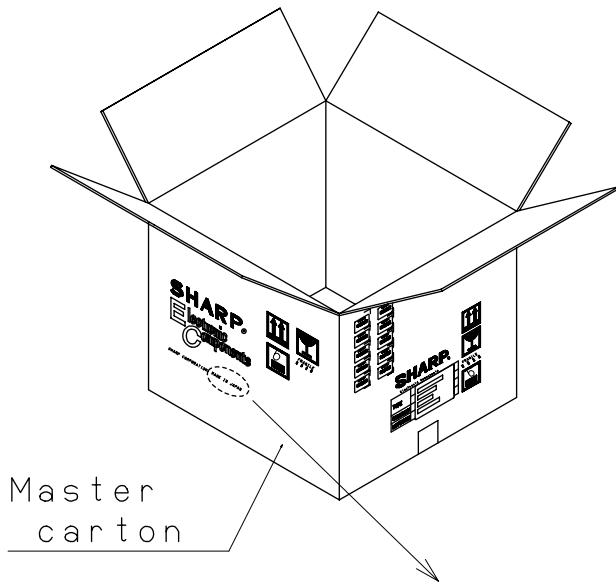
※Made in JAPAN/CHINA

| | |
|------------------------------|-----|
| 社内品番: (4S) LQ150X1LGN2A | ← ① |
| LotNO. : (1T) 2004. 12. 07 | ← ② |
| Quantity: (Q) 10 pcs | ← ③ |
| ユーザー品番 : | |
| <small>シャープ製専用ラベルです。</small> | |

※Made in TAIWAN

| | | |
|------------|--------------|-----|
| TYPE | LQ150X1LGN2A | ← ① |
| QUANTITY | 10 | ← ③ |
| LOT (DATE) | 04. 12. 07 | ← ② |

- ① Model No.
- ② Lot No. (Date)
- ③ Quantity



※A production country is JAPAN : "MADE IN JAPAN"
 A production country is CHINA : "MADE IN CHINA"
 A production country is TAIWAN : "MADE IN TAIWAN"

Fig.3 Packing Form (LQ150X1LGN2A)

SPECIFICATIONS ARE SUBJECT TO CHANGE WITHOUT NOTICE.

Suggested applications (if any) are for standard use; See Important Restrictions for limitations on special applications. See Limited Warranty for SHARP's product warranty. The Limited Warranty is in lieu, and exclusive of, all other warranties, express or implied. ALL EXPRESS AND IMPLIED WARRANTIES, INCLUDING THE WARRANTIES OF MERCHANTABILITY, FITNESS FOR USE AND FITNESS FOR A PARTICULAR PURPOSE, ARE SPECIFICALLY EXCLUDED. In no event will SHARP be liable, or in any way responsible, for any incidental or consequential economic or property damage.

SHARP[®]

NORTH AMERICA

SHARP Microelectronics of the Americas
5700 NW Pacific Rim Blvd.
Camas, WA 98607, U.S.A.
Phone: (1) 360-834-2500
Fax: (1) 360-834-8903
Fast Info: (1) 800-833-9437
www.sharpsma.com

EUROPE

SHARP Microelectronics Europe
Division of Sharp Electronics (Europe) GmbH
Sonninstrasse 3
20097 Hamburg, Germany
Phone: (49) 40-2376-2286
Fax: (49) 40-2376-2232
www.sharpsme.com

JAPAN

SHARP Corporation
Electronic Components & Devices
22-22 Nagaike-cho, Abeno-Ku
Osaka 545-8522, Japan
Phone: (81) 6-6621-1221
Fax: (81) 6117-725300/6117-725301
www.sharp-world.com

TAIWAN

SHARP Electronic Components
(Taiwan) Corporation
8F-A, No. 16, Sec. 4, Nanking E. Rd.
Taipei, Taiwan, Republic of China
Phone: (886) 2-2577-7341
Fax: (886) 2-2577-7326/2-2577-7328

SINGAPORE

SHARP Electronics (Singapore) PTE., Ltd.
438A, Alexandra Road, #05-01/02
Alexandra Technopark,
Singapore 119967
Phone: (65) 271-3566
Fax: (65) 271-3855

KOREA

SHARP Electronic Components
(Korea) Corporation
RM 501 Geosung B/D, 541
Dohwa-dong, Mapo-ku
Seoul 121-701, Korea
Phone: (82) 2-711-5813 ~ 8
Fax: (82) 2-711-5819

CHINA

SHARP Microelectronics of China
(Shanghai) Co., Ltd.
28 Xin Jin Qiao Road King Tower 16F
Pudong Shanghai, 201206 P.R. China
Phone: (86) 21-5854-7710/21-5834-6056
Fax: (86) 21-5854-4340/21-5834-6057

Head Office:

No. 360, Bashen Road,
Xin Development Bldg. 22
Waigaoqiao Free Trade Zone Shanghai
200131 P.R. China
Email: smc@china.global.sharp.co.jp

HONG KONG

SHARP-ROXY (Hong Kong) Ltd.
3rd Business Division,
17/F, Admiralty Centre, Tower 1
18 Harcourt Road, Hong Kong
Phone: (852) 28229311
Fax: (852) 28660779
www.sharp.com.hk

Shenzhen Representative Office:

Room 13B1, Tower C,
Electronics Science & Technology Building
Shen Nan Zhong Road
Shenzhen, P.R. China
Phone: (86) 755-3273731
Fax: (86) 755-3273735