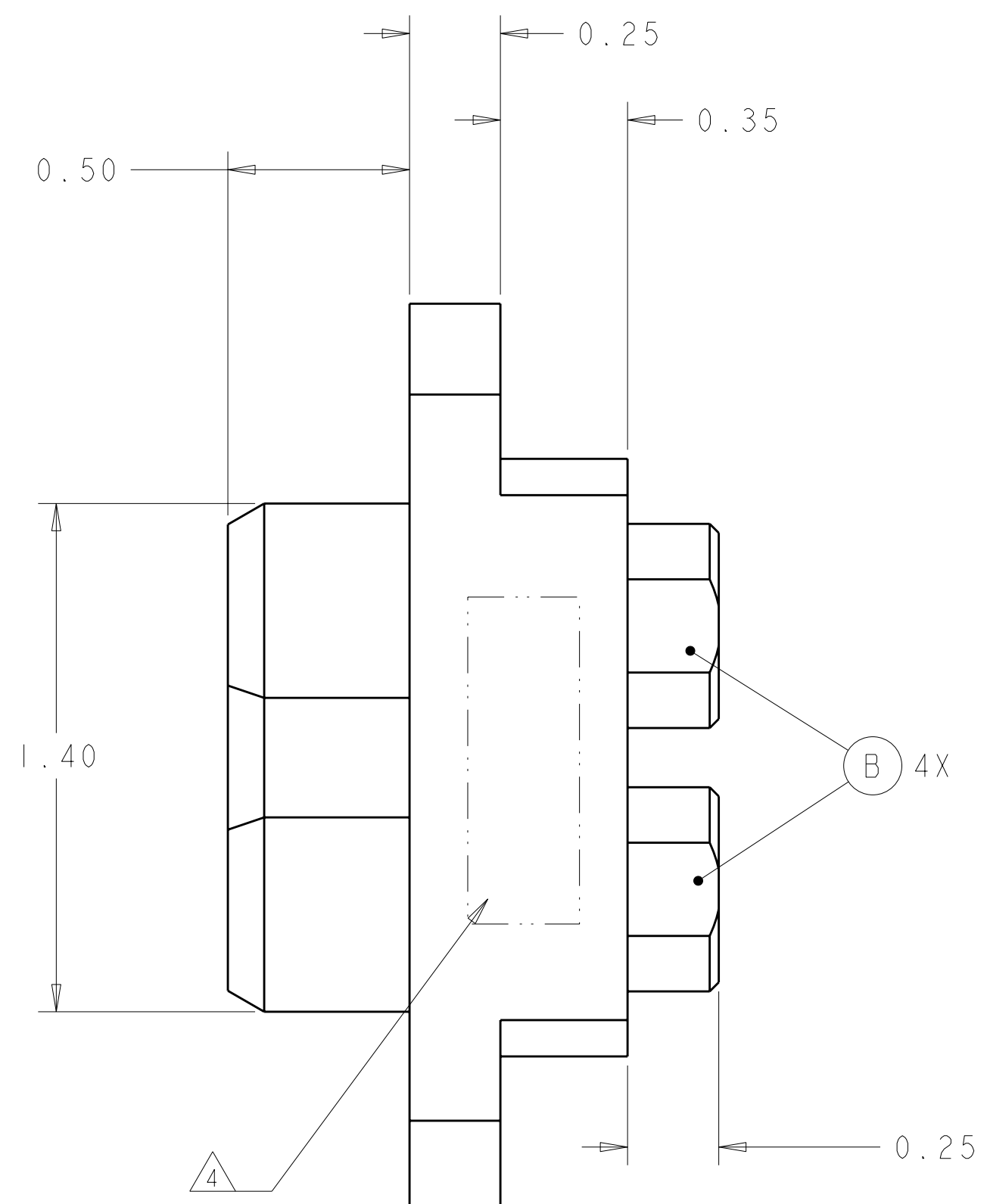
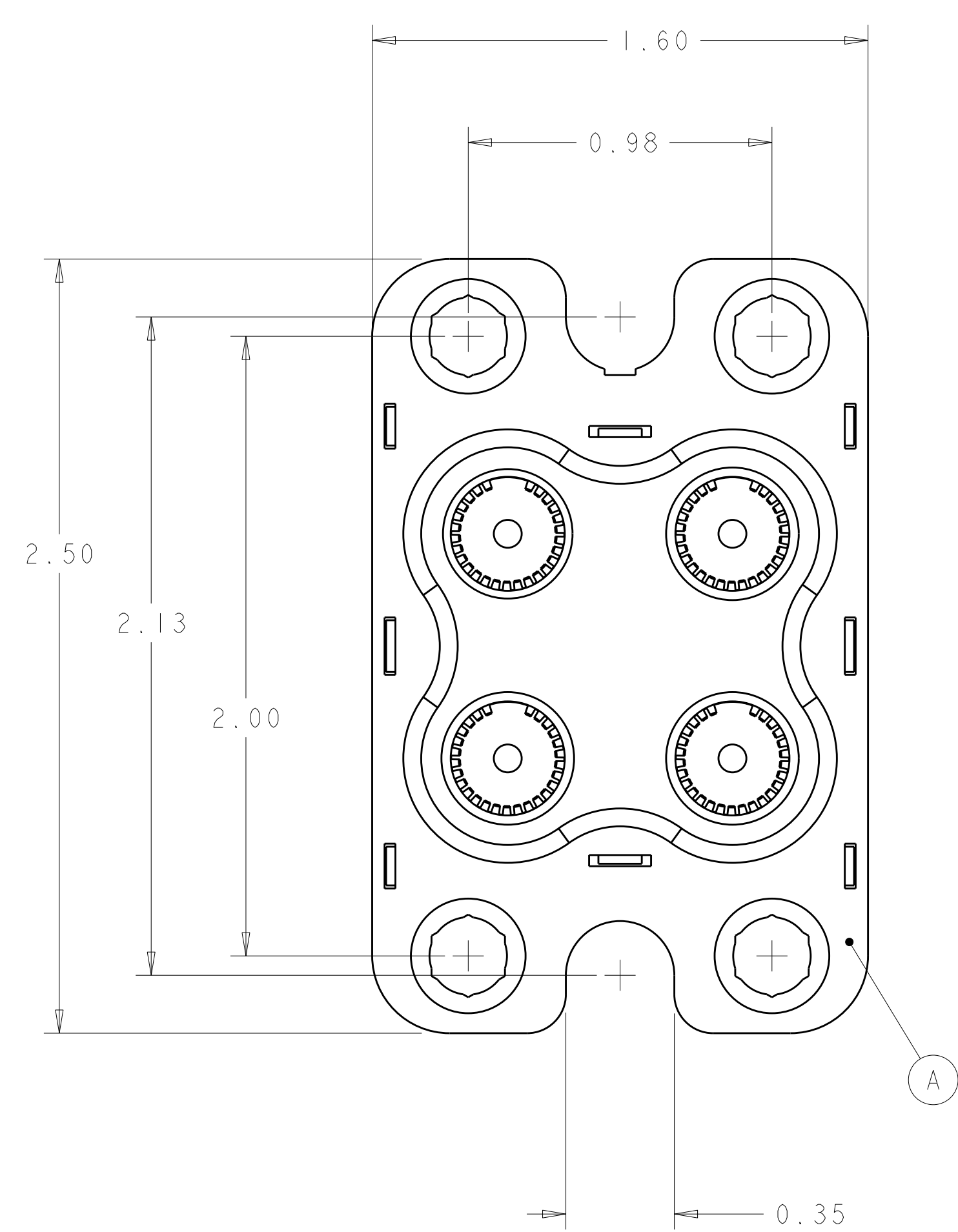


THIS DRAWING IS UNPUBLISHED. RELEASED FOR PUBLICATION 20
 © COPYRIGHT 20 BY TYCO ELECTRONICS CORPORATION. ALL RIGHTS RESERVED.

REVISIONS					
P	LTR	DESCRIPTION	DATE	DWN	APVD
A		RELEASED	06FEB2009	RG	DO



- PART NUMBER CHANGES AND OR DESIGN CHANGES AFFECTING THE INTERCHANGEABILITY REQUIRE PRIOR TYCO ELECTRONICS APPROVAL AND AUTHORIZATION BY REVISION TO THIS DRAWING.
- MATERIAL:
 INSULATORS: THERMOPLASTIC, GLASS REINFORCED, FLAMMABILITY RATED, COLOR: BLACK
 RETENTION CLIPS: BERYLLIUM COPPER
 CONTACTS: COPPER ALLOY
- FINISHES:
 CONTACTS: SILVER PLATE: .000200 MIN THK OVER
 ELECTROLESS NICKEL PLATE: .000050 MIN THK
 CROWN BAND: GOLD PLATE: .000030 MIN THK OVER
 NICKEL: .000040 MIN THK

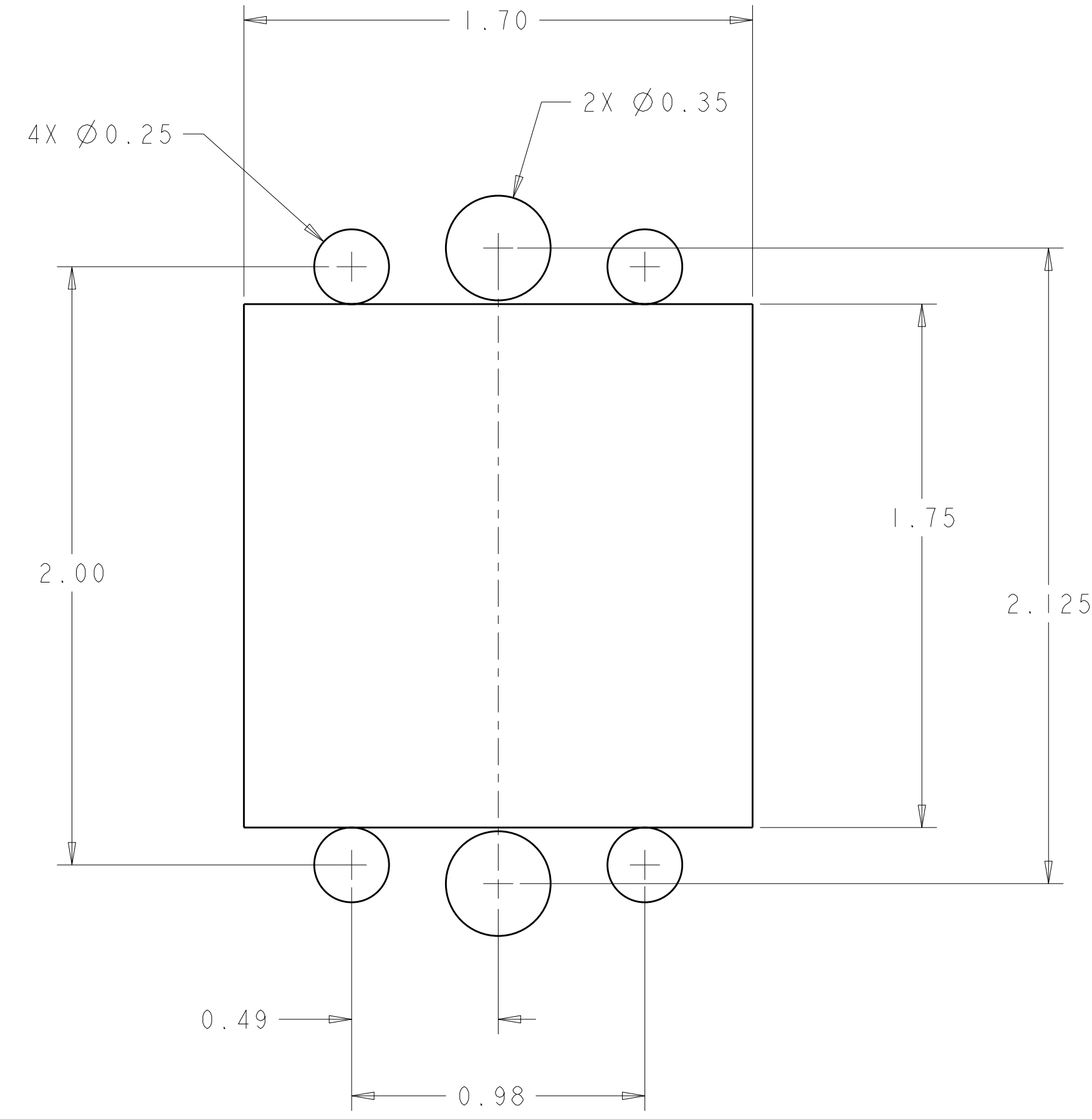
△ ITEMS PROVIDED TO THIS SPECIFICATION TO BE PERMANENTLY IDENTIFIED PER THE FOLLOWING IDENTIFIER.
 YEAR WEEK
 TYCO ELECTRONICS PN DATE CODE (e.g. 0820)
 XXXXXXXX-X XXXXX

4	6648416-1	CONTACT, SOCKET, 1/4-20 INTERNAL THD	B
1	1648574-1	HOUSING, SOCKET	A
-1	PART NO.	DESCRIPTION	ITEM

THIS DRAWING IS A CONTROLLED DOCUMENT FOR TYCO ELECTRONICS CORPORATION. IT IS SUBJECT TO CHANGE AND THE CONTROLLING ENGINEERING ORGANIZATION SHOULD BE CONTACTED FOR THE LATEST REVISION.		DWN C. ROHLER 02FEB2009 CHK D. ORRIS 02FEB2009 APVD M. PERCHERKE 02FEB2009	Tyco Electronics Harrisburg, PA 17105-3608
DIMENSIONS: INCHES	TOLERANCES UNLESS OTHERWISE SPECIFIED: 0 PLC ± 1 PLC ± 2 PLC ±.02 3 PLC ±.010 4 PLC ± ANGLES ±.5 FINISH	PRODUCT SPEC APPLICATION SPEC WEIGHT	NAME QUAD POWER CONNECTOR, SOCKET 1/4-20 INTERNAL THD DRAWER
MATERIAL		WEIGHT	SIZE CAGE CODE DRAWING NO A200779C-2085135
ELCON QUAD DRAWER		CUSTOMER DRAWING	RESTRICTED TO SCALE 5:2 SHEET 1 OF 2 REV A

THIS DRAWING IS UNPUBLISHED. RELEASED FOR PUBLICATION 20
 © COPYRIGHT 20 BY TYCO ELECTRONICS CORPORATION. ALL RIGHTS RESERVED.

LOC	DIST	REVISIONS			
P	LTR	DESCRIPTION	DATE	DWN	APVD
-	-	SEE SHEET 1	-	-	-



SUGGESTED PANEL CUTOUT

ELCON **QUAD DRAWER**

<small>THIS DRAWING IS A CONTROLLED DOCUMENT FOR TYCO ELECTRONICS CORPORATION. IT IS SUBJECT TO CHANGE AND THE CONTROLLING ENGINEERING ORGANIZATION SHOULD BE CONTACTED FOR THE LATEST REVISION.</small>		DWN C. ROHLER 02FEB2009 CHK D. ORRIS 02FEB2009 APVD M. PERCHERKE 02FEB2009	Tyco Electronics Harrisburg, PA 17105-3608
DIMENSIONS: INCHES 	TOLERANCES UNLESS OTHERWISE SPECIFIED: 0 PLC ± 1 PLC ± 2 PLC ±.02 3 PLC ±.010 4 PLC ± ANGLES ±.5 FINISH	PRODUCT SPEC APPLICATION SPEC WEIGHT CUSTOMER DRAWING	NAME QUAD POWER CONNECTOR, SOCKET 1/4-20 INTERNAL THD DRAWER SIZE CAGE CODE DRAWING NO RESTRICTED TO A200779 C-2085135 -
AMP 1471-9 REV 31MAR2000		SCALE 5:2	SHEET 2 OF 2 REV A