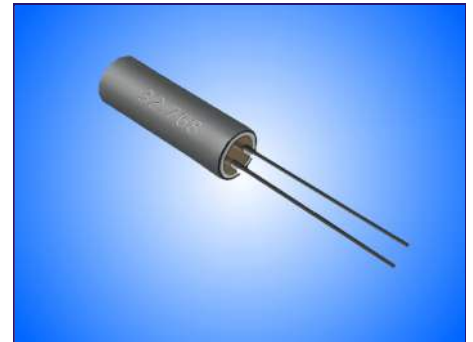


TUNING FORK CRYSTAL UNIT IN $\varnothing 2 \times 6$ MM THRU-HOLE METAL CAN PACKAGE.
PRODUCT FEATURES

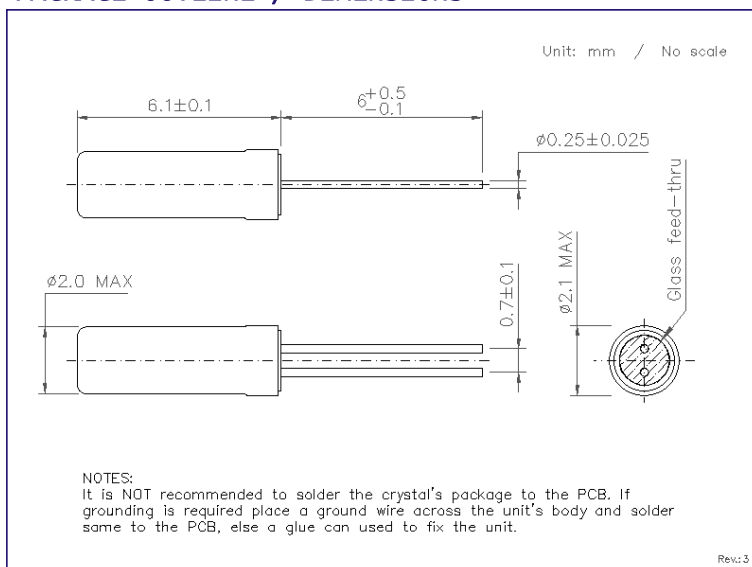
- Package dimensions $\varnothing 2 \times 6$ mm with 2 leads.
- Reliable vacuum sealed metal can package.
- Suitable for low power consumption applications.
- ROHS compliant, LEAD-FREE and HALOGEN-FREE.

PRODUCT PHOTO (NOT IN SCALE)

APPLICATIONS

- Real time clocks
- TV, LCD monitors
- Timer and controllers
- Cable modems

PRODUCT SPECIFICATIONS

PARAMETER	FL26T2		CONDITIONS / REMARKS
Nominal frequency range	32.768kHz	28 ~ 80kHz	Please contact us for available frequencies.
Vibration mode	Fundamental		
Frequency tolerance	± 20 ppm / ± 30 ppm / ± 50 ppm / ± 100 ppm		Other options available.
Stability over temperature	-0.036 ppm/ $^{\circ}$ C ²	-0.034 ppm/ $^{\circ}$ C ²	Parabolic coefficient.
Operating temperature range	-20 to $+70^{\circ}$ C or -40 to $+85^{\circ}$ C		Other options available.
Turnover temperature	$+25 \pm 5^{\circ}$ C		
Equivalent series resistance (ESR)	< 40 k Ω	< 40 k Ω < 30 k Ω	< 40 k Ω > 40 k Ω
Shunt capacitance	1.8pF	2.0pF	Typical
Motional capacitance	3.0fF	1.5~4.0fF	Depending on frequency.
Load capacitance	6 ~ 12.5pF	6~32pF or SERIES	Please specify.
Drive level	0.1 μ W TYP / 1.0 μ W MAX		
Aging first year	± 5 ppm		At $+25^{\circ}$ C

PACKAGE OUTLINE / DIMENSIONS

PACKAGING INFORMATION

- Bulk packaging.
- QTY per bag: 1,000pcs MAX
- QTY per box: 20 bags MAX

RECOMMENDED WAVE SOLDER PROFILE
