

© 1969 BY AMP INCORPORATED. ALL RIGHTS RESERVED. AMP PRODUCTS COVERED BY U.S. PATENTS AND/OR PATENTS PENDING.

REVISIONS				
ZONE	LTR	DESCRIPTION	DATE	APPROVED
	U	REVISED PER 0010-0570-95	6-30-95	RB-3
	V	REV PER EC 0320-209-97	7-7-97	NS
	W	REV PER 0651-0010-98	8-11-98	RB NS
	W1	REVISED PER -ECO-09-026444	27NOV08	KK AEG

PART NO.	NO. OF POS.	A	B	C	D
583533-1	3				
	4				
	5				
	6				
	7				
	8				
	9				
	10				
	11				
	12				
	13				
	14				
	15				
	16				
	17				
	18				
	19				
	20				
	21				
	22				
	23				
	24				
	25				
	26				
	27				
	28				
	29				
	30				
	31				
	32				
	33				
	34				
	35				
	36				
	37				
	38				
	39				
	40				
	41				
	42				
	43				
	44				
	45				
	46				
	47				
	48				
	49				
	50	.125	6.125	.125	6.375
	51	.125	6.250	.125	6.500
	60	.125	7.375	.125	7.625

OBSOLETE 6

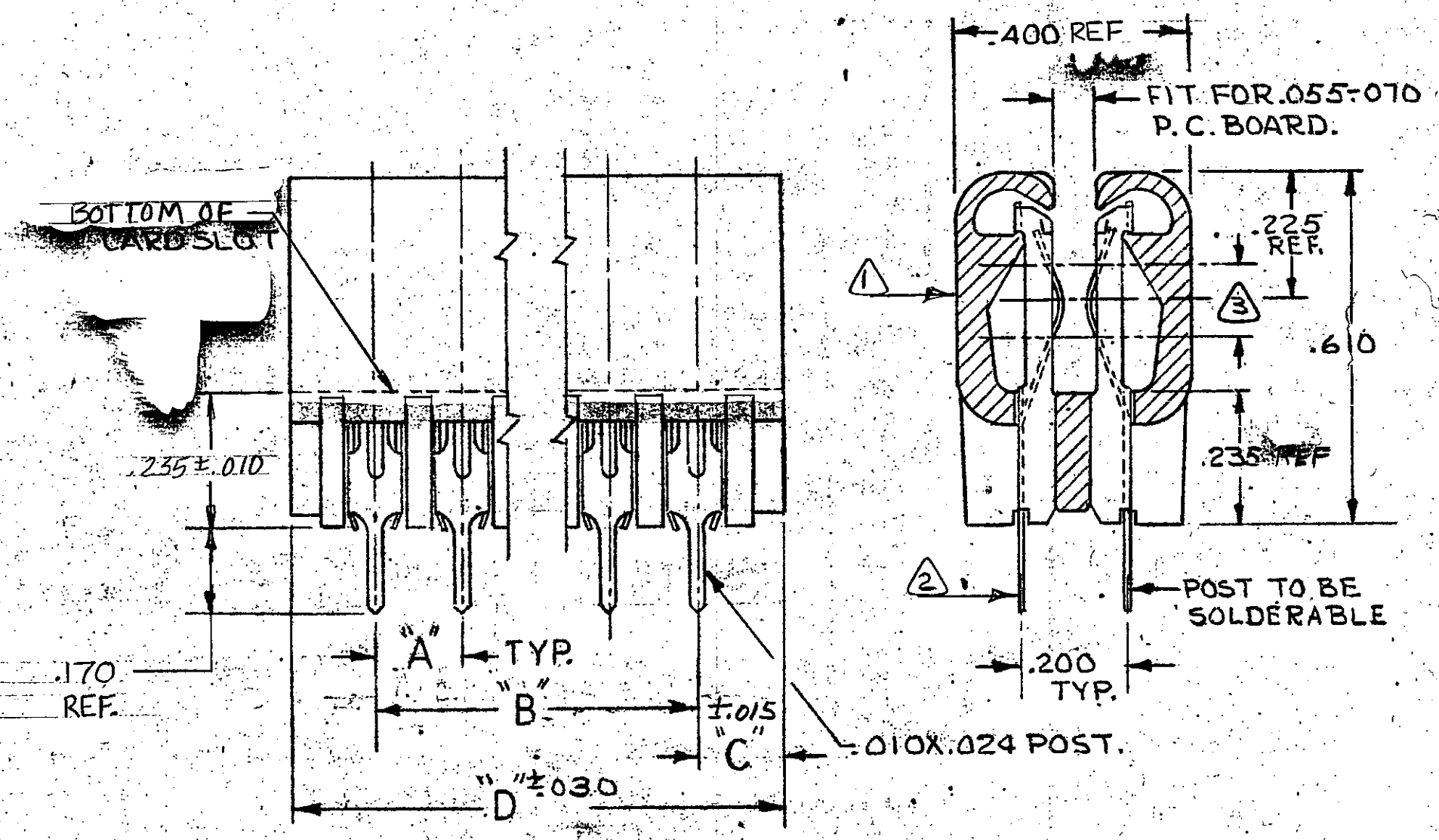
OBSOLETE 6

OBSOLETE 6

OBSOLETE

OBSOLETE 6

5



- 3. FINISH: .000015 GOLD. SELECTIVE.
- 4. SEE SHEET 2 FOR RECOMMENDED PRINTED CIRCUIT BOARD LAYOUT.
- 5. FINISH: .000030 GOLD SELECTIVE.
- 6. OBSOLETE PARTS: OBSOLETE CIS STREAMLINING PER D.RENAUD/D.SINISI

NUMBER 583533  
CUST.

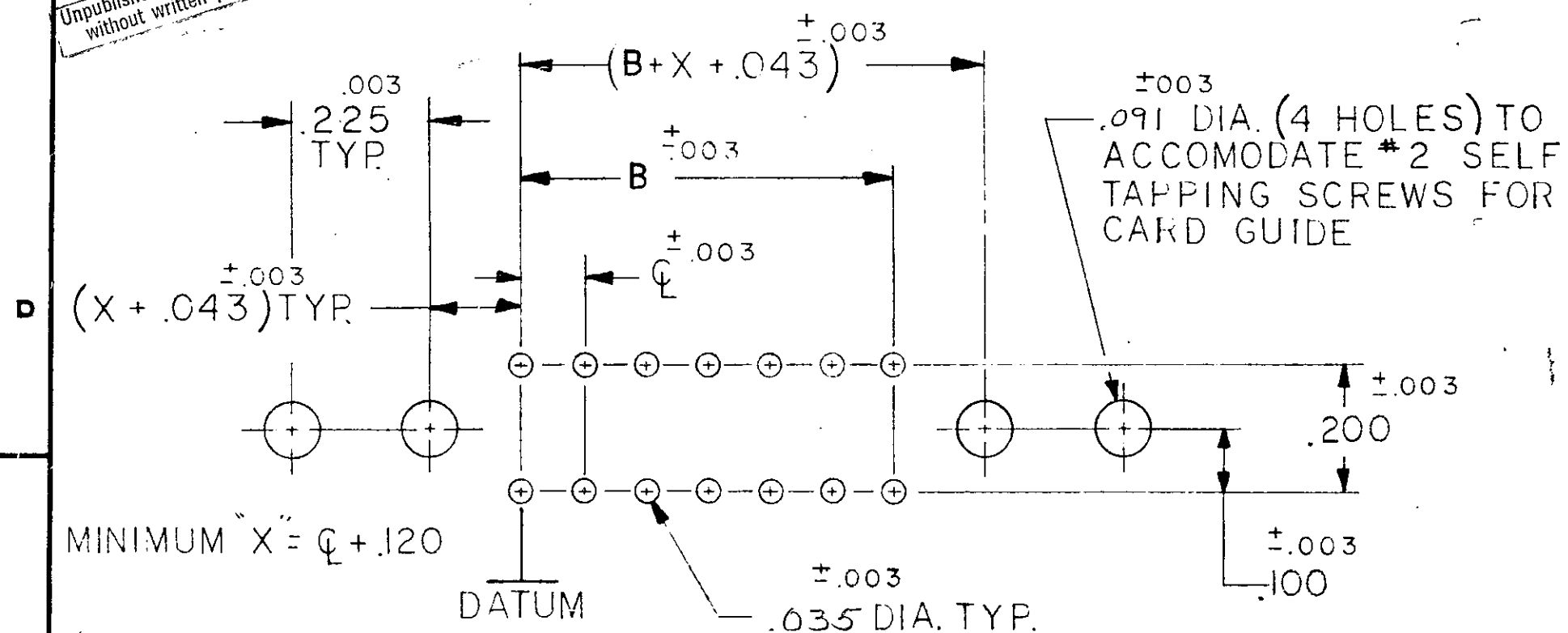
UNLESS OTHERWISE SPECIFIED, DIMENSIONS ARE IN INCHES TOLERANCES ON: DECIMALS ±.005 ANGLES ±.1	CONTRACT NO.	AMP INCORPORATED HARRISBURG, PENNSYLVANIA	
	DR <i>Rumble 1-29-73</i>		
MATERIAL △HOUSING: GLASS FILLED POLYESTER COLOR: BLACK △CONTACT: PHOS. BRONZE	CHK <i>M Ziegler 2-5-73</i>	NAME HOUSING ASS'Y, TWIN LEAF, 125 C, SOLDER TYPE POST, .010X.024	
	APPD <i>Jerry M Brown 2-5-73</i>	SIZE C	CODE IDENT NO. 00779
	REL <i>R. Trumpis 3/13/73</i>	NUMBER 583533	
	DSGN APPD	SCALE N	
	OTHER APPD	SHEET 1 OF 2 SHTS.	

CUSTOMER DRAWING

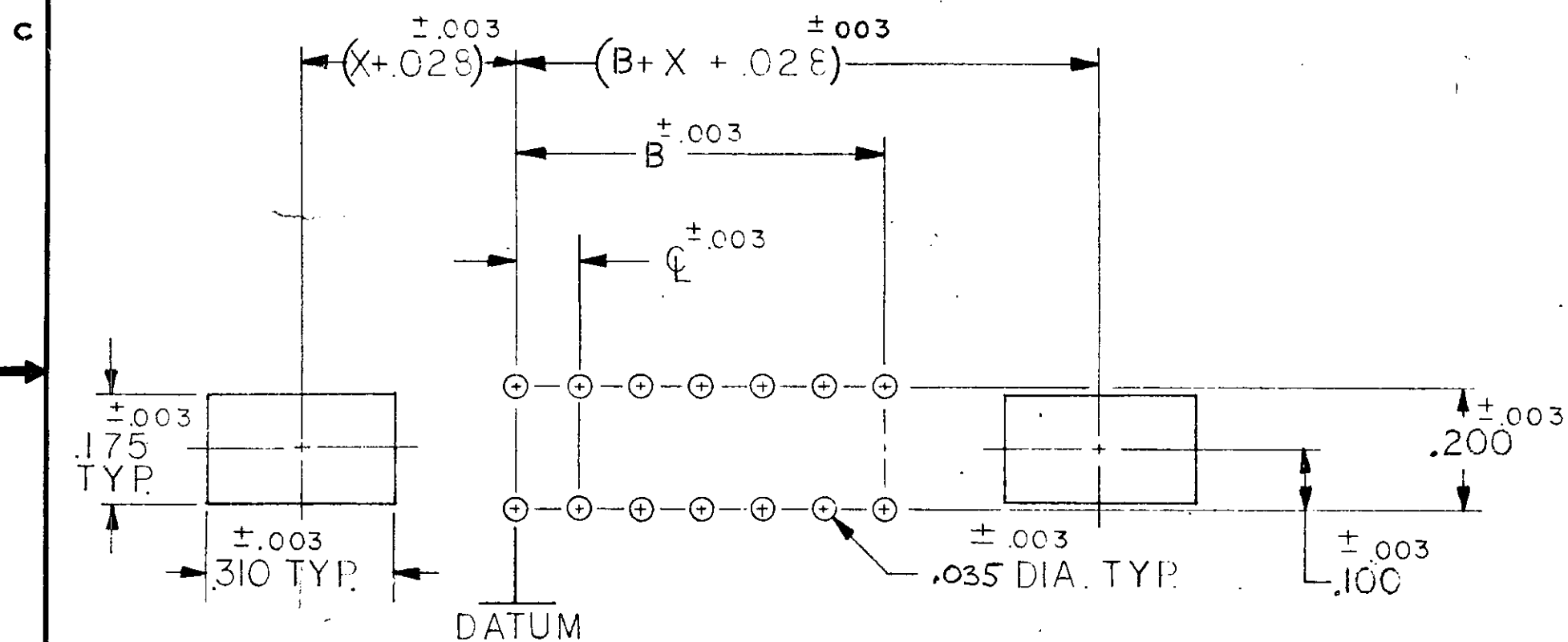
© 1969 BY AMP INCORPORATED. ALL RIGHTS RESERVED. AMP PRODUCTS COVERED BY PATENTS AND/OR PATENTS PENDING.

Unpublished copy not to be reproduced without written permission of AMP.

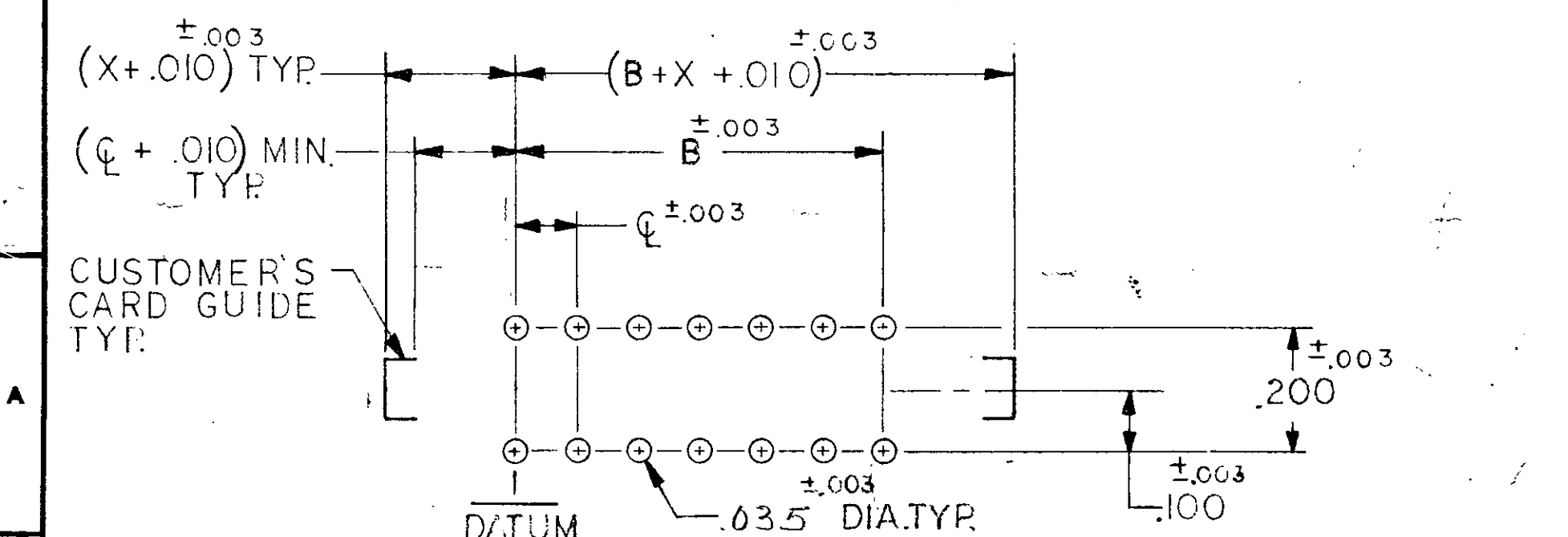
REVISIONS				
ZONE	LTR	DESCRIPTION	DATE	APPROVED
SEE SHEET 1				



BOARD LAYOUT FOR USE WITH AMP CARD GUIDE PART NO. 583671



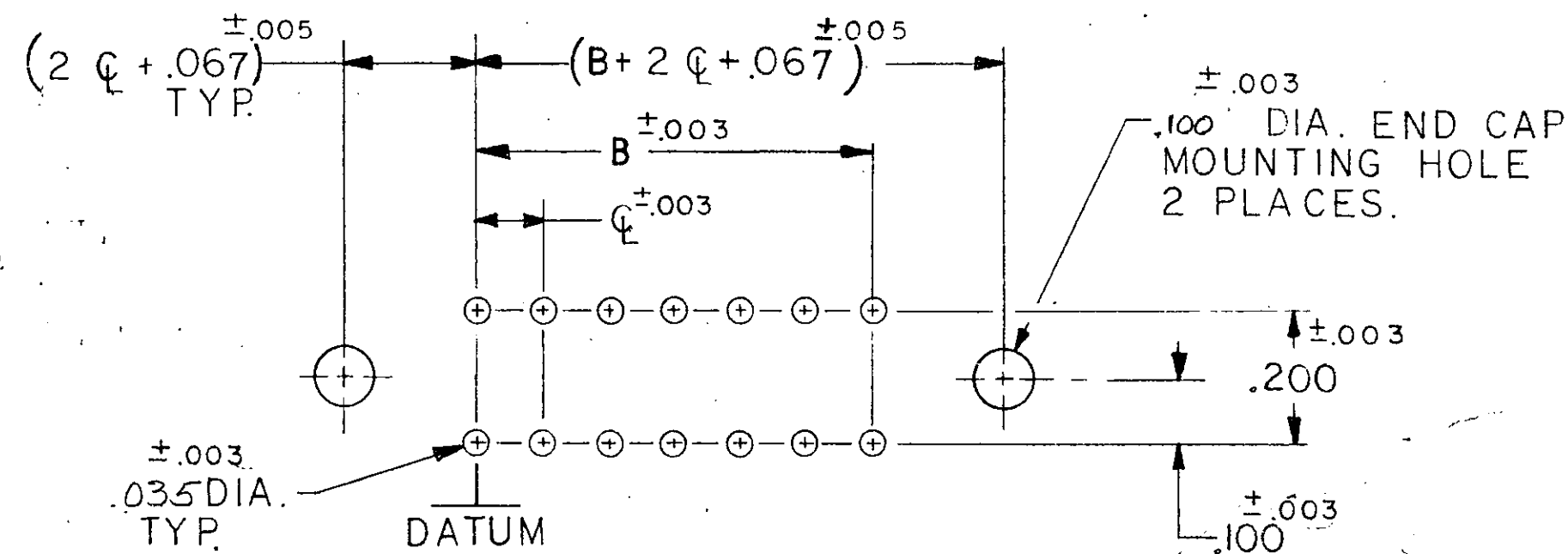
BOARD LAYOUT FOR USE WITH AMP CARD GUIDE PART NO. 583408 CR 583425



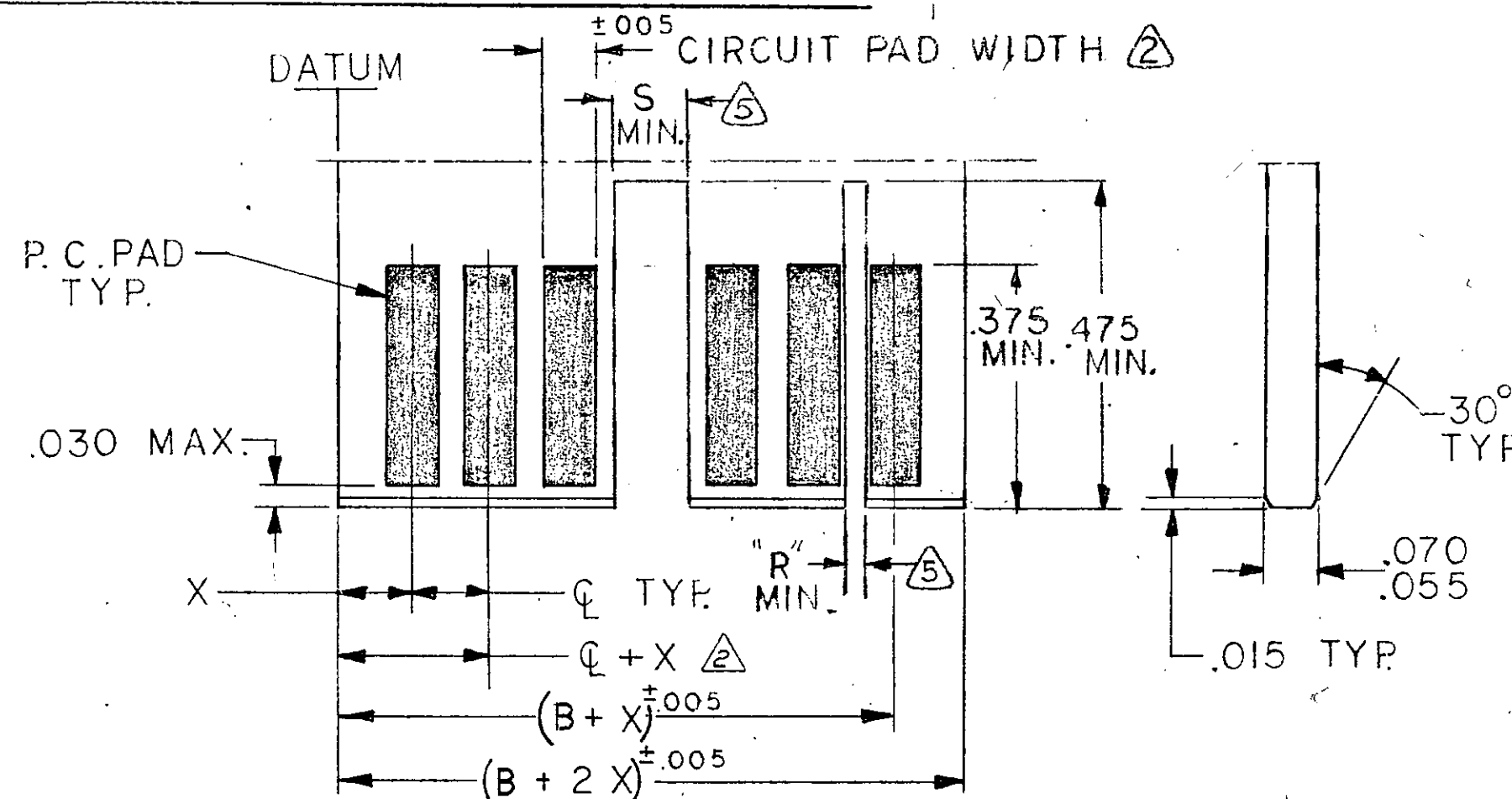
BOARD LAYOUT FOR USE WITH CUSTOMER SUPPLIED CARD GUIDE

THE SLOT FOR INTER-CONTACT KEYING PLUGS MUST BE CENTERED BETWEEN THE PRINTED CIRCUIT PADS, WHILE THE SLOT FOR ON-CONTACT KEYING PLUGS MUST BE CENTERED ON THE AREA OF A PRINTED CIRCUIT PAD.

INTER-CONTACT KEYING PLUG	"R" FOR CENTER LINE SPACING	ON CONTACT KEYING PLUG	"S" FOR CENTER LINE SPACING
530030-1	.050	583714-1	.129
530030-2	.040	583714-2	.160



BOARD LAYOUT FOR USE WITH END CAP



DAUGHTER BOARD LAYOUT

- MAX. ALLOWABLE WARPAGE OF MOTHER BOARD NOT TO EXCEED .005/IN. MAX. ALLOWABLE BOW OF DAUGHTER BOARD NOT TO EXCEED .010/IN. THICKNESS OF MOTHER BOARD IS .062 FOR DOUBLE SLOTTED CARD GUIDES AND .104 MAX. FOR ALL OTHER MOUNTING CONDITIONS.
- EACH PAD LOCATION INCREASES BY  $C \pm .005$  WITH A NON-CUMULATIVE TOLERANCE OF  $\pm .005$ .  
CIRCUIT PAD WIDTH - .052 FOR .100 C  
.072 FOR .125 C  
.072 FOR .150 C  
.080 FOR .156 C
- DIMENSIONS APPLY TO BOTH SIDES OF DAUGHTER BOARD.
- INCREMENTS ON MOTHER BOARD HAVE  $\pm .003$  NON-CUMULATIVE TOLERANCE.
- "X" IS A CUSTOMER CONTROLLED DIMENSION EXCEPT FOR END CAP ASSEMBLIES WHERE "X" =  $C - .003$

UNLESS OTHERWISE SPECIFIED, DIMENSIONS ARE IN INCHES TOLERANCES ON: DECIMALS ± ANGLES ±	CONTRACT NO.	AMP INCORPORATED HARRISBURG, PENNSYLVANIA			
	DR				
	CHK	NAME			
	APPD.	HOUSING ASSEMBLY TWIN LEAF CONNECTOR .125 CENTERS			
MATERIAL	REL	SIZE	CODE IDENT NO.	NUMBER	
	DSGN APPD	C	00779	583533	
	OTHER APPD	SCALE	SHEET 2 OF 2 SHFS.		

CUSTOMER DRAWING

NUMBER 583533

B

A

PRINT DIST 20

AMP 1471-1 REV (5/68)