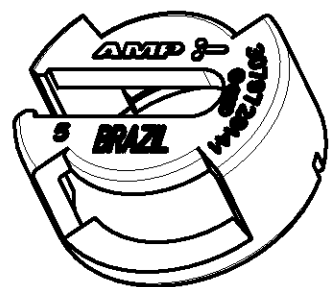
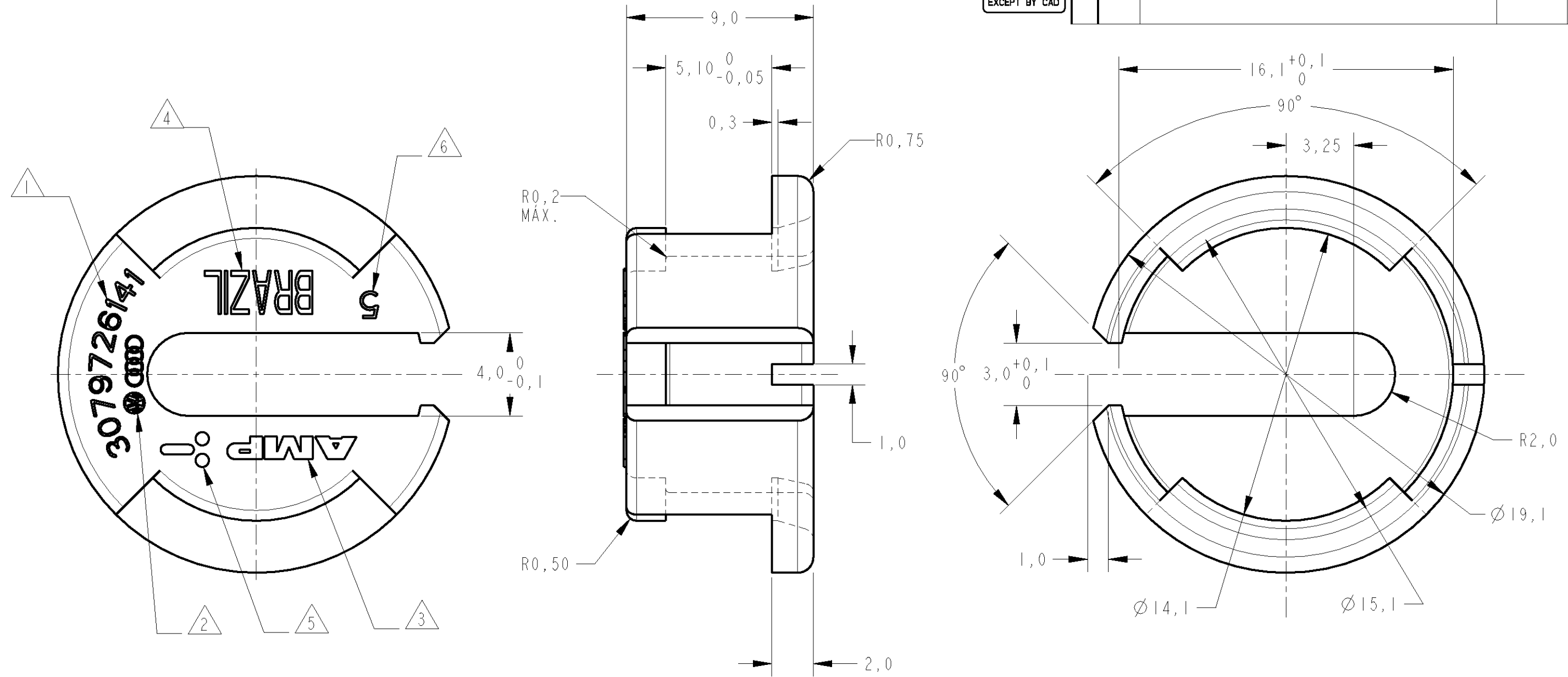
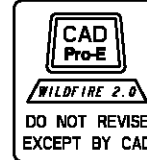


LOC	DIST	REVISIONS			
P	LTR	DESCRIPTION	DATE	DWN	APVD
AP	-	CI	REDRAWN BY CAD ECO-08-013813	16JUN2008	NCL GO



PERSPECTIVE VIEW
SCALE 2:1

GRAVAÇÕES MARKINGS	
LOGOTIPO TE TE LOGO	3
CÓDIGO PAÍS PRODUTOR MANUFACTURER COUNTRY CODE	5
NÚMERO CAVIDADE CAVITY NUMBER	6
LOGOTIPO CLIENTE CUSTOMER LOGO	2
NÚMERO PEÇA CLIENTE CUSTOMER PART NUMBER	1
PAÍS PRODUTOR MANUFACTURER COUNTRY	4

307 972 6141		VIOLETA / VIOLET	PA 6.6 + 25%±0,3 FV	881305 -1
PART NUMBER VW		FINISH	MATERIAL	PART NUMBER
<small>THIS DRAWING IS A CONTROLLED DOCUMENT FOR TYCO ELECTRONICS CORPORATION IT IS SUBJECT TO CHANGE AND THE CONTROLLING ENGINEERING ORGANIZATION SHOULD BE CONTACTED FOR THE LATEST REVISION.</small>		DWN NCLAPRESA 16JUN2008	TYCO ELECTRONICS Brasil LTDA. Sao Paulo, Brasil	
DIMENSIONS: mm		CHK PLFARIA 16JUN2008	NAME SECONDARY LOCKING COVER FOR 2 POSN., SEALING	
		APVD GOLIVEIRA 16JUN2008		
TOLERANCES UNLESS OTHERWISE SPECIFIED: 0 PLC ±- 1 PLC ±0,1 2 PLC ±- 3 PLC ±- 4 PLC ±- ANGLES ±-		PRODUCT SPEC -	SIZE A3 CAGE CODE 00779 DRAWING NO C-881305 RESTRICTED TO -	
MATERIAL SEE TABLE		APPLICATION SPEC -	SCALE 3:1 SHEET 1 OF 1 REV CI	
		WEIGHT -	CUSTOMER DRAWING	