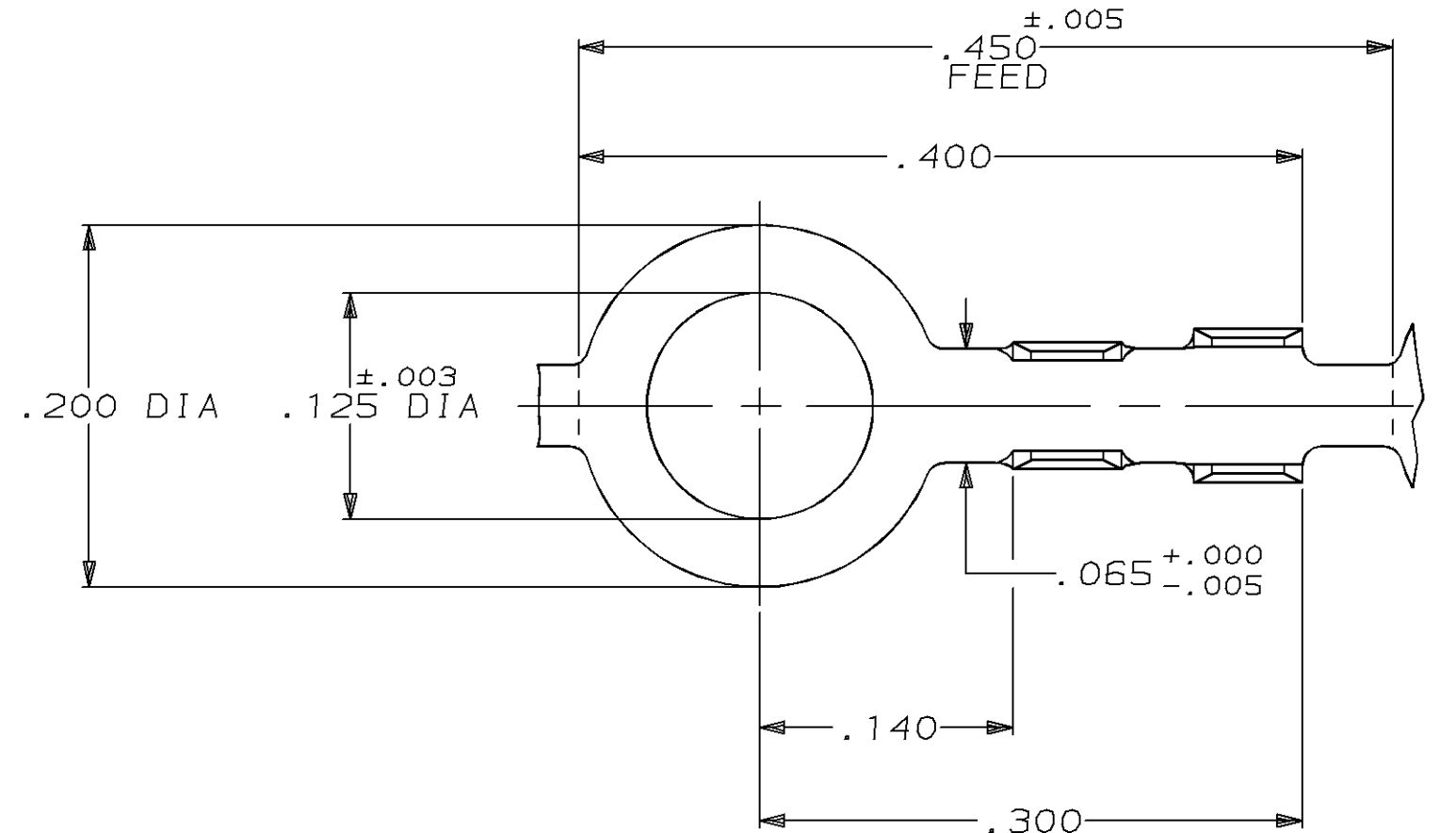
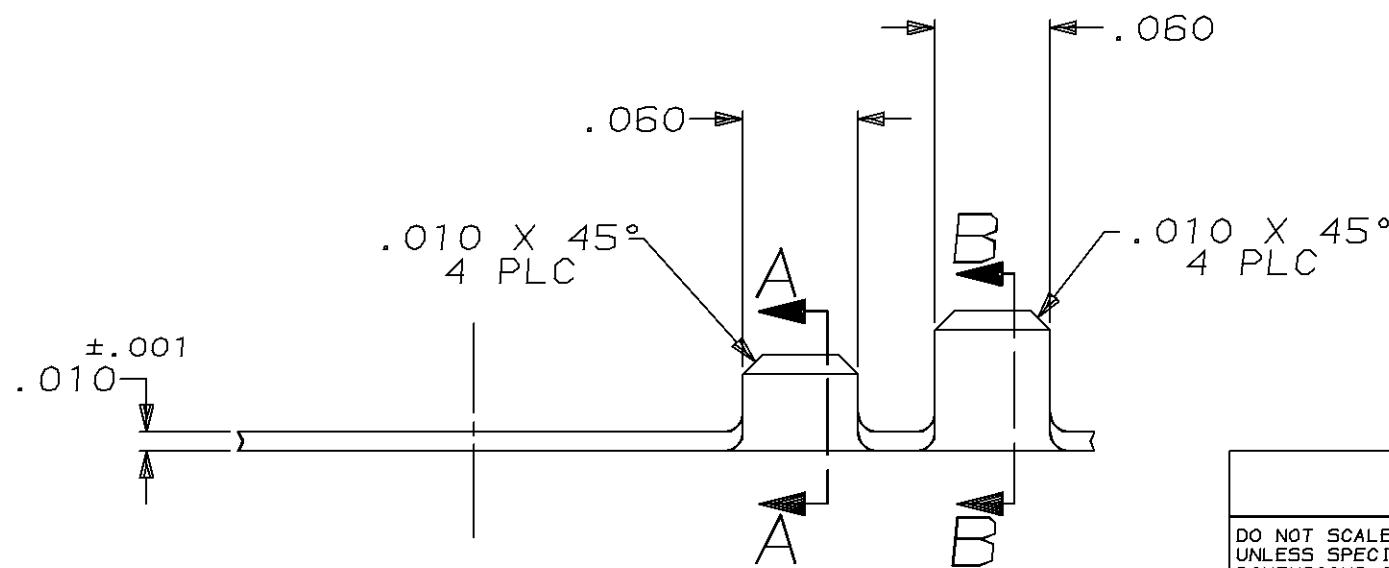
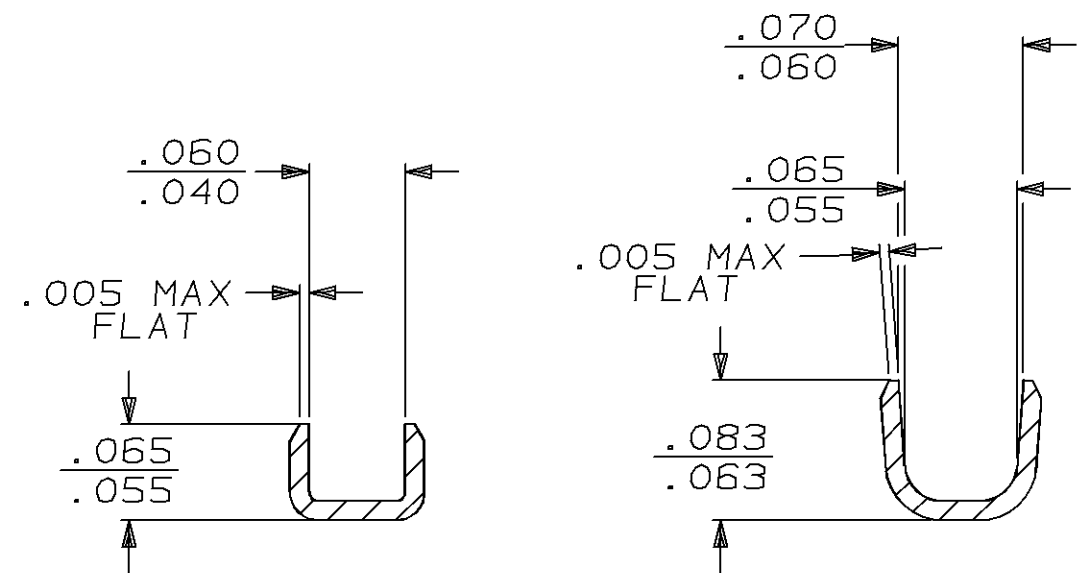


THIS DRAWING IS UNPUBLISHED. RELEASED FOR PUBLICATION, 19
 © COPYRIGHT 19 BY AMP INCORPORATED. ALL INTERNATIONAL RIGHTS RESERVED.

LOC	DIST	P	F	REVISIONS				DATE	APPD
AF	50			ZONE	LTR	DESCRIPTION			
					H	REVISED PER 0521-94	10/12/94	PF/GY	



1 CONTINUOUS STRIP ON REELS



61743-1

PART NO

AMP AMP Incorporated
 Harrisburg, PA 17105-3608

RING, SPECIAL

DO NOT SCALE PRINT. UNLESS SPECIFIED DIMENSIONS IN INCHES TOLERANCES ON: 2 PLC DEC ± - 3 PLC DEC ± .015 ANGLES ± 1°	DR 4/18/90 P FORTNEY
MATERIAL 1/2 HARD PHOS BRONZE	CHK 4/18/90 JR RUTH
FINISH -	APPD 4/18/90 G YETTER
	APPD 4/18/90 R KUZO
	PRODUCT SPEC -
	APPLICATION SPEC -
	WEIGHT -

NAME	RING, SPECIAL	
SIZE	CAGE CODE	DRAWING NO
B	00779	61743
SCALE	SHEET	
10:1	1 OF 1	