

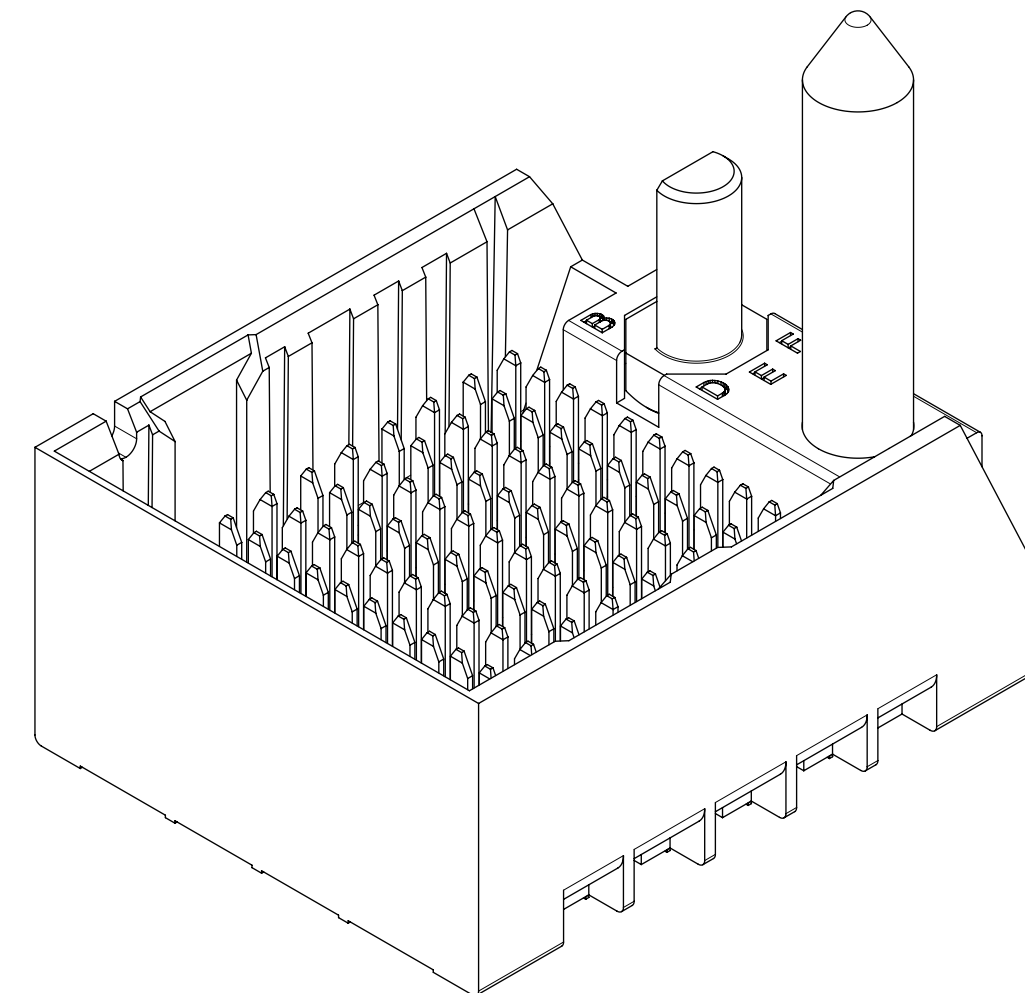
- NOTES:
1. MATERIALS: HOUSING - LIQUID CRYSTAL POLYMER (LCP) GLASS-FILLED, UL94V-0
TERMINALS - HIGH PERFORMANCE COPPER ALLOY
 2. FINISH: 30µ INCH MIN GOLD IN CONTACT AREA.
SELECTIVE MATTE TIN ON PCB TAILS, NICKEL OVERALL.
 3. REFER TO MOLEX PRODUCT SPECIFICATION PS-170540-999 FOR PERFORMANCE SPECIFICATIONS AND ADDITIONAL PCB INFORMATION.
 4. REFER TO MOLEX PCB ROUTING GUIDE AS-76060-990 FOR ANTIPAD AND ROUTING RECOMMENDATIONS.
 5. CONNECTORS SUPPLIED WITH A 2-56 UNC-2A SCREW.
 6. "THESE DIMENSIONS REPRESENT THE AREA NEEDED TO ACCOMMODATE CONNECTOR INSERTION AND REPAIR ON THE PC BOARD. THIS IS REFERRED TO AS THE "CONNECTOR KEEP OUT ZONE" AND DOES NOT REPRESENT THE ACTUAL PERIMETER OF THE CONNECTOR. WHEN LAYING OUT THE PC BOARD FOR CONNECTORS STACKED TOGETHER, USE A 1.9mm PROGRESSION."
 7. THIS PART CONFORMS TO MOLEX COSMETIC SPEC PS-45499-002 CLASS B.
 8. PARTS PACKAGED PER PK-70873-757.
 9. SEE SHEETS 2 & 3 FOR PART NUMBERS AND BOARD RELATIONSHIPS.
 10. FOR GROUNDED GUIDE PINS USE $\varnothing 3.56 \pm 0.08$ (PTH), $\varnothing 3.66$ (DRILL) & $\varnothing 6.5$ (PAD).
 11. KEEP OUT ZONE FOR BP HOUSING LENGTH INCLUDES AN ADDITIONAL 1.0MM TO ACCOMMODATE FOR SPACE REQUIRED BY DC FRONT HOUSING.
 12. MINIMUM CIRCUIT BOARD THICKNESS: 1.0mm

SYMBOLS		THIS DRAWING CONTAINS INFORMATION THAT IS PROPRIETARY TO MOLEX ELECTRONIC TECHNOLOGIES, LLC AND SHOULD NOT BE USED WITHOUT WRITTEN PERMISSION	
DIMENSION UNITS	SCALE	CURRENT REV DESC: MIGRATED TO NX	
$\nabla = 0$	mm	4:1	
$\nabla = 0$	GENERAL TOLERANCES (UNLESS SPECIFIED)		
$\nabla = 0$	ANGULAR TOL	$\pm 0.5^\circ$	
$\nabla = 0$	4 PLACES	\pm	
$\nabla = 0$	3 PLACES	\pm	
$\nabla = 0$	2 PLACES	± 0.13	
$\nabla = 0$	1 PLACE	± 0.25	
$\nabla = 0$	0 PLACES	\pm	
$\nabla = 0$	DRAFT WHERE APPLICABLE MUST REMAIN WITHIN DIMENSIONS		
	THIRD ANGLE PROJECTION	DRAWING	SERIES
		C-SIZE	170335
	EC NO: 172491	DRWN: VK10	2018/02/19
	DRWN: VK10	CHK'D: DVARVARA	2018/02/20
	APPR: TELO		2018/02/22
	INITIAL REVISION:	DRWN: JBINGHAM	2012/11/13
		APPR: JLAURX	2012/11/16
	DOCUMENT NUMBER	DOC TYPE	DOC PART
	SD-170335-0003	PSD	001
	MATERIAL NUMBER	CUSTOMER	SHEET NUMBER
	SEE CHART	GENERAL MARKET	1 OF 3

DOCUMENT STATUS	P1	RELEASE DATE	2018/02/22	16:21:50

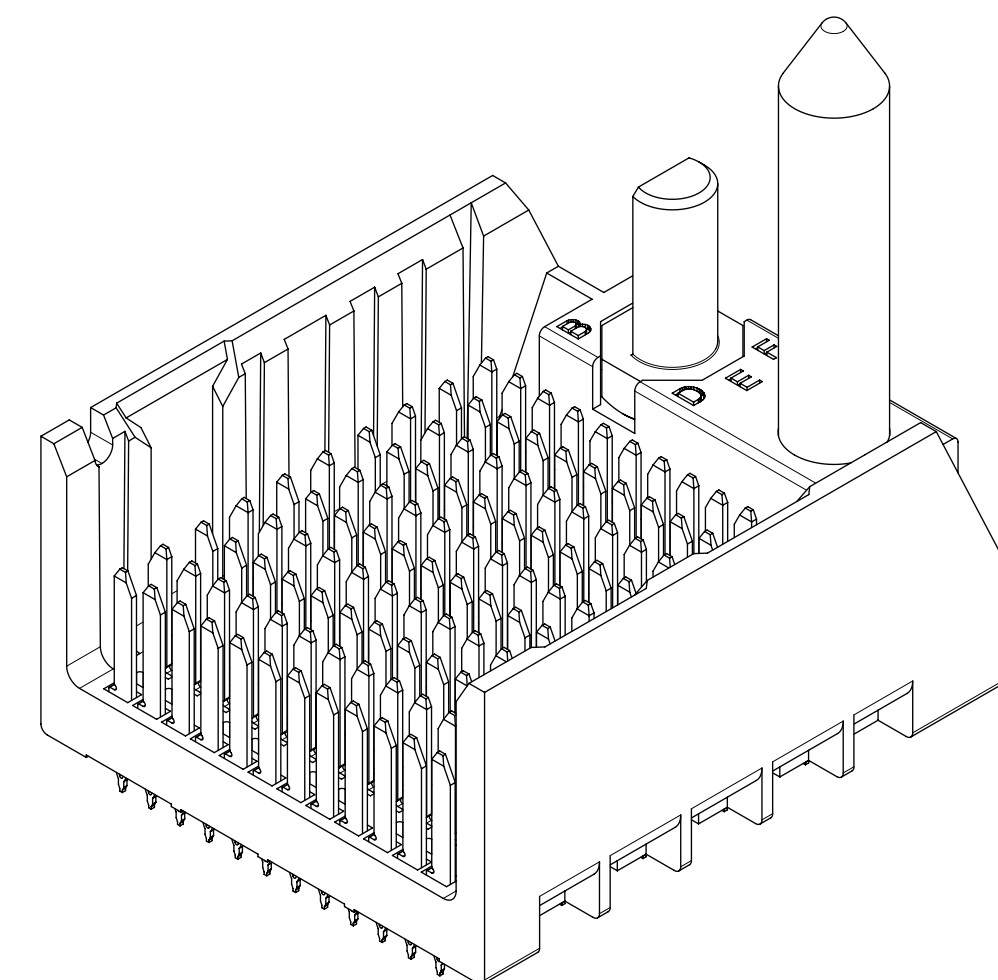
PART NUMBER CHART

MATERIAL NUMBER	# OF COLUMNS	# OF DIFF PAIR	DIM "A"	DIM "B"	GUIDE RIGHT END WALL OPTION
170335-93**	6	24	19.3	9.50	
170335-98**	8	32	23.1	13.30	
170335-91**	10	40	26.9	17.10	
170335-92**	12	48	30.7	20.90	
170335-94**	14	56	34.5	24.70	
170335-96**	16	64	38.3	28.50	



GUIDE RIGHT
END WALL
OPTION

MATERIAL NUMBER	# OF COLUMNS	# OF DIFF PAIR	DIM "A"	DIM "B"	GUIDE RIGHT OPEN WALL OPTION
170335-53**	6	24	17.9	9.50	
170335-58**	8	32	21.7	13.30	
170335-51**	10	40	25.5	17.10	
170335-52**	12	48	29.3	20.90	
170335-54**	14	56	33.1	24.70	
170335-56**	16	64	36.9	28.50	



GUIDE RIGHT
OPEN WALL
OPTION

PART NUMBER LOGIC 170335-****

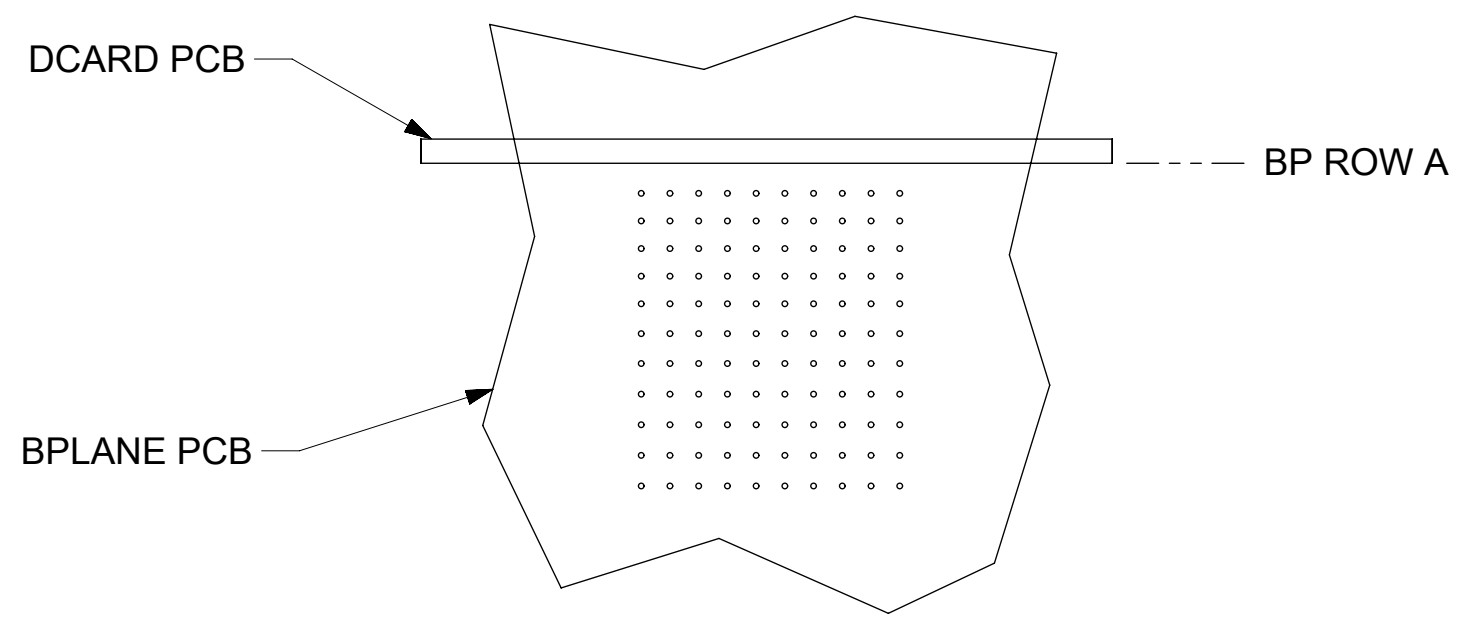
MODULE TYPE
5 = GUIDE RIGHT, MATTE TIN
9 = GUIDE RIGHT END WALL, METTA TIN

OF COLUMNS
1 = 10 COL
2 = 12 COL
3 = 6 COL
4 = 14 COL
6 = 16 COL
8 = 8 COL

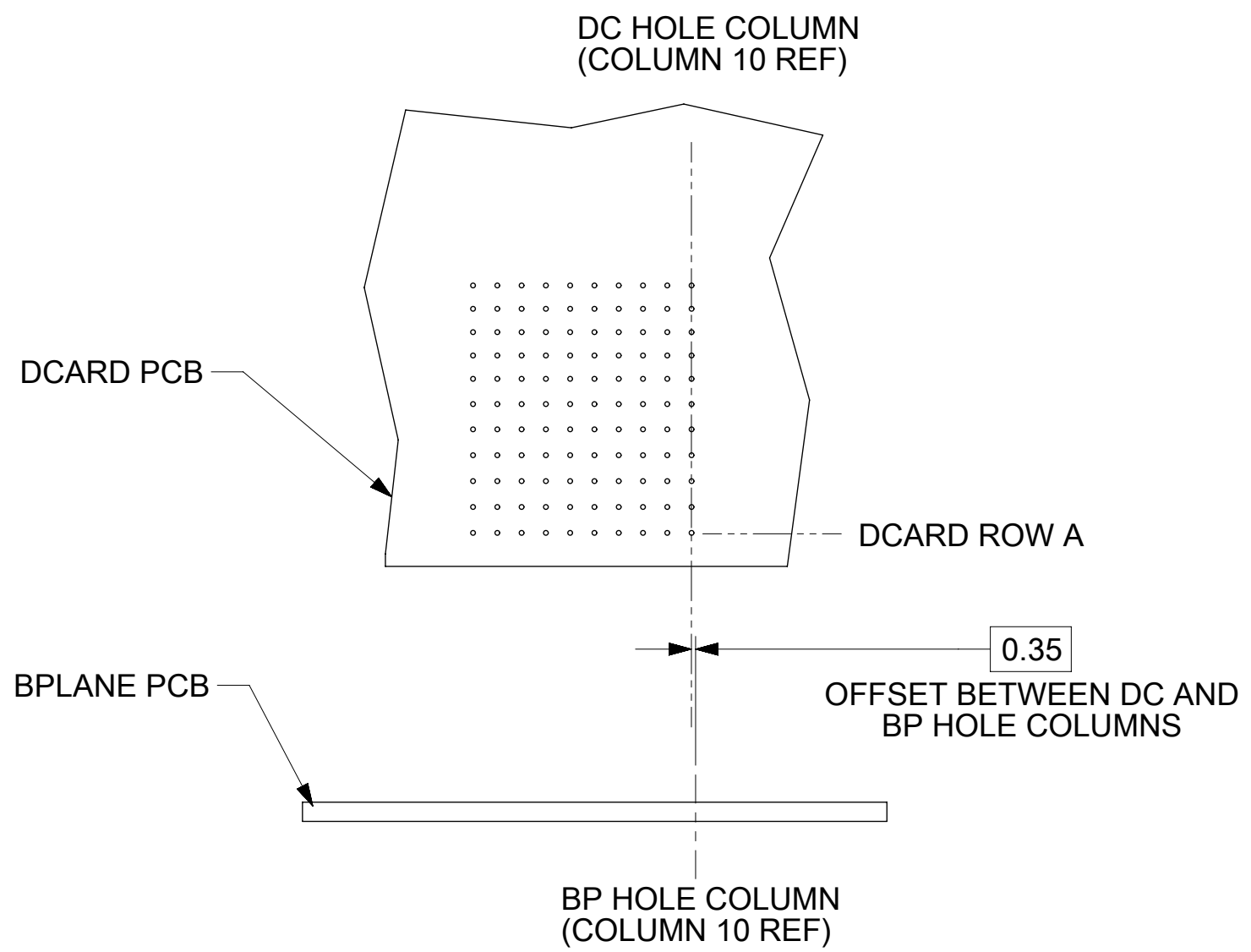
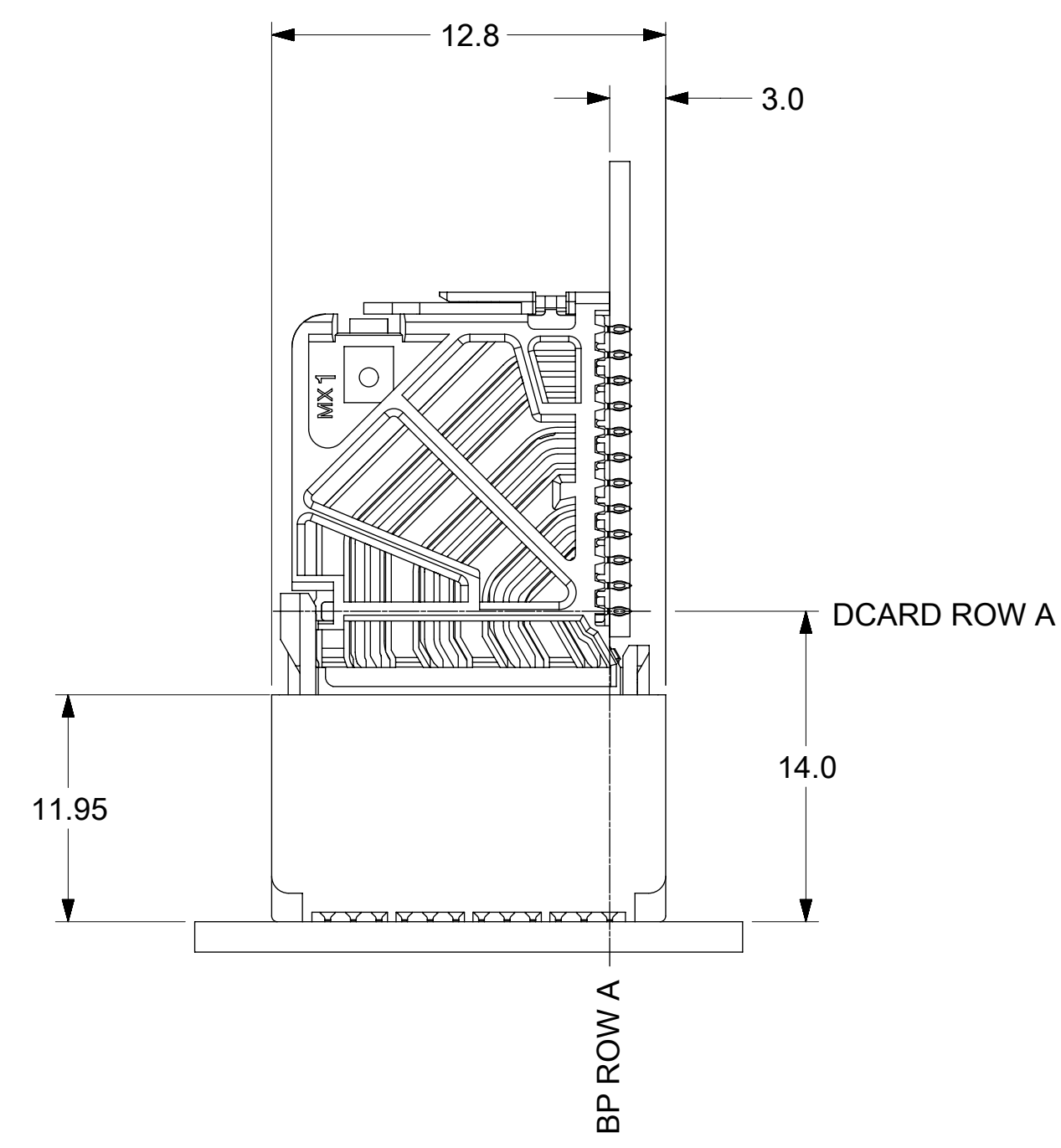
PIN LENGTH (P)
3 = 4.50 (SHORT COMPLIANT, 0.46±0.05 PTH)
4 = 4.90 (SHORT COMPLIANT, 0.46±0.05 PTH)
5 = 5.50 (SHORT COMPLIANT, 0.46±0.05 PTH)
6 = 4.50 (MICRO COMPLIANT, 0.39±0.05 PTH)
7 = 4.90 (MICRO COMPLIANT, 0.39±0.05 PTH)
8 = 5.50 (MICRO COMPLIANT, 0.39±0.05 PTH)

KEY ORIENTATION
0 = NO KEY
1 = A
2 = B
3 = C
4 = D
5 = E
6 = F
7 = G
8 = H

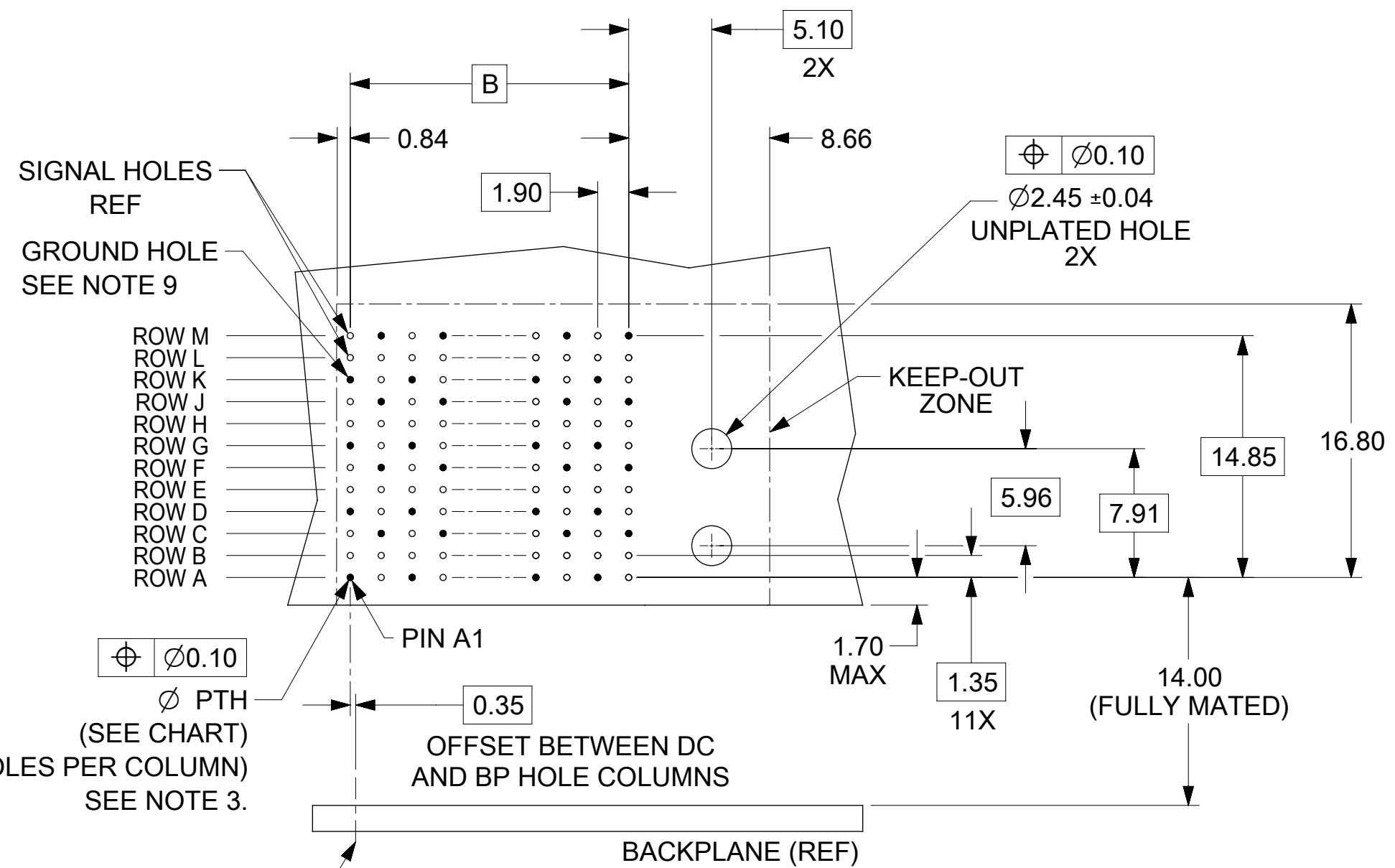
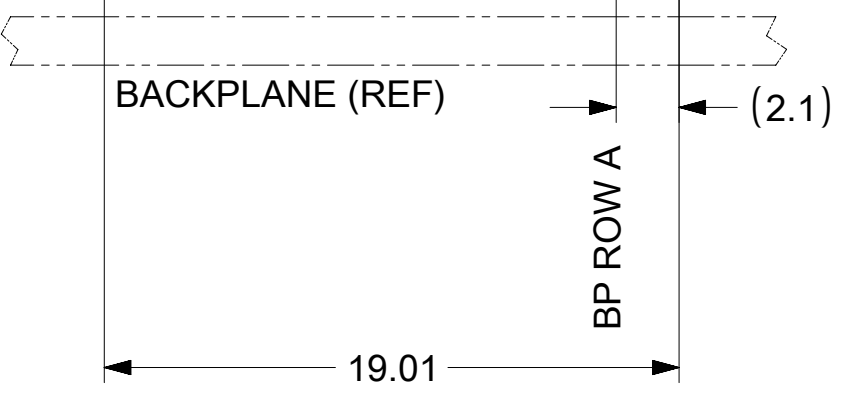
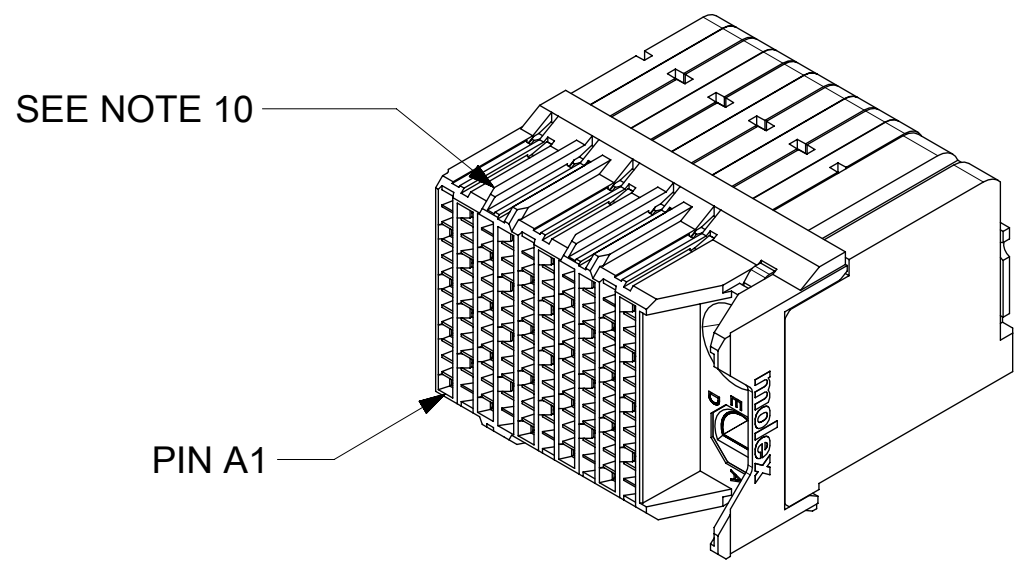
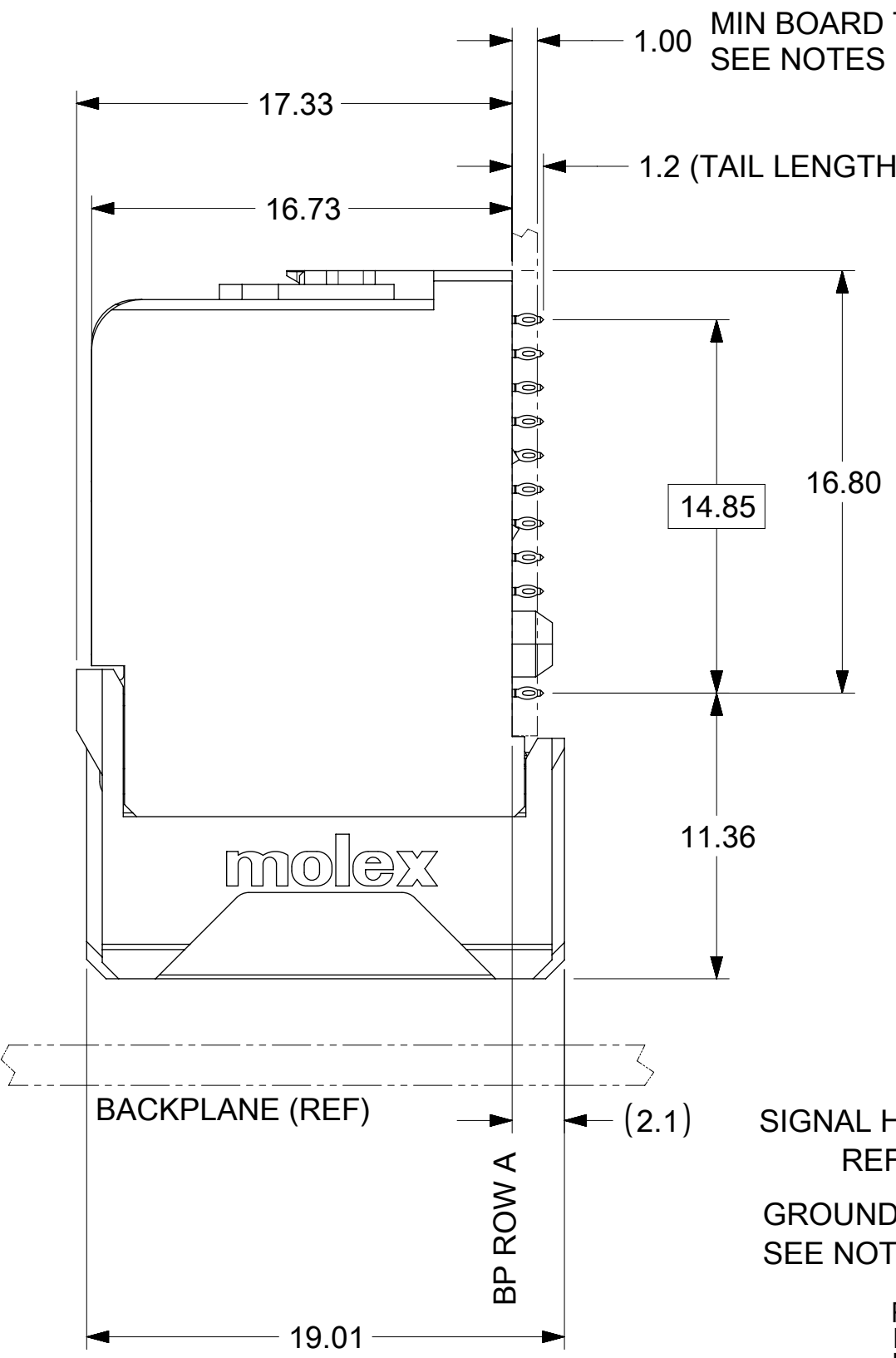
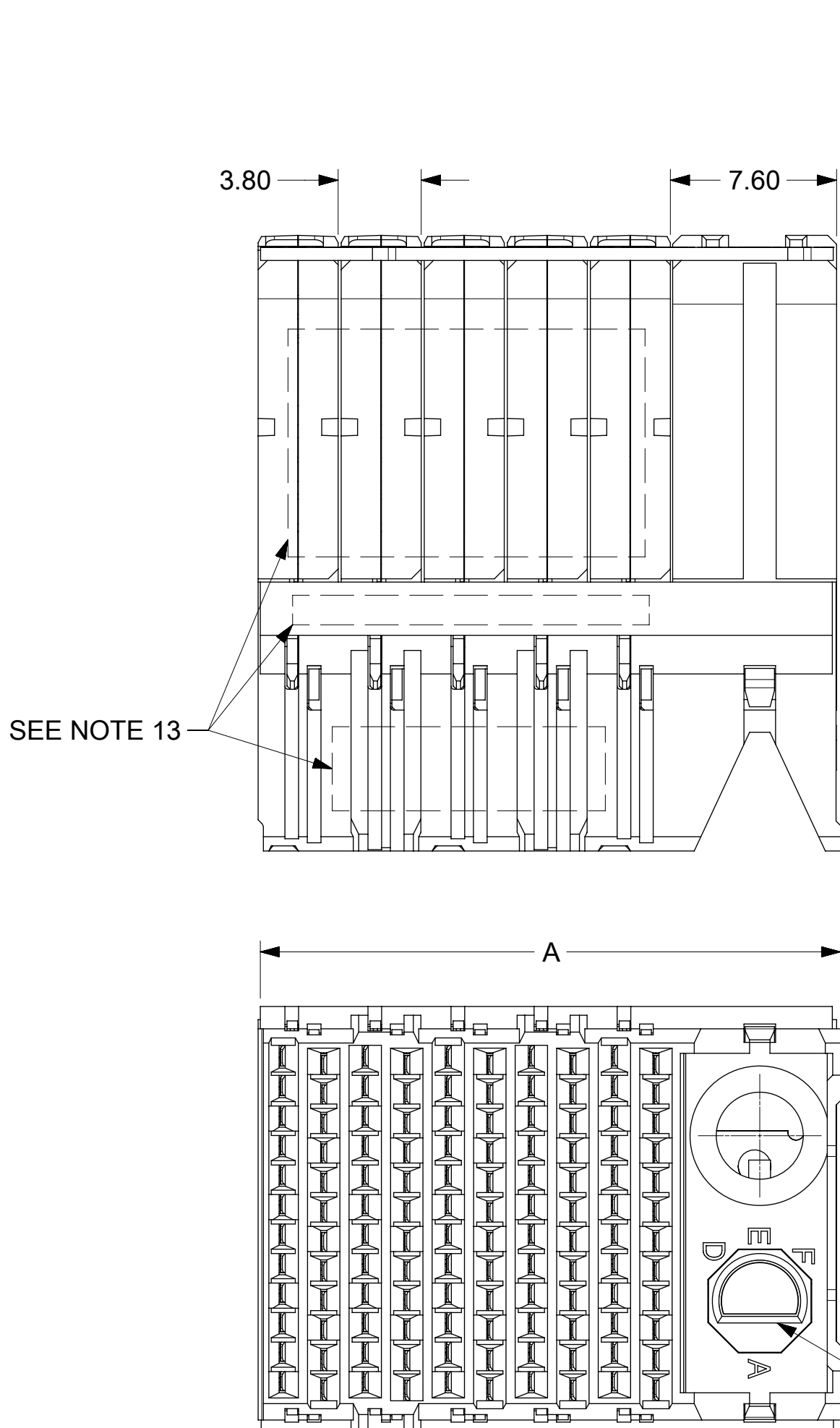
THIS DRAWING CONTAINS INFORMATION THAT IS PROPRIETARY TO MOLEX ELECTRONIC TECHNOLOGIES, LLC AND SHOULD NOT BE USED WITHOUT WRITTEN PERMISSION									
SYMBOLS		DIMENSION UNITS		SCALE		CURRENT REV DESC: MIGRATED TO NX			
▽ = 0		mm		4:1		molex			
▽ = 0		GENERAL TOLERANCES (UNLESS SPECIFIED)				IMPACT 4-PAIR 85-OHM RIGHT GUIDED BACKPLANE SALES ASSEMBLY DRAWING			
▽ = 0		ANGULAR TOL ± 0.5°				PRODUCT CUSTOMER DRAWING			
▽ = 0		4 PLACES ±		EC NO: 172491		DOCUMENT NUMBER			
▽ = 0		3 PLACES ±		DRWN: VK10 2018/02/19		DOC TYPE		DOC PART	
▽ = 0		2 PLACES ± 0.13		CHK'D: DVARVARA 2018/02/20		PSD		001	
▽ = 0		1 PLACE ± 0.25		APPR: TELO 2018/02/22		E1		REVISION	
☒ = 0		0 PLACES ±		INITIAL REVISION:		SD-170335-0003			
■ = 0		DRAFT WHERE APPLICABLE MUST REMAIN WITHIN DIMENSIONS		THIRD ANGLE PROJECTION		SERIES		SHEET NUMBER	
▽ = 0		DRAWING		C-SIZE		170335		2 OF 3	
MATERIAL NUMBER		CUSTOMER		SEE CHART		GENERAL MARKET			



IMPACT 4 PAIR BOARD RELATIONSHIPS



THIS DRAWING CONTAINS INFORMATION THAT IS PROPRIETARY TO MOLEX ELECTRONIC TECHNOLOGIES, LLC AND SHOULD NOT BE USED WITHOUT WRITTEN PERMISSION									
SYMBOLS		DIMENSION UNITS		SCALE		CURRENT REV DESC: MIGRATED TO NX			
▽ = 0	mm	2:1		molex IMPACT 4-PAIR 85-OHM RIGHT GUIDED BACKPLANE SALES ASSEMBLY DRAWING PRODUCT CUSTOMER DRAWING DOCUMENT NUMBER: SD-170335-0003 DOC TYPE: PSD DOC PART: 001 REVISION: E1 MATERIAL NUMBER: SEE CHART CUSTOMER: GENERAL MARKET SHEET NUMBER: 3 OF 3					
▽ = 0	GENERAL TOLERANCES (UNLESS SPECIFIED)								
▽ = 0	ANGULAR TOL ± 0.5°								
▽ = 0	4 PLACES ±								
▽ = 0	3 PLACES ±								
▽ = 0	2 PLACES ± 0.13			EC NO: 172491		2018/02/19			
▽ = 0	1 PLACE ± 0.25			DRWN: VK10		2018/02/20			
⊠ = 0	0 PLACES ±			CHK'D: DVARVARA		2018/02/22			
■ = 0	DRAFT WHERE APPLICABLE MUST REMAIN WITHIN DIMENSIONS			APPR: TELO		2018/02/22			
▽ = 0	THIRD ANGLE PROJECTION			INITIAL REVISION:		2012/11/13			
		DRAWING		DRWN: JBINGHAM		2012/11/16			
		SERIES		APPR: JLAURX					
		C-SIZE		170335					



- NOTES:**
1. MATERIALS: HOUSING - GRAY LIQUID CRYSTAL POLYMER (LCP), GLASS-FILLED, UL94V-0
TERMINALS - HIGH PERFORMANCE COPPER ALLOY
 2. FINISH: 30µIN MIN SELECTIVE GOLD IN CONTACT AREA, SELECTIVE TIN
ON PCB TAILS. NICKEL OVERALL.
 3. REFER TO MOLEX PRODUCT SPEC PS-170540-999 FOR PERFORMANCE SPECIFICATIONS
AND ADDITIONAL PCB INFORMATION.
 4. EACH SIGNAL WAFER CONTAINS 2 COLUMNS OF TERMINALS.
 5. PRODUCT IS PACKAGED PER PK-70873-610.
 6. THIS PART CONFORMS TO CLASS B REQUIREMENTS OF COSMETIC SPEC PS-45499-002.
 7. REFER TO MOLEX SALES DRAWING SD-170335-0003 FOR THE MATING HEADERS.
 8. REFER TO MOLEX PCB ROUTING GUIDE AS-76060-990 FOR THE ANTIPAD AND ROUTING
RECOMMENDATIONS.
 9. GROUND PATHS ARE NOT DISCRETE CIRCUITS WITHIN CONNECTOR DUE TO PRESENCE
OF PLUS CLIP.
 10. PART NUMBER 170340-5120 SHOWN ON DRAWING. KEYING FEATURES WILL CHANGE
WITH COLUMN SIZE.
 11. MINIMUM BOARD THICKNESS IS 1.00 mm FOR COMPLIANT PIN FUNCTIONALITY.
 12. WHEN USING MOLEX SUPPLIED #2-32 SCREW 73726-0000, THE MAXIMUM BOARD
THICKNESS IS 4.4 mm.
 13. MARKING: LOCATED APPROXIMATELY AS SHOWN. PART NUMBER AND DATE CODE.

**DAUGHTERCARD HOLE PATTERN
(CONNECTOR SIDE)**

THIS DRAWING CONTAINS INFORMATION THAT IS PROPRIETARY TO MOLEX ELECTRONIC TECHNOLOGIES, LLC AND SHOULD NOT BE USED WITHOUT WRITTEN PERMISSION									
DIMENSION UNITS		SCALE		CURRENT REV DESC: UPDATED PN SCHEME AS RIGHT ON SHEET 2					
mm		NTS		<p>IMPACT 4-PAIR 85-OHM DAUGHTERCARD SIGNAL GUIDE RIGHT SALES DWG</p> <p>PRODUCT CUSTOMER DRAWING</p> <p>DOCUMENT NUMBER: SD-170340-0004 DOC TYPE: PSD DOC PART: 001 REVISION: B6</p> <p>MATERIAL NUMBER: SEE CHART CUSTOMER: GENERAL MARKET SHEET NUMBER: 1 OF 2</p>					
GENERAL TOLERANCES (UNLESS SPECIFIED)									
ANGULAR TOL ± 0.5°									
4 PLACES ±									
3 PLACES ±									
2 PLACES ± 0.13				EC NO: 668643		2021/06/25		DRWN: CD	
1 PLACE ± 0.25				CHK'D: SHONG		2021/07/16		APPR: SHONG	
0 PLACES ±				INITIAL REVISION:		2010/05/12		DRWN: TELO	
DRAFT WHERE APPLICABLE MUST REMAIN WITHIN DIMENSIONS				THIRD ANGLE PROJECTION		DRAWING		SERIES	
				C-SIZE		170340			


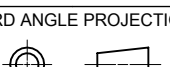
MATERIAL NUMBER	# OF COLUMNS	# OF DIFF PAIR	DIM "A" MAX	DIM "B"	PTH ϕ
170340-5*06	6	24	19.00	9.50	0.46 ± 0.05
170340-5*08	8	32	22.80	13.30	
170340-5*10	10	40	26.60	17.10	
170340-5*12	12	48	30.40	20.90	
170340-5*14	14	56	34.20	24.70	
170340-5*16	16	64	38.00	28.50	
170340-5*36	6	24	19.00	9.50	0.39 ± 0.05
170340-5*38	8	32	22.80	13.30	
170340-5*20	10	40	26.60	17.10	
170340-5*22	12	48	30.40	20.90	
170340-5*24	14	56	34.20	24.70	
170340-5*26	16	64	38.00	28.50	

170340-****

MODULE & TAIL PLATING TYPE
5 = RIGHT GUIDED LEAD-FREE

POLARIZATION KEY ORIENTATION
0 = NO KEY
1 = A 5 = E
2 = B 6 = F
3 = C 7 = G
4 = D 8 = H

OF COLUMNS
06 = 6 COL 0.46 PTH
08 = 8 COL 0.46 PTH
10 = 10 COL 0.46 PTH
12 = 12 COL 0.46 PTH
14 = 14 COL 0.46 PTH
16 = 16 COL 0.46 PTH
20 = 10 COL 0.39 PTH
22 = 12 COL 0.39 PTH
24 = 14 COL 0.39 PTH
26 = 16 COL 0.39 PTH
36 = 6 COL 0.39 PTH
38 = 8 COL 0.39 PTH

THIS DRAWING CONTAINS INFORMATION THAT IS PROPRIETARY TO MOLEX ELECTRONIC TECHNOLOGIES, LLC AND SHOULD NOT BE USED WITHOUT WRITTEN PERMISSION									
DIMENSION UNITS	SCALE	CURRENT REV DESC: UPDATED PN SCHEME AS RIGHT ON SHEET 2							
mm	NTS								
GENERAL TOLERANCES (UNLESS SPECIFIED)		EC NO: 668643			IMPACT 4-PAIR 85-OHM DAUGHTERCARD SIGNAL GUIDE RIGHT SALES DWG				
ANGULAR TOL	$\pm 0.5^\circ$	DRWN: CD 2021/06/25							
4 PLACES	\pm	CHK'D: SHONG 2021/07/16			PRODUCT CUSTOMER DRAWING				
3 PLACES	\pm	APPR: SHONG 2021/07/16							
2 PLACES	± 0.13	INITIAL REVISION:			DOCUMENT NUMBER DOC TYPE DOC PART REVISION SD-170340-0004 PSD 001 B6				
1 PLACE	± 0.25	DRWN: TELO 2010/05/12							
0 PLACES	\pm	APPR: TELO 2011/01/25			MATERIAL NUMBER CUSTOMER SHEET NUMBER SEE CHART GENERAL MARKET 2 OF 2				
DRAFT WHERE APPLICABLE MUST REMAIN WITHIN DIMENSIONS		THIRD ANGLE PROJECTION	DRAWING	SERIES					
			C-SIZE	170340					

DOCUMENT STATUS	P1	RELEASE DATE	2021/07/16	03:06:11
-----------------	----	--------------	------------	----------