

Ratings

Voltage: 300 V
 Temperature: -25 to 80 °C
 Flammability: VW-1

Conductor

Conductor count: 2
 Gauge: 24 AWG 0.22 mm²
 Material: tinned copper strands
 Strand size: Ø 0.16 mm x 11

Insulator

Material: PVC
 Color: black, red
 Diameter: Ø 1.2 ± 0.10 mm
 Nominal thickness: 0.38 mm

Drain

Stranding: Ø 0.16 mm x 11, 24 AWG

Shield

Type: foil + braided
 Material: aluminum mylar, tinned copper strands
 Stranding: Ø 0.127 mm
 Coverage: 80% minimum

Outer jacket

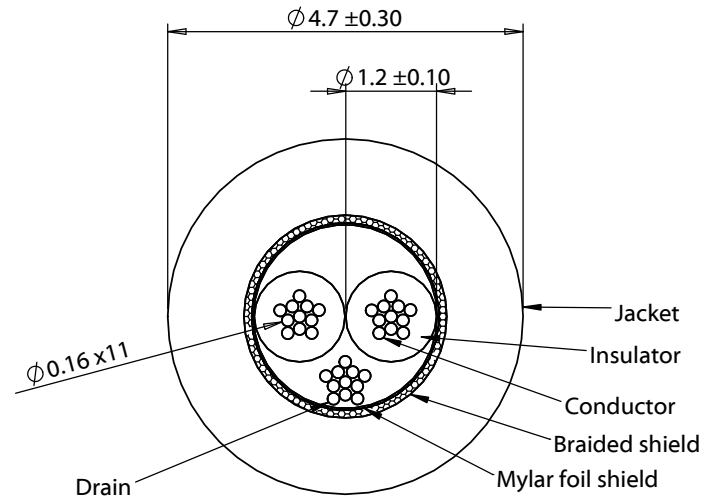
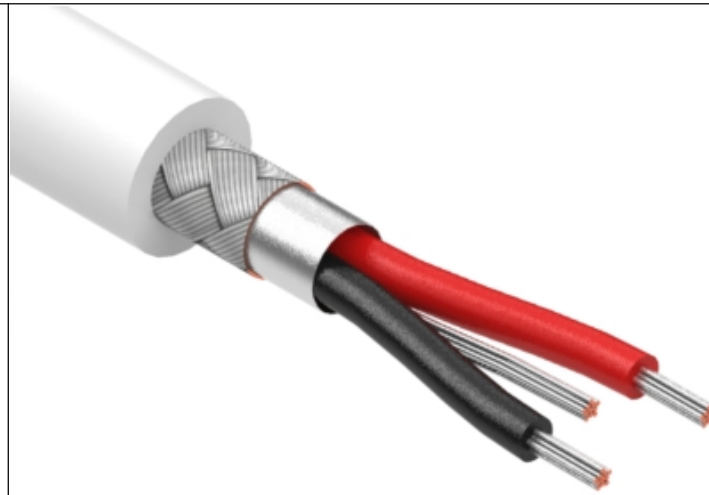
Material: PVC, 80A
 Color: white
 Diameter: Ø 4.7 ± 0.30 mm
 Nominal thickness: 0.8 mm

Wire marking: E339579 UL AWM STYLE 2464 24 AWG 80°C
 300V VW-1 --- cUL AWM I/II A 80°C 300V FT1 TENSILITY

Tests

Voltage test: 300 V
 Spark test: 3.0 kV
 Max resistance at 20 °C: 94.2 ohm/km
 Insulation tensile strength: 2.11 kgf/mm²
 Jacket tensile strength: 1.05 kgf/mm²
 After aging at 113 ± 2 °C for 7 days:
 Minimum tensile strength 70 % original
 Minimum elongation 65 % original
 Heat shock: 121 ± 1 °C / 1 hour, no observed degradation
 Deformation: 121 ± 1 °C / 1 hour, ≤ 50 %
 Cold bend: -10 ± 2 °C / 1 hour, no observed cracking
 Dielectric test: 2000 Vac for 1 minute without breakdown


Use: Internal wiring or external interconnection of electronic equipment.



Revision:	Date:	Description:
A	04/06/2018	Initial release

Prepared: RS <small>Digitally signed by RS Date: 2018.04.11 11:23:23 -07'00'</small>
Verified: AW <small>Digitally signed by AW Date: 2018.04.12 09:22:10 -07'00'</small>
Dimensions are in millimeters. Tolerances: X: ± 0.5 mm X.X: ± 0.3 mm X.XX: ± 0.05 mm

Notes: RoHS and REACH compliant
Function test: no open, no short circuit, no intermittent
Description: Wire, 2C TS, 24 AWG, UL2464, 300V, 80C, 4.7 mm, shielded, VW-1, PVC, white

TENSILITY	
<small>tel 1.541.323.3228 800 877.670.7118 fax 1.541.323.4202 web tensility.com</small>	
Size: A	Part number: 30-01008
Scale: 10:1	
Sheet 1 of 1	

5

4

3

2

1