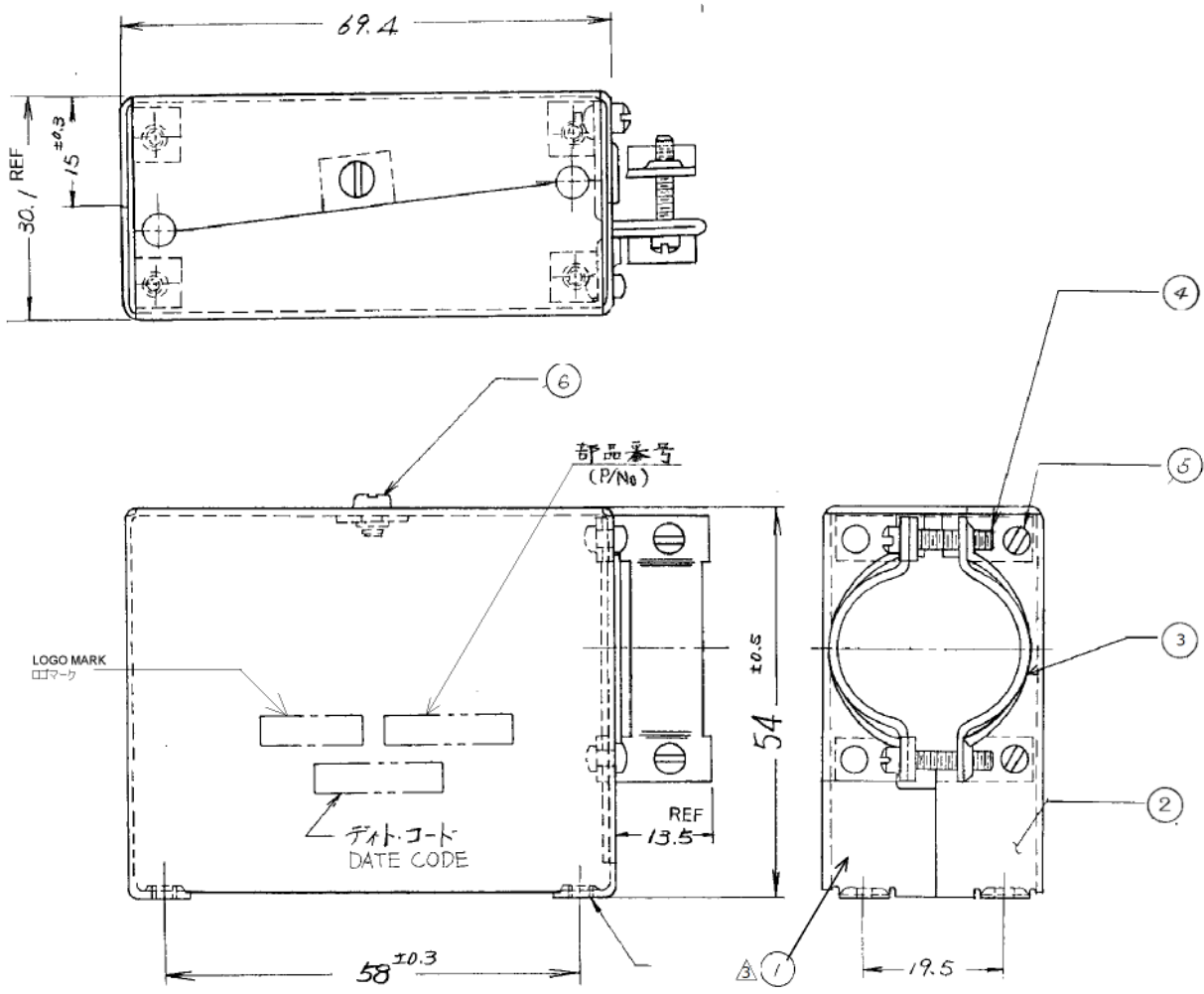


THIS DRAWING IS UNPUBLISHED
 RELEASED FOR PUBLICATION
 (C) COPYRIGHT 2012 BY Tyco Electronics Japan G.K.

REVISIONS					
P	LTR	DESCRIPTION	ECN	DATE	DWN APVD
D		REDRAWN	FJ00-0518-97	9Apr'97	C.O I.H
E		REVISED		09SEP 2013	T.N N.Y
F		REVISED PER ECO-20-007658	-	12JUN 2020	KR MZ



類似 No. 202711-1
 SIMILAR SHIELD No. 202711-1

△ ウィスカ対策・RoSH対応品
 WHISKER COUNTERMEASURE & RoSH COMPLIANCE

NOTE

- 電線束線径：最大φ 26, 最小φ 17
 WIRE BUNDLE THICKNESS: MAX φ 26, MIN φ 17
- 1, 7-1: 絶縁スリーブなし
 -1, 7-1: WITHOUT INSULATED SLEEVE
 -2: 絶縁スリーブ (P/N21330-4) 2ヶ添付
 -2: INSULATED SLEEVE (P/N21330-4) WITH 2 PEACE
- リベット (スチール ニッケルめっき) で、固定側ケーブルクランプを組込んだもの。
 ASSEMBLED CABLE CLAMP FIXED SIDE BY RIVET (SCALE, NICKEL PLATING)

OBSOLETE

QTY	UNIT	DESCRIPTION	FINISH	ITEM NO.	
2	2	2	STAINLESS STEEL, ORGANIC COATING	SCREW # 4-40 UNC-2 A LENGTH 3.2 REF	⑥
2	2	2	STAINLESS STEEL, ORGANIC COATING	SCREW # 4-40 UNC-2 A LENGTH 6.4 REF	⑤
2	2	2	STAINLESS STEEL, ORGANIC COATING	SCREW # 4-40 UNC-2 A LENGTH 19.1 REF	④
1	1	1	ZINC-COATED STEEL, PAINTED TO METALIC SILVER	CABLE-CLAMP	③
1	1	1	ZINC-COATED STEEL, PAINTED TO METALIC SILVER	CABLE-CLAMP	③
1	1	1	ZINC-COATED STEEL, PAINTED TO METALIC SILVER	SHIELD (R.H)	②
1	1	1	ZINC-COATED STEEL, PAINTED TO METALIC SILVER	SHIELD (R.H)	②
1	1	1	ZINC-COATED STEEL, PAINTED TO METALIC SILVER	SHIELD (L.H)	①
1	1	1	ZINC-COATED STEEL, PAINTED TO METALIC SILVER	SHIELD (L.H)	①

THIS DRAWING IS A CONTROLLED DOCUMENT FOR AND INCORPORATED IT IS SUBJECT TO CHANGE AND THE CONTROLLING ENGINEERING ORGANIZATION SHOULD BE CONTACTED FOR THE LATEST REVISION.		DATE: 3/APR/97 CHK: C. OHASHI APVD: [Signature] 9/APR/97	
DIMENSIONS: 単位: 寸 mm	TOLERANCES UNLESS OTHERWISE SPECIFIED 一般公差 ±0.4 ±1°	MATERIAL AND FINISH NAME	
MATERIAL 上図参照 SEE DWG	FINISH 上図参照 SEE DWG	75極 90° シールド 75POS 90° SHIELD	
CUSTOMER DRAWING		SIZE: A3 CAGE CODE: 00779 DRAWING NO: C-171076	RESTRICTED TO: -
		SCALE: 実尺 NON	SHEET: 1 OF 1 REV: F