

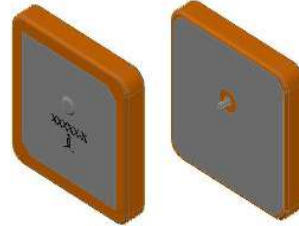
Product Specification



Patch Antenna JTT1575S25P4A

Feature

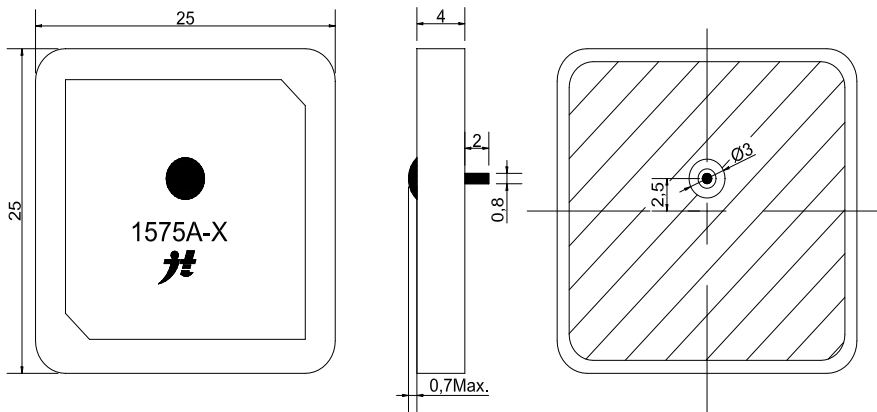
- High gain , Compact
- Pin type
- Customization available



Electrical Specification

Center Frequency	1575.42 ± 3.0 MHz
Return Loss @ F0	25 dB typ.
Bandwidth @ 10dB Return loss	≥8 MHz
Polarization	RHCP
Gain @ Zenith	2.0 dBi typ.
Ground plane	27 x 27 mm
Impedance	50 Ω
Frequency Temperature Coefficient	±20 ppm/°C
Operation Temperature Range	-40 ~ +85°C

Mechanical Drawing



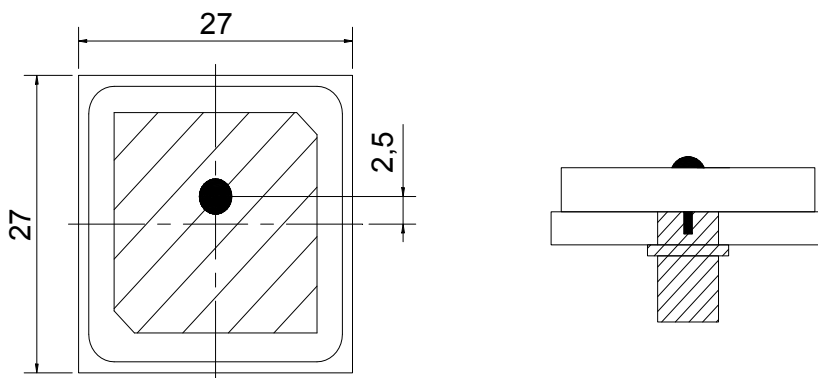
Tolerance Unless Otherwise Specified: ±0.30
Unit: mm

Product Specification

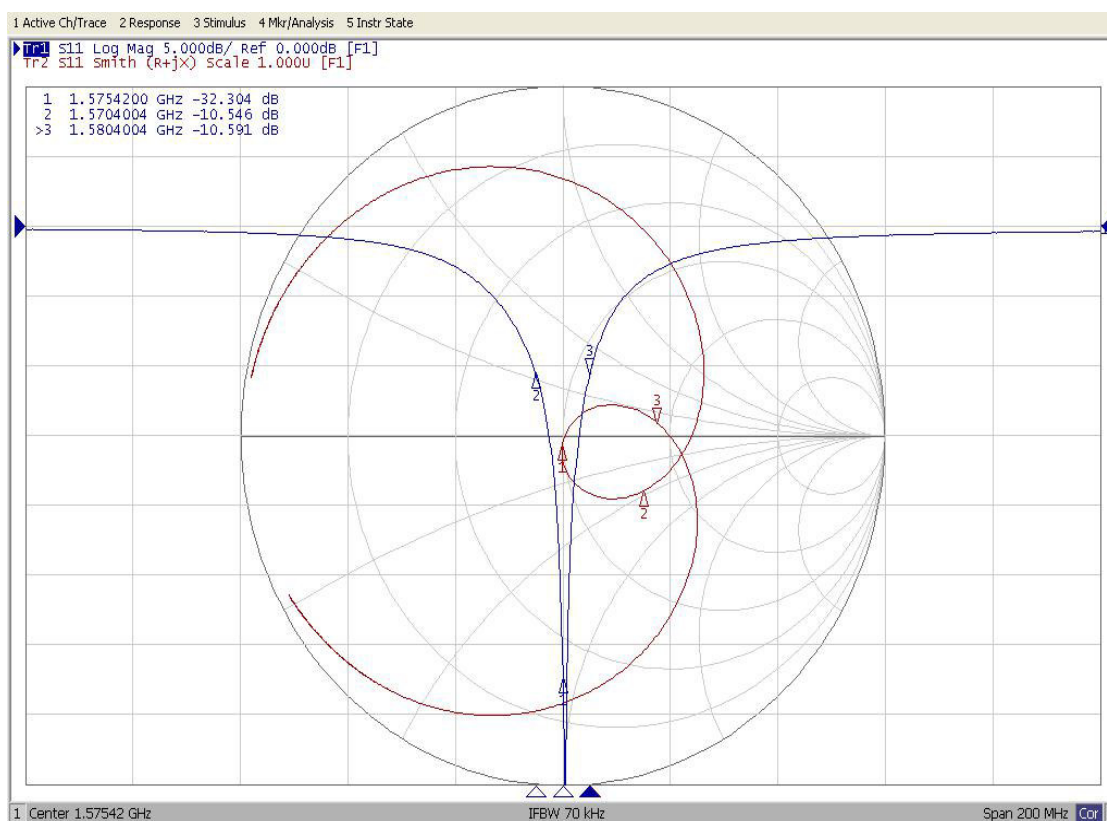


Patch Antenna JTT1575S25P4A

Test Fixture



Characteristics

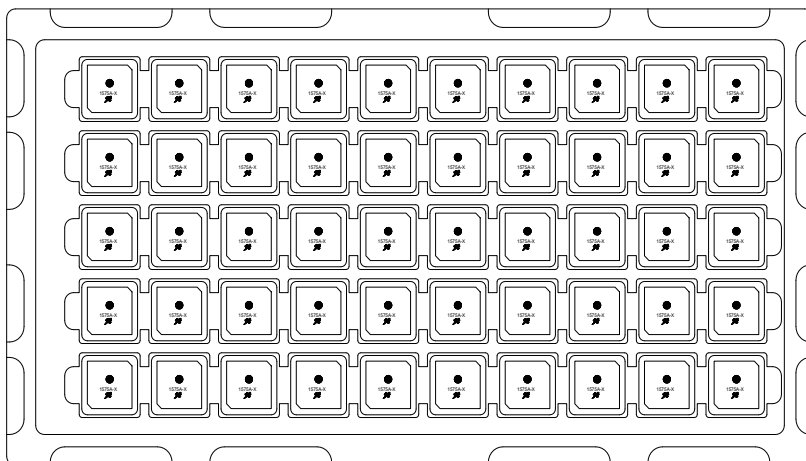


Product Specification

Patch Antenna
JTT1575S25P4A



Packing



Tray 50pcs

