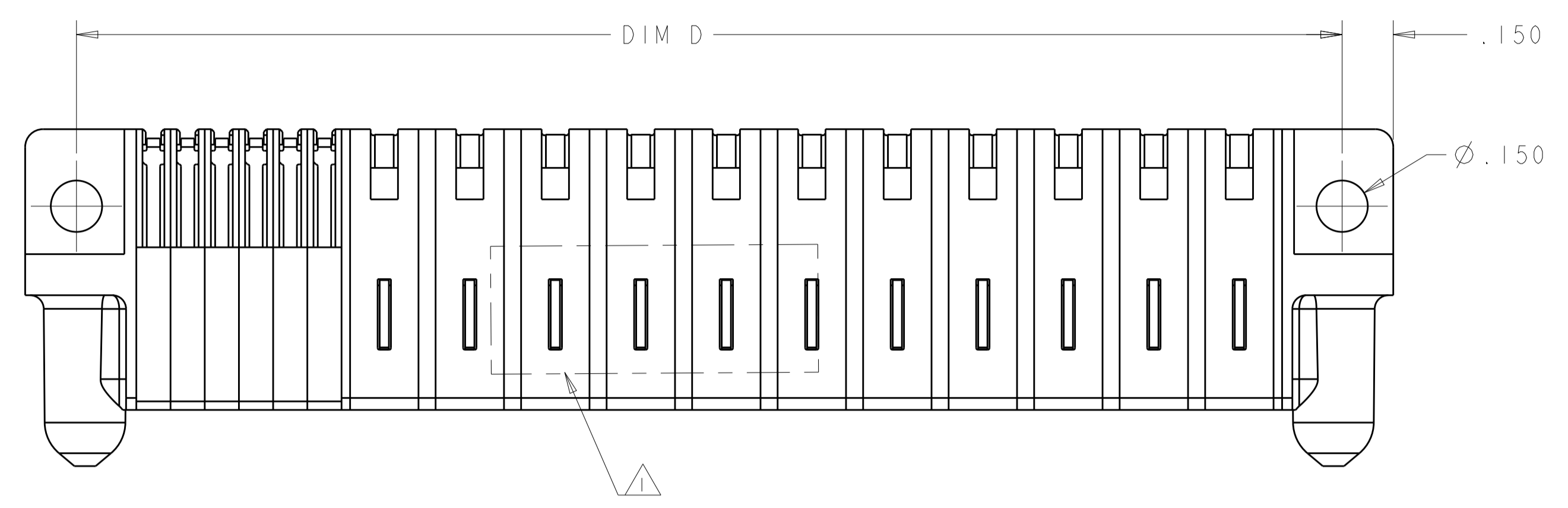
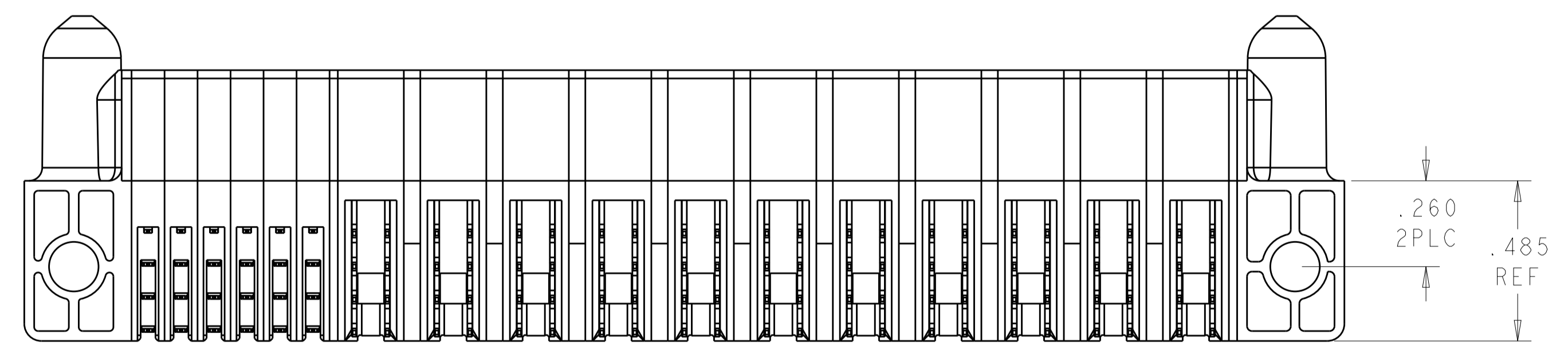
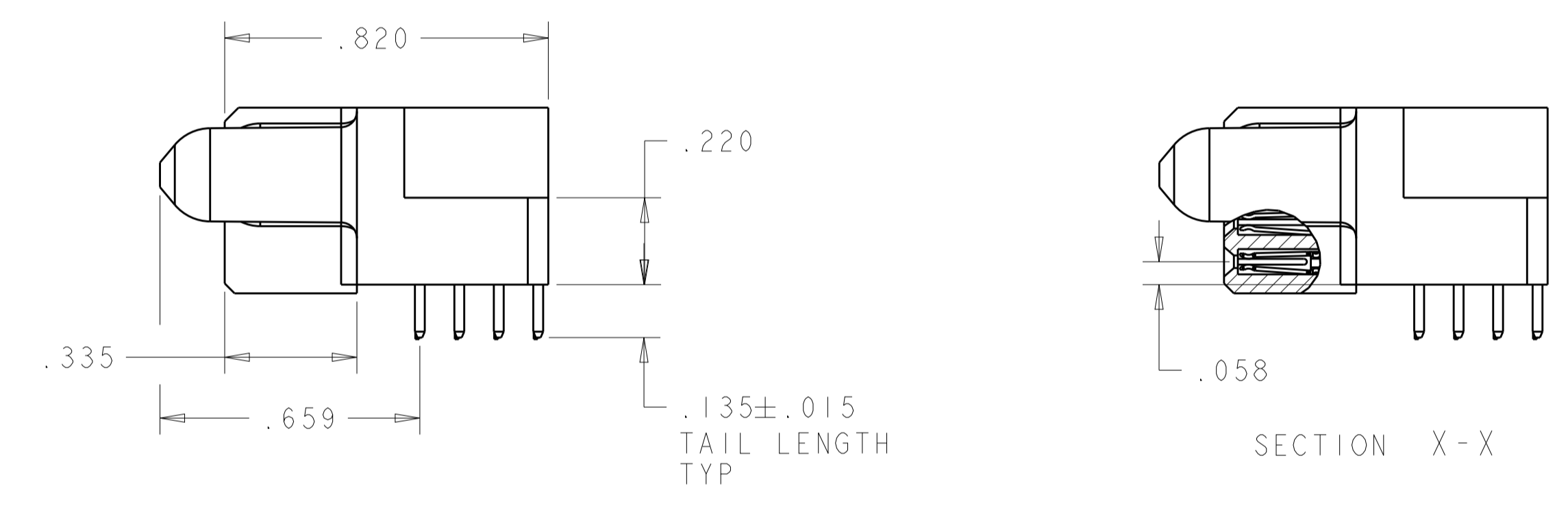
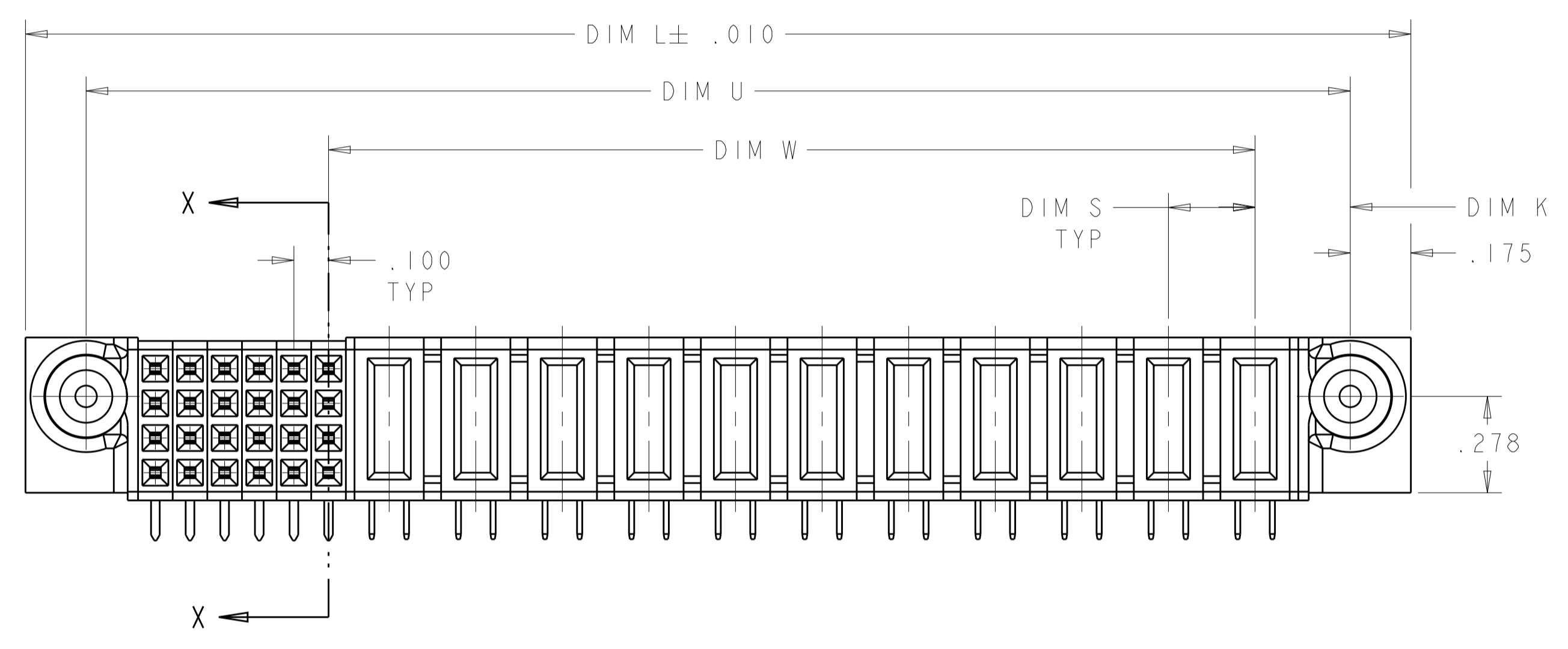


LOC	DIST	REVISIONS			
ES	00	REV	DATE	BY	APPV
		C	REV PER ECR-09-022806	19OCT2009	OL SY
		C1	REV PER ECR-10-015349	07JUL2010	AL WMQ
		C2	ADDED THE DASH NO -4	24MAY2011	ML SZ
		C3	ADVISED	16MAR2013	ML SZ



- 1 "AMP", TRADEMARK, PART NUMBER AND DATE CODE TO BE MARKED IN AREA SHOWN PARTS UNDER 2.00 LONG MAY BE MARKED ON BOTH SIDES.
- 2 MATERIAL: HOUSING - GLASS FILLED HIGH TEMP THERMO PLASTIC, UL94 V-0
SIGNAL CONTACT - COPPER ALLOY
POWER CONTACT - COPPER ALLOY
- 3 CONTACT PLATING: NOBLE METAL PLATING ON CONTACT FUNCTIONAL AREA OF POWER AND SIGNAL CONTACTS
- 4 MECHANICAL CONNECTOR KEEP OUT ZONE.
- 5 DATUM AND BASIC DIMENSIONS ESTABLISHED BY CUSTOMER.
- 6 PCB - ALL HOLE DIAMETERS ARE FINISHED HOLE SIZES.
- 7 PCB - .0453 ± .0010 DRILLED HOLES PLATED WITH .0003 MIN Sn OVER .001 TO .003 CU PLATING TO ACHIEVE A .040 ± .003 DIA HOLE.
- 8 VARIABLE DIMENSIONS PLEASE REFER TO TABLE.



1.900	.250	.675	1.950	2.250	.275	4P + 24S	6450362-8
3.400	.250	2.425	3.450	3.750	.275	10P + 24S	6450362-7
2.700	.250	1.825	2.750	3.050	.275	4ACP+3P+20S	6450362-6
2.900	.250	1.925	2.950	3.250	.275	8P + 24S	6450362-4
3.650	.250	2.675	3.700	4.000	.275	11P + 24S	6450362-3
DIM U	DIM S	DIM W	DIM D	DIM L	DIM K	DESCRIPTION	PART NUMBER

THIS DRAWING IS A CONTROLLED DOCUMENT.

DIMENSIONS: INCHES

TOLERANCES UNLESS OTHERWISE SPECIFIED:

0 PLC	±
1 PLC	±.01
2 PLC	±.005
3 PLC	±.0020
4 PLC	±.0020
ANGLES	±.0020

MATERIAL:

FINISH:

THIS DRAWING IS A CONTROLLED DOCUMENT. DWG: S.ZHAO 02MAR2007. CHK: S.ZHAO 02MAR2007. APVD: S.ZHAO

NAME: RIGHT ANGLE RECEPTACLE ASSEMBLY WITH GUIDE MODULES MULTI-BEAM XL

PRODUCT SPEC: 108-1973

APPLICATION SPEC: 114-13038

SIZE: A1

CAGE CODE: 6450362

DRAWING NO: 100779

SCALE: 1:1

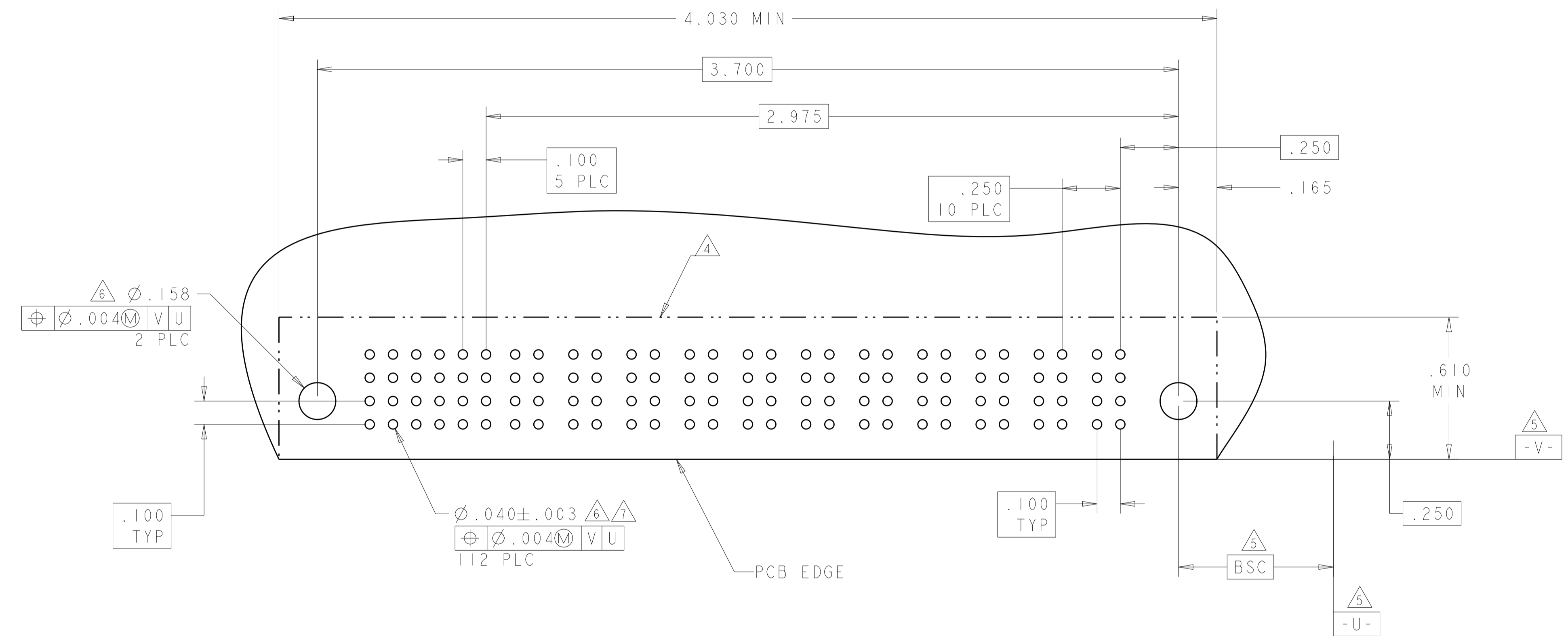
SHEET: 3 OF 5

REV: C3

CUSTOMER DRAWING

LOC	DIST	REVISIONS			
P	LTN	DESCRIPTION	DATE	DWN	APVD
-	-	SEE SHEET 1	-	-	-

PART NUMBER	ROWS	SIGNAL					POWER											
		6	5	4	3	2	1	P11	P10	P9	P8	P7	P6	P5	P4	P3	P2	P1
6450362-3	D	H	H	H	H	H	H	RM	RM	RM	RM	RM	RM	RA	RM	RM	RM	RM
	C	G	G	G	G	G	G	RM	RM	RM	RM	RM	RM	RA	RM	RM	RM	RM
	B	F	F	F	F	F	F	RM	RM	RM	RM	RM	RM	RA	RM	RM	RM	RM
	A	E	E	E	E	E	E	RM	RM	RM	RM	RM	RM	RA	RM	RM	RM	RM
IIP + 24S																		



CODE	DESCRIPTION	ROW
RA	.135 TAIL LENGTH POWER, MFBL	-
RM	.135 TAIL LENGTH POWER, STD	-
H	.135 TAIL LENGTH SIGNAL	D
G	.135 TAIL LENGTH SIGNAL	C
F	.135 TAIL LENGTH SIGNAL	B
E	.135 TAIL LENGTH SIGNAL	A
CONTACT TABLE		

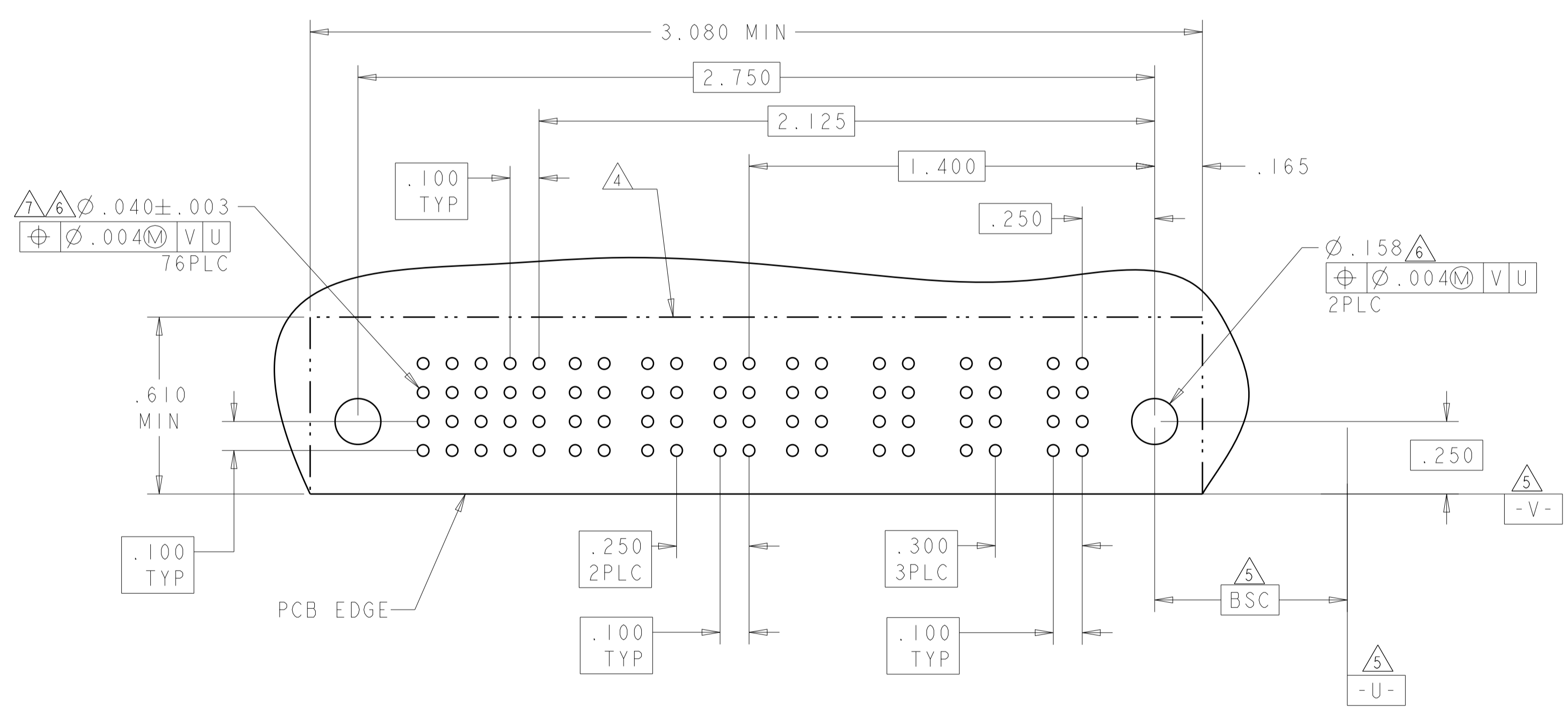
THIS DRAWING IS A CONTROLLED DOCUMENT.		DWN S. ZHAO 02MAR2007	 TE Connectivity
DIMENSIONS: INCHES		CHK S. ZHAO 02MAR2007	
TOLERANCES UNLESS OTHERWISE SPECIFIED:		APVD S. ZHAO	NAME RIGHT ANGLE RECEPTACLE ASSEMBLY WITH GUIDE MODULES MULTI-BEAM XL
0 PLC ±.01		PRODUCT SPEC	SIZE A100779
1 PLC ±.01		APPLICATION SPEC	CAGE CODE C=6450362
2 PLC ±.005		RESTRICTED TO	SCALE 1:1
3 PLC ±.0020		REVISIONS	SHEET 2 OF 5
4 PLC ±.0020		DATE	REV C3
ANGLES ±.0020		WEIGHT	CUSTOMER DRAWING
FINISH		SCALE	1:1

LOC	DIST	REVISIONS			
P	LTN	DESCRIPTION	DATE	DMN	APVD
ES	00	SEE SHEET 1			

PART NUMBER	ROWS	SIGNAL					POWER						
		5	4	3	2	1	P7	P6	P5	P4	P3	P2	P1
6450362-6	D	H	H	H	H	H	RM	RM	RM	RM	RM	RM	RM
	C	G	G	G	G	G							
	B	F	F	F	F	F							
	A	E	E	E	E	E							

4ACP+3P+20S

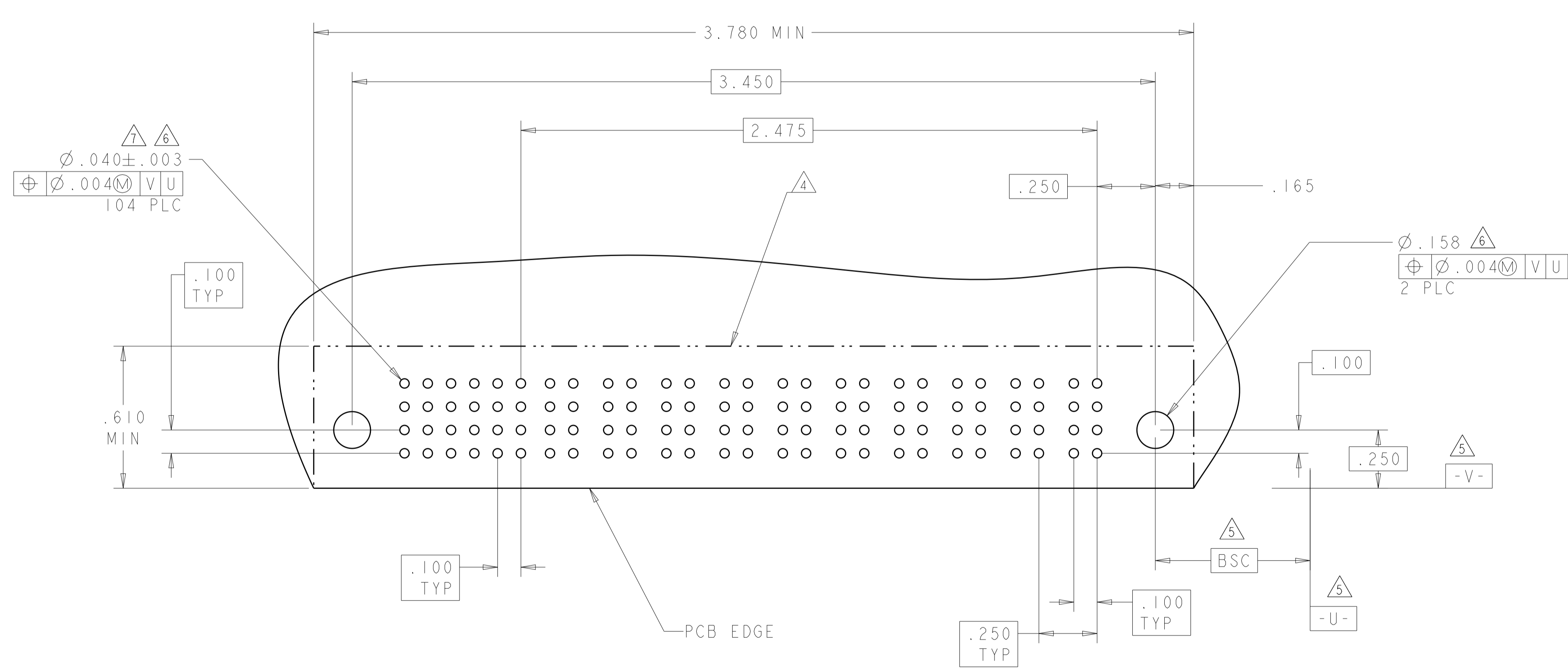
.250 3PLC .300 3PLC



THIS DRAWING IS A CONTROLLED DOCUMENT.		DMN S. ZHAO 02MAR2007	 TE Connectivity
DIMENSIONS: INCHES		CHK S. ZHAO 02MAR2007	
TOLERANCES UNLESS OTHERWISE SPECIFIED: 0 PLC ±. 1 PLC ±.01 2 PLC ±.01 3 PLC ±.005 4 PLC ±.0020 ANGLES ±.2°		APVD S. ZHAO	NAME
MATERIAL		PRODUCT SPEC	RIGHT ANGLE RECEPTACLE ASSEMBLY WITH GUIDE MODULES MULTI-BEAM XL
FINISH		APPLICATION SPEC	RESTRICTED TO
		114-13038	SIZE CAGE CODE DRAWING NO
		WEIGHT	A100779C=6450362
		CUSTOMER DRAWING	SCALE 1:1 SHEET 3 OF 5 REV C3

LOC	DIST	REVISIONS			
P	LTN	DESCRIPTION	DATE	DMN	APVD
-	-	SEE SHEET 1	-	-	-

PART NUMBER	ROWS	SIGNAL						POWER									
		6	5	4	3	2	1	P10	P9	P8	P7	P6	P5	P4	P3	P2	P1
6450362-7	D C B A	H	H	H	H	H	H	RM	RM	RM	RM	RM	RM	RM	RM	RM	RM
		G	G	G	G	G	G										
		F	F	F	F	F	F										
		E	E	E	E	E	E										
10P + 24S																	

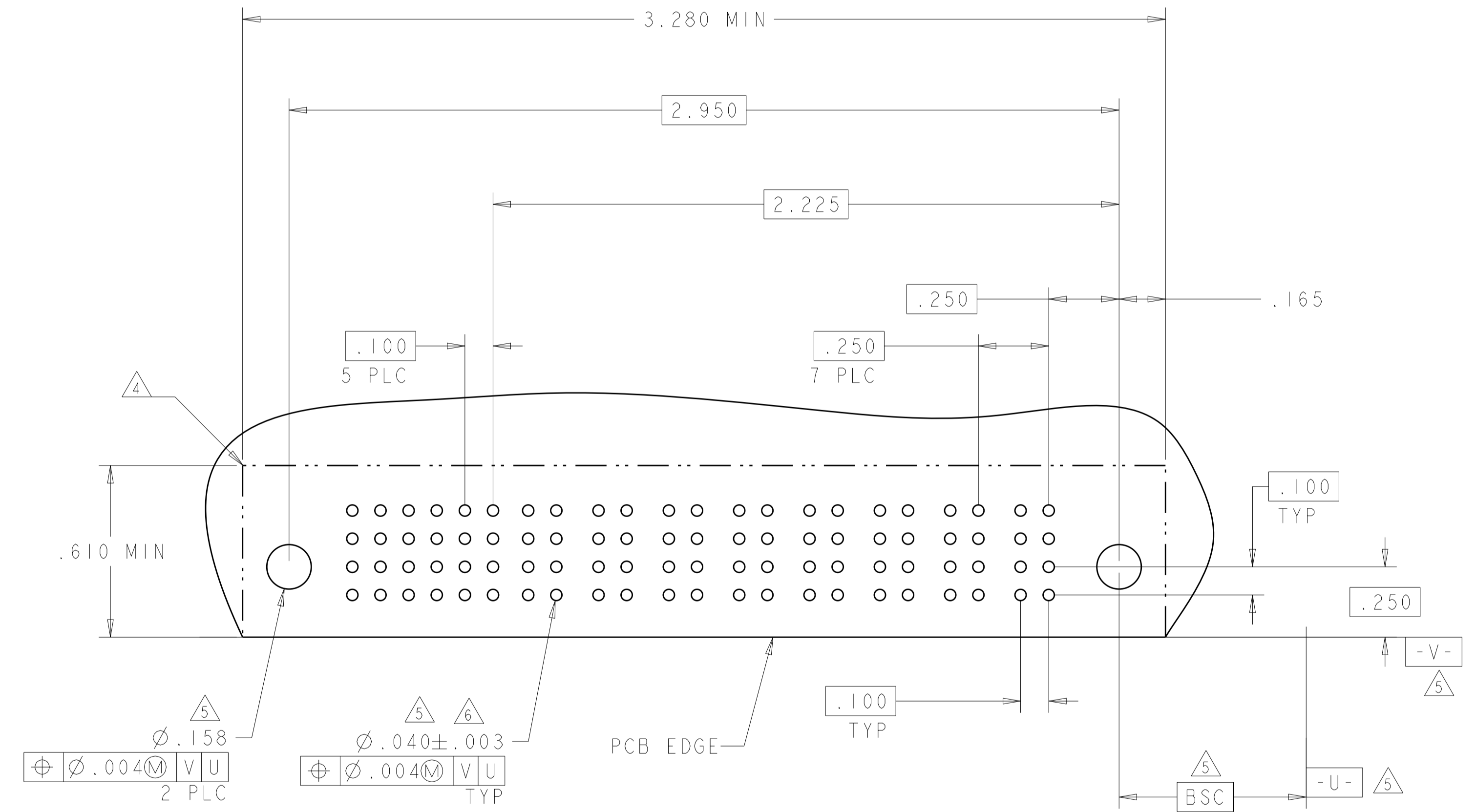
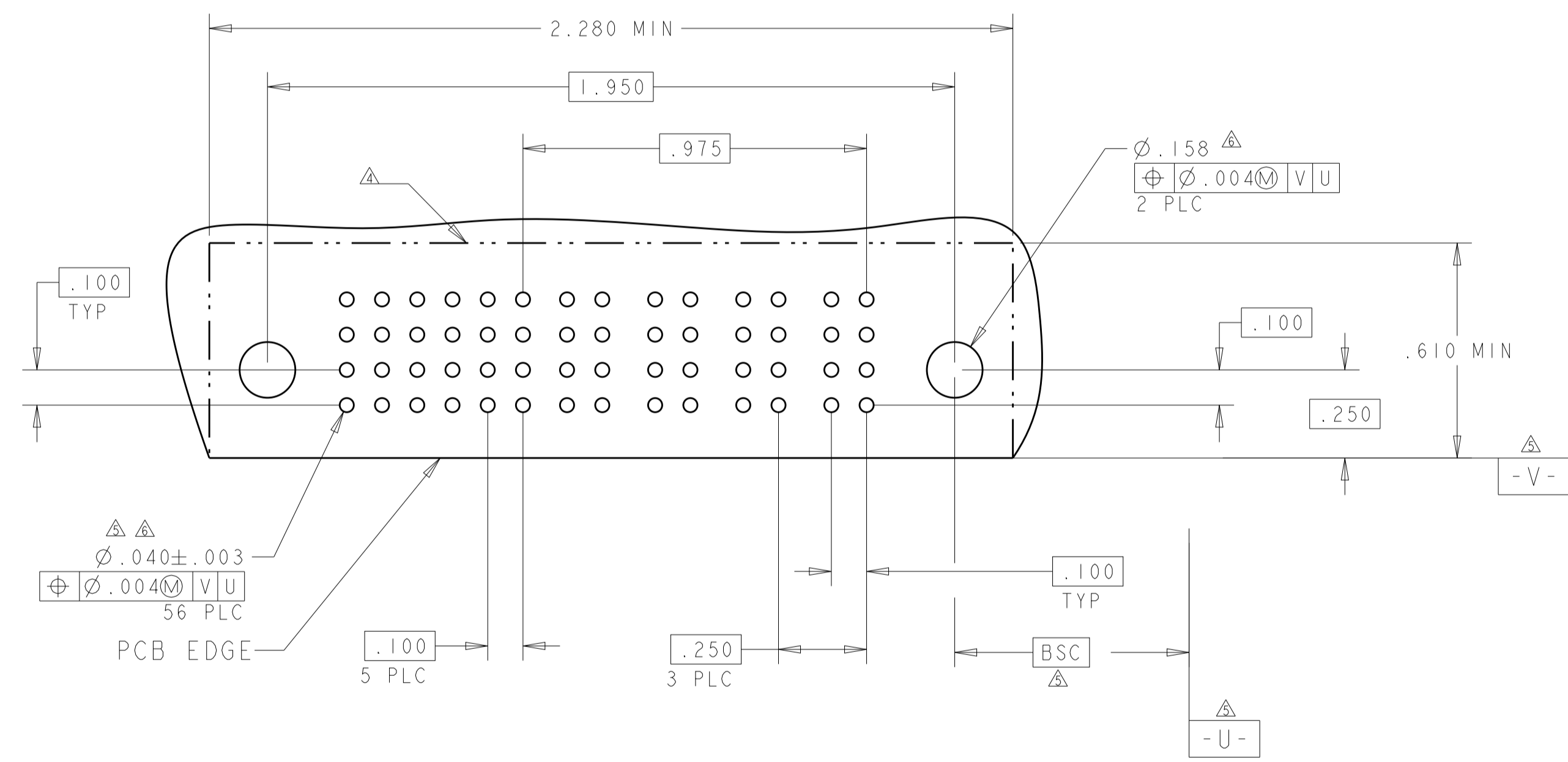


THIS DRAWING IS A CONTROLLED DOCUMENT.		DMN S. ZHAO 02MAR2007	TE Connectivity
DIMENSIONS: INCHES		CHK S. ZHAO 02MAR2007	
TOLERANCES UNLESS OTHERWISE SPECIFIED: 0 PLC ±. 1 PLC ±.01 2 PLC ±.01 3 PLC ±.005 4 PLC ±.0020 ANGLES ±.2° FINISH -		APVD S. ZHAO -	NAME
MATERIAL -		PRODUCT SPEC 108-1973	RIGHT ANGLE RECEPTACLE ASSEMBLY WITH GUIDE MODULES MULTI-BEAM XL
SCALE 1:1		APPLICATION SPEC 114-13038	RESTRICTED TO
SHEET 4 OF 5		WEIGHT -	SIZE CAGE CODE DRAWING NO. A100779C=6450362
REV C3		CUSTOMER DRAWING	REV

LOC	DIST	REV	DATE	BY	APPV
ES	00				
		REVISIONS			
		DESCRIPTION	DATE	BY	APPV
		SEE SHEET 1			

PART NUMBER	ROWS	SIGNAL						POWER			
		6	5	4	3	2	1	P4	P3	P2	P1
6450362-8	D C B A	H	H	H	H	H	H	RM	RM	RM	RM
		G	G	G	G	G	G				
		F	F	F	F	F	F				
		E	E	E	E	E	E				
4P + 24S											

PART NUMBER	ROWS	SIGNAL						POWER							
		6	5	4	3	2	1	P8	P7	P6	P5	P4	P3	P2	P1
6450362-4	D C B A	H	H	H	H	H	H	RM	RM	RM	RM	RM	RM	RM	RM
		G	G	G	G	G	G								
		F	F	F	F	F	F								
		E	E	E	E	E	E								
8P + 24S															



THIS DRAWING IS A CONTROLLED DOCUMENT.

DIMENSIONS:	TOLERANCES UNLESS OTHERWISE SPECIFIED:	OWN	S. ZHAO	02MAR2007
INCHES	0 PLC ±.01	CHK	S. ZHAO	02MAR2007
	1 PLC ±.01	APVD	S. ZHAO	
	2 PLC ±.01	NAME	RIGHT ANGLE RECEPTACLE ASSEMBLY WITH GUIDE MODULES MULTI-BEAM XL	
	3 PLC ±.01	PRODUCT SPEC	108-1973	
	4 PLC ±.005	APPLICATION SPEC	114-13038	
	ANGLES ±.0020	SIZE	CAGE CODE	DRAWING NO
MATERIAL	FINISH	WEIGHT	A100779	C=6450362
		CUSTOMER DRAWING	SCALE	1:1

4805 (3/11)