

Coding Keys

Type A Male (Backplane) Type A Female (Daughter Card)

CompactPCI® supports two types of voltages (3.3V and 5.0V). Coding keys are used to prevent damage by inserting the wrong boards into a system. Keys are snapped into the center polarization cavity. 3.3V cards are coded cadmium yellow and 5.0V are brilliant blue.

In total there are 70 different codings available which can be used in conjunction with the CompactPCI® specification or upon customer's requirement.

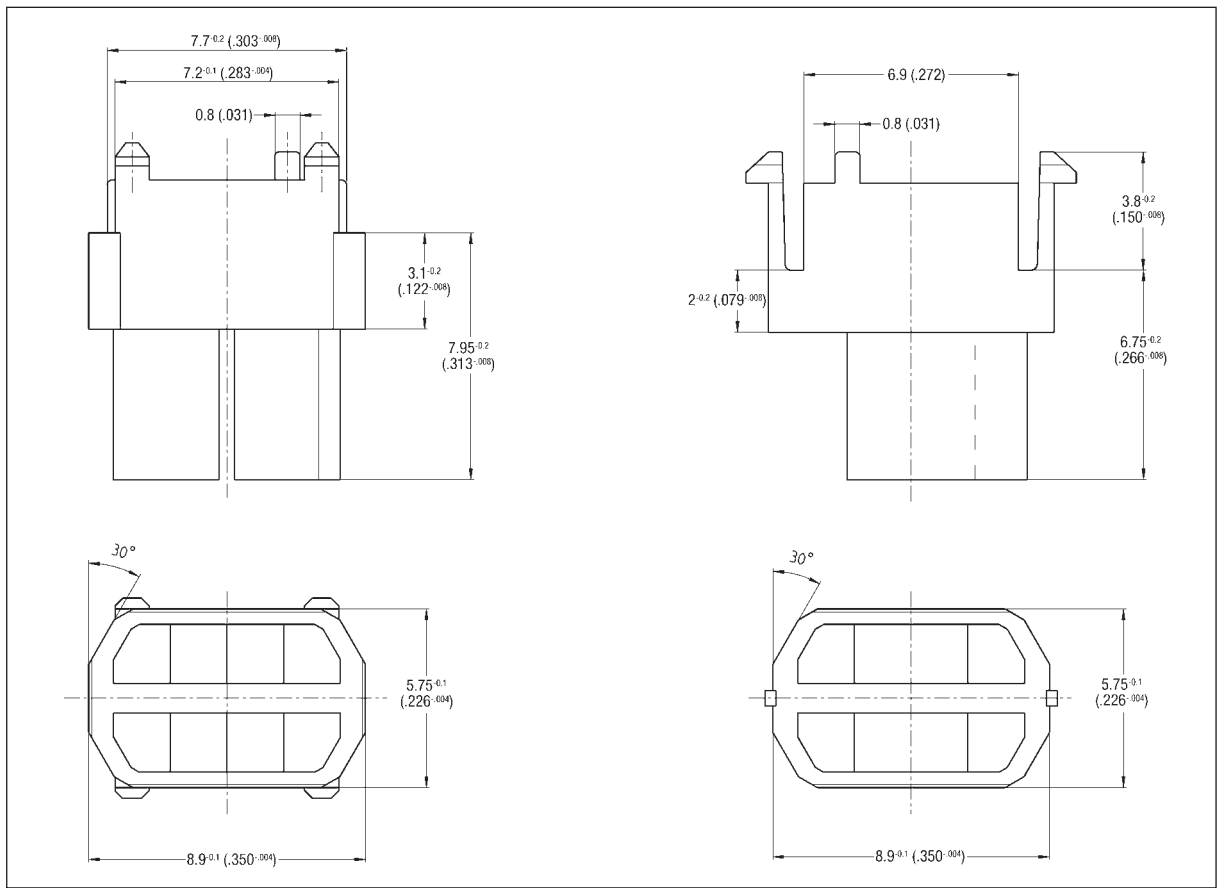


MALE

Cadmium	Brilliant	Pastel	Strawberry
Yellow	Blue	Orange	Red

FEMALE

Cadmium	Brilliant	Pastel	Strawberry
Yellow	Blue	Orange	Red



Coding Keys

Type A Male (Backplane)
Type A Female (Daughter Card)

MALE			FEMALE		
Coding Key	Color	Part Number	Coding Key	Color	Part Number
	Nut brown RAL 8011	67 7200 7014 01236		Nut brown RAL 8011	67 7200 7114 04578
	Strawberry Red Computer Telephony Spec. RAL 3018	67 7200 7014 01248		Strawberry Red Computer Telephony Spec. RAL 3018	67 7200 7114 03567
	Blue Lilac RAL 4005	67 7200 7014 01356		Blue Lilac RAL 4005	67 7200 7114 02478
	Brilliant Blue 5.0 V C-PCI RAL 5007	67 7200 7014 01567		Brilliant Blue 5.0 V C-PCI RAL 5007	67 7200 7114 02348
	Reseda Green RAL 6011	67 7200 7014 02578		Reseda Green RAL 6011	67 7200 7114 01346
	Cadmium Yellow 3.3 V C-CPI RAL 1021	67 7200 7014 03456		Cadmium Yellow 3.3 V C-CPI RAL 1021	67 7200 7114 01278
	Slate Grey RAL 7015	67 7200 7014 03467		Slate Grey RAL 7015	67 7200 7114 01258
	Steel Blue RAL 5011	67 7200 7014 03478		Steel Blue RAL 5011	67 7200 7114 01256
	Pastel Orange RAL 2003	67 7200 7014 03568		Pastel Orange RAL 2003	67 7200 7114 01247
	Ocher Yellow RAL 1024	67 7200 7014 04678		Ocher Yellow RAL 1024	67 7200 7114 01235