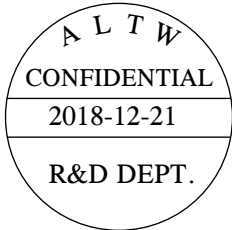
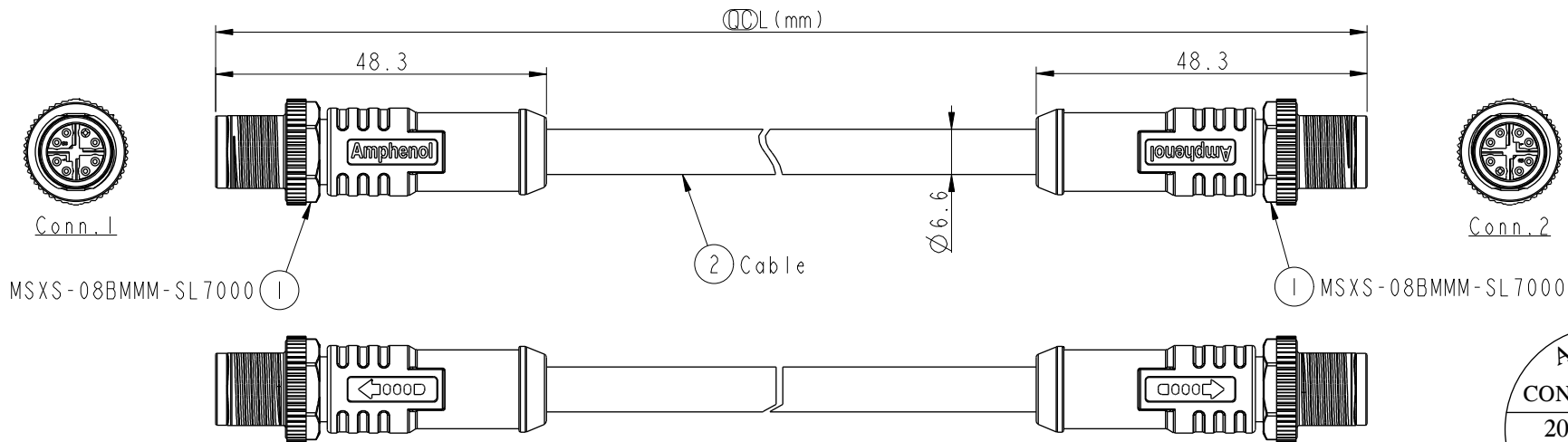


THIS DOCUMENT IS SUBJECT TO CHANGE WITHOUT NOTICE. IT IS CONFIDENTIAL AND A PROPERTY OF Amphenol LTW. DISCLOSURE TO THIRD PARTY HAS TO BE AUTHORIZED BY Amphenol LTW.

REV.	ECN NO.	DATE	SIGN	DESCRIPTION
C	C180009	2018-08-10	Fisher Wang	update drawing
D	C180514	2018-12-04	Vicky	Update note cable length
E	C180642	2018-12-21	Ruru	Modify Drawing Mark Cable Length



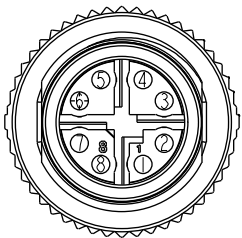
Note:

- \*  $\varnothing$  Important Dimensions To Check
- \* Waterproof Rate: IP67
- \* Connector: Nylon+GF, Black
- \* Pin: Copper Alloy, Gold Plated
- \* Screw Nut: Zinc Alloy, Nickel Plated
- \* Shield: Copper Alloy
- \* Outer Mold: PU, Black
- \* Cable: Cat6A, 26AWG\*4P+B, LSZH, UV resistant  
OD 6.6mm, Green Jacket.
- \* Rated Voltage: 50 V AC, 60 V DC
- \* Rated Current: 0.5A
- \* Cable length Tolerance: 0.5M±20mm  
01M±40mm  
02M~05M±60mm  
06M~10M±100mm  
11M~30M±200mm  
31M~40M±500mm

MSXS08ML-SXSML-SGX $\Delta$ XX $\Delta$

XXX : 0.5~40 Meters  
 A05 : 0.5 Meter  
 001 : 1 Meter  
 002 : 2 Meters  
 :  
 040 : 40 Meters

Cable Length(L):0.5~40Meters



Conn.1&2  
Pin Assignment  
Front View

Shield	Braid		Shield
8	Blue	藍	8
7	White/Blue	白/藍	7
6	Brown	棕	6
5	White/Brown	白/棕	5
4	Green	綠	4
3	White/Green	白/綠	3
2	Orange	橙	2
1	White/Orange	白/橙	1
Conn.1	Wire Color		Conn.2
Pin Out			

UNIT:mm		TITLE	M12 X-code Double Ended
TOLERANCE	$\pm 0.5$ mm	SCALE	1:1
		SIZE	A4
		SHEET	1 OF 1
		REV.	E
		WC-REV.	A.3
		$\varnothing$	Inspection item

**Amphenol LTW**  
安費諾亮泰企業股份有限公司

ITEM NO	DRAWN BY	DATE
	Ruru	2018-12-21
DWG NO	CHECKED BY	DATE
MSXS08ML-SXSML-SGX $\Delta$ XX	Rita	2018-12-21
CUSTOMER	APPROVED BY	DATE
ALTW	Max	2018-12-21