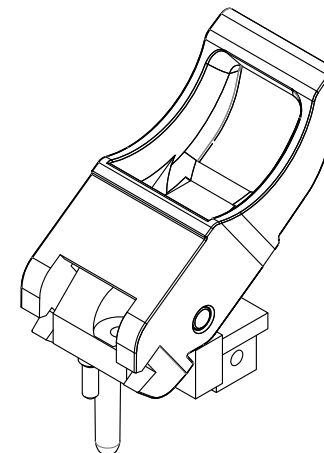
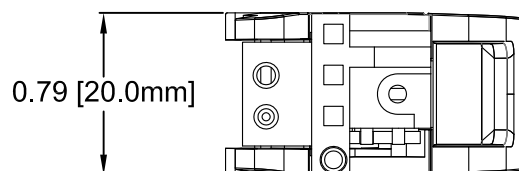
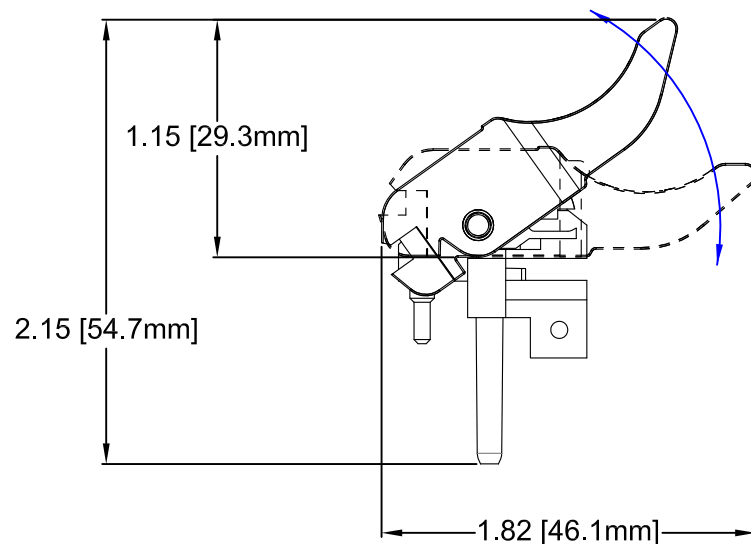
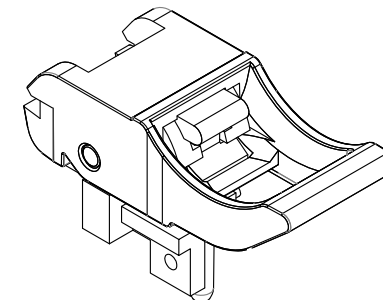


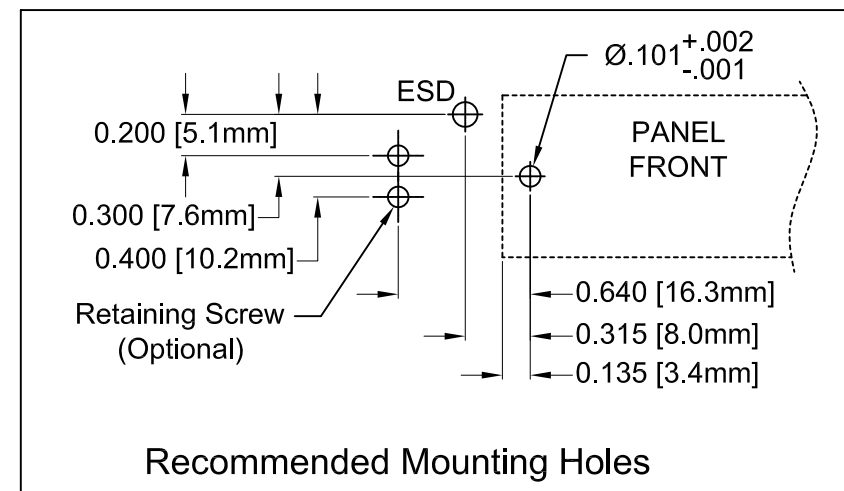
REV.	DESCRIPTION	DATE	APPROVED
A	Engineering Release.	06/26/14	J. C.



3D VIEW OPEN





3D VIEW LOCKED



NOTES:

1. Compliant with PICMG CPCI standard
2. Mounting screws shipped unassembled

STANDARD TOLERANCE (UNLESS OTHERWISE SPECIFIED)		 BIVAR [®] 4 THOMAS, IRVINE, CA, 92618 TEL: (949) 951-8808 FAX: (949) 951-3974					
DECIMALS	ANGULAR						
.X ± .1	X° ± 1°		TITLE: CPCI EJECTOR HANDLE TOP, STYLE E5				
.XX ± .01				DESIGNED: Brian Oliver	DATE: 06/26/14	PART NO: CPCI-E5-T	REVISION: A
.XXX ± .005				CHECKED: A. Wright	DATE: 06/26/14		CAGE CODE : 32559
CAD GENERATED DOCUMENT, DO NOT MEASURE DRAWING.							