

ST-Z0014 - Metal protective cap



1616069

<https://www.phoenixcontact.com/us/products/1616069>

Please be informed that the data shown in this PDF document is generated from our online catalog. Please find the complete data in the user documentation. Our general terms of use for downloads are valid.



Metal protective cap, M17, degree of protection: IP67, series: ST, Alternative product in accordance with RoHS II without Exemption 6c (Pb <0.1%) item no.: 1243010

Commercial data

Item number	1616069
Packing unit	1 pc
Minimum order quantity	10 pc
Sales key	AB35
Product key	ABRGAA
Catalog page	Page 182 (C-2-2019)
GTIN	4046356553087
Weight per piece (including packing)	13.71 g
Weight per piece (excluding packing)	13.41 g
Customs tariff number	85389099
Country of origin	DE

ST-Z0014 - Metal protective cap



1616069

<https://www.phoenixcontact.com/us/products/1616069>

Technical data

Product properties

Product type	Protective cap
Series	ST

Environmental and real-life conditions

Ambient conditions

Degree of protection	IP67
----------------------	------

ST-Z0014 - Metal protective cap

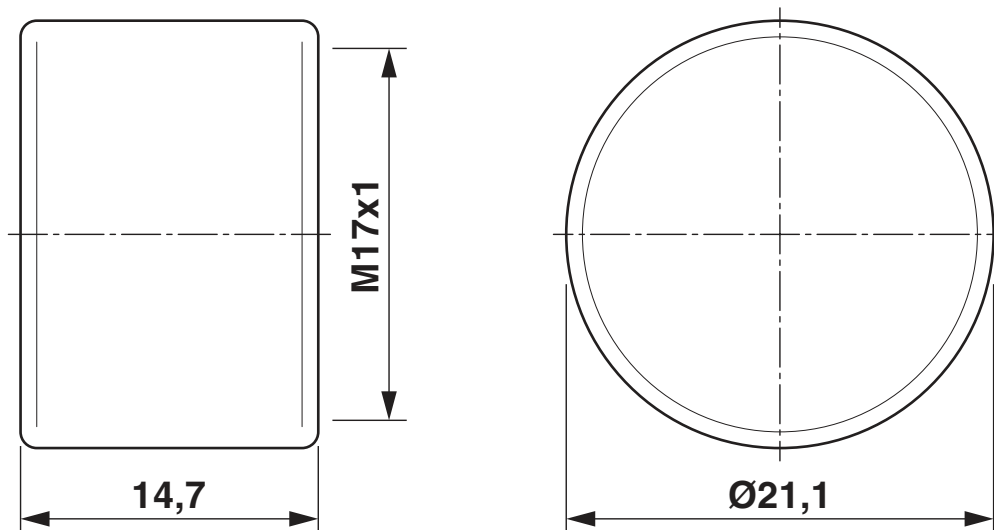
1616069

<https://www.phoenixcontact.com/us/products/1616069>



Drawings

Dimensional drawing



ST-Z0014 - Metal protective cap



1616069

<https://www.phoenixcontact.com/us/products/1616069>

Classifications

ECLASS

ECLASS-11.0	27440208
ECLASS-13.0	27440208
ECLASS-12.0	27440208

ETIM

ETIM 8.0	EC002314
----------	----------

UNSPSC

UNSPSC 21.0	39121400
-------------	----------

ST-Z0014 - Metal protective cap



1616069

<https://www.phoenixcontact.com/us/products/1616069>

Environmental product compliance

REACH SVHC	Lead 7439-92-1
China RoHS	Environmentally Friendly Use Period = 50 years
	For information on hazardous substances, refer to the manufacturer's declaration available under "Downloads"

Phoenix Contact 2023 © - all rights reserved

<https://www.phoenixcontact.com>

Phoenix Contact USA
586 Fulling Mill Road
Middletown, PA 17057, United States
(+717) 944-1300
info@phoenixcon.com