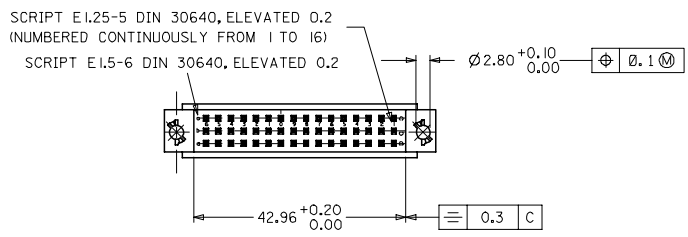
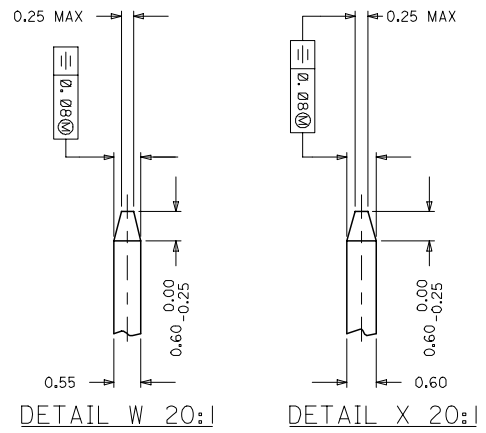
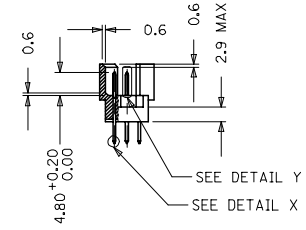
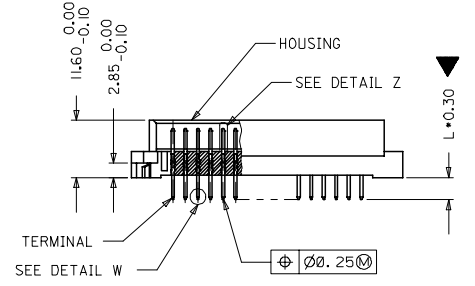
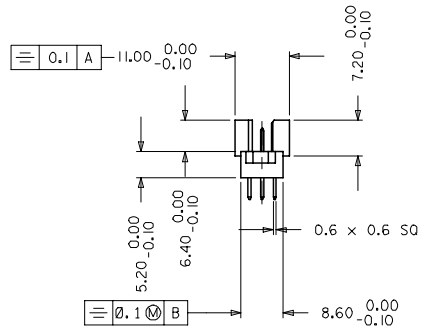
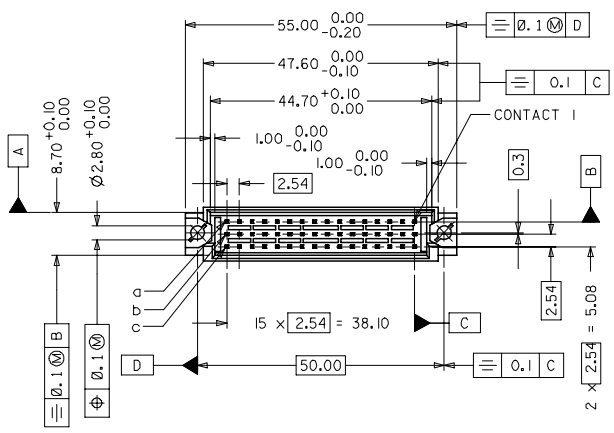


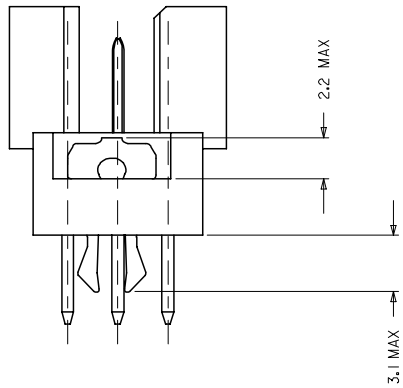
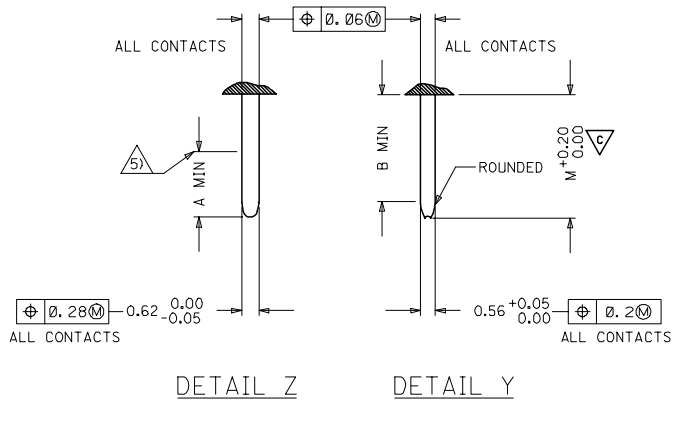
- NOTES:
- MATERIAL NUMBER, BATCH CODE, UL CSA MARKING TO BE PRINTED ON THE CONNECTOR AS PER E-36502-005
  - PRODUCT SPECIFICATION PS:85013-001
  - PACKING SPECIFICATION PK: 36512-001
  - CUT FACES OF TIP WITHOUT PLATING IS PERMITTED
  - REFERENCE AREA OF PLATING
  - GAUGE DRAWING REFER E-36500-100



REV	DESCRIPTION	QUALITY SYMBOLS	GENERAL TOLERANCES (UNLESS SPECIFIED)		DIMENSION STYLE		SCALE	DESIGN UNITS	THIRD ANGLE PROJECTION
			mm	INCH	MM ONLY		METRIC		
EC NO. 12005-0092	DRWN:SHIVASHA	2004/11/23	4 PLACES ±---	±---	NS	DATE	2:1	METRIC	THIRD ANGLE PROJECTION
CHK:KPRASAD	2004/11/23	3 PLACES ±0.005	±---	DATE	2004/03/31	TITLE: 48 POS. MALE CONNECTOR ACC. DIN 41612			
APPR:SSUDHIR	2004/11/23	2 PLACES ±0.05	±---	DATE	2004/03/31	STYLE R/2 CONTACTS			
		1 PLACE ±0.1	±---	DATE	2004/03/31	MOLEX INCORPORATED			
		ANGULAR ± 2 °			MATERIAL NO.		DOCUMENT NO.	SHEET NO.	
			DRAFT WHERE APPLICABLE MUST REMAIN WITHIN DIMENSIONS		SEE CHART		E-85013-0002	1 OF 2	
			THIS DRAWING CONTAINS INFORMATION THAT IS PROPRIETARY TO MOLEX INCORPORATED AND SHOULD NOT BE USED WITHOUT WRITTEN PERMISSION						

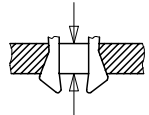
PRE MATING CONTACTS	5.4	4.1	4.8
NORMAL CONTACTS	4.8	3.5	4.2
	M	A	B

### MALE CONNECTOR WITH MOUNTING CLIPS



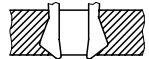
CLIPS SNAP UNDER  
PC - BOARD OF  
1.5 to 1.8 mm  
 $F_m < 60N$   
 $F_r >= 20N$   
 $F_r >= 200N$ , WHEN  
SOLDERED IN  
PLATED - THROUGH  
FIXING HOLES

$F_m$  = MOUNTING FORCE  
(FOR ONE CONNECTOR = 2 CLIPS)



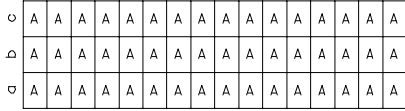
$F_r$  = RETENTION FORCE  
(FOR ONE CONNECTOR = 2 CLIPS)

CLIPS STICK IN  
FIXING HOLE OF  
PC - BOARDS  
OVER 1.8 mm  
 $F_m < 60N$   
 $F_r >= 16N$



IEC NO.: I2005-0092 DRAWN BY: DR WINGHYASHA CHECKED BY: CH KRIPRASAD APPR: SUDHIR 2004/11/23 2004/11/23 2004/11/23	QUALITY SYMBOLS $\nabla=0$ $\nabla=1$	GENERAL TOLERANCES (UNLESS SPECIFIED)		DIMENSION STYLE MM ONLY	SCALE 2:1	DESIGN UNITS METRIC	THIRD ANGLE PROJECTION
		4 PLACES ± --- ± --- 3 PLACES ± 0.005 ± --- 2 PLACES ± 0.05 ± --- 1 PLACE ± 0.1 ± --- ANGULAR ± 2°	DRAWN BY: NS DATE: 2004/03/31 CHECKED BY: GJLOWE DATE: 2004/03/31 APPROVED BY: GJLOWE DATE: 2004/03/31	TITLE: 48 POS. MALE CONNECTOR ACC. DIN 41612 STYLE R/2 CONTACTS		MATERIAL NO. SEE CHART	DOCUMENT NO. E-85013-0002
DRAFT WHERE APPLICABLE MUST REMAIN WITHIN DIMENSIONS		THIS DRAWING CONTAINS INFORMATION THAT IS PROPRIETARY TO MOLEX INCORPORATED AND SHOULD NOT BE USED WITHOUT WRITTEN PERMISSION					

VIEW ON MATING SIDE



- 2 3 4 5 6 7 8 9 10 = 11 12 13 14 15 16

A = 48 STANDARD CONTACTS L = 2.9

MARKING	STANDARD
PERFORMANCE LEVEL	G2/0 = CONTACT AREA LEVEL2 / TERMINATION TIN
FLUX PROOF	NO
FIXING CLIP	NO
DIMENSIONS	E-85013-0002 SHT 1-2

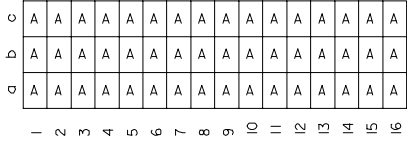
A	G2/0	a1-16 b1-16 c1-16
CONTACT SYMBOL	PERFORMANCE LEVEL	CONTACT POSITION NUMBER

SL. NO.	DESCRIPTION	CONTACT SYMBOL	PART NUMBER	QTY
1	HOUSING		36520-0002	1
2	TERMINAL	A	36527-0005	48

EC NO. I 2004-XXXX DRAWNS 31/03/04 CHKS G.L. 31/03/04 APPR G.L. 31/03/04	QUALITY SYMBOLS	GENERAL TOLERANCES: (UNLESS SPECIFIED)		SCALE	DESIGN UNITS	THIRD ANGLE PROJECTION		DIMENSIONS:	SHT	REV	
	MAJOR CRITICAL	4 PLACES	±0.	±.	mm	INCH	<input checked="" type="checkbox"/> mm	<input type="checkbox"/> INCH	<input type="checkbox"/> mm	<input checked="" type="checkbox"/> INCH ONLY	REVISE ON CAD ONLY
		3 PLACES	±0.	±.							
		2 PLACES	±0.	±.							
		1 PLACE	±0.	±.							
		ANGULAR ±									
		DRAWN BY & DATE	NLS 31/03/04		DRAWN BY & DATE		G.L. 31/03/04		TITILE: 48 POS MALE CONNECTOR		
	CHECKED BY & DATE	G.L. 31/03/04		CHECKED BY & DATE		G.L. 31/03/04		ACCORDING DIN 41612 STYLE R/2			
	APPROVED BY & DATE	G.L. 31/03/04		APPROVED BY & DATE		G.L. 31/03/04		CONTACTS ARRANGEMENT			
	CAD FILENAME	E-85013-2012.S01		MATERIAL NO.	85013-2012		DRAWING NO.	E-85013-2012		SHEET NO. 1 OF 1	
	DRAFT WHERE APPLICABLE MUST REMAIN WITHIN DIMENSIONS THIS DRAWING CONTAINS INFORMATION THAT IS PROPRIETARY TO MOLEX INCORPORATED AND SHOULD NOT BE USED WITHOUT WRITTEN PERMISSION.										
		MOLLEX		MOLEX INCORPORATED						SIZE D	

20 19 18 17 16 15 14 13 12 11 9 8 7 6 5 4 3 2 1

VIEW ON MATING SIDE



A = 48 STANDARD CONTACTS L = 2.9

MARKING	STANDARD
PERFORMANCE LEVEL	G2/0 = CONTACT AREA LEVEL2 / TERMINATION TIN
FLUX PROOF	NO
FIXING CLIP	NO
DIMENSIONS	SD-85013-0002 SHT 1

A	G2/0	a1-16	b1-16	c1-16
CONTACT SYMBOL	PERFORMANCE LEVEL	CONTACT POSITION NUMBER		

EC NO. I 2004-XXXX DRAWN BY: 11/10/01 CHKD BY: G.L. 11/10/01 APPR. G.L. 11/10/01	QUALITY SYMBOLS MAJOR $\blacktriangledown$ CRITICAL $\nabla$	GENERAL TOLERANCES: (UNLESS SPECIFIED): 4 PLACES $\pm 0.$ mm $\pm .$ INCH 3 PLACES $\pm 0.$ mm $\pm .$ INCH 2 PLACES $\pm 0.$ mm $\pm .$ INCH 1 PLACE $\pm 0.$ mm $\pm .$ INCH	SCALE: <input checked="" type="checkbox"/> MM <input type="checkbox"/> INCH DESIGN UNITS: <input checked="" type="checkbox"/> MM <input type="checkbox"/> INCH	THIRD ANGLE PROJECTION <input type="checkbox"/> 1ST ANGLE <input checked="" type="checkbox"/> THIRD ANGLE	DIMENSIONS: <input type="checkbox"/> MM <input type="checkbox"/> INCH <input checked="" type="checkbox"/> MM ONLY	SHT 1 REV REVISE ON CAD ONLY
	DRAWN BY & DATE: NLS 11/10/01 CHECKED BY & DATE: G.L. 11/10/01 APPROVED BY & DATE: G.L. 11/10/01	TITLE: 48 POS MALE CONNECTOR ACCORDING DIN 41612 STYLE R/2 CONTACTS ARRANGEMENT		MATERIAL NO. 85013-2012 DRAWING NO. SD-85013-2012		SHEET NO. 1 OF 1 SIZE D
CAD FILENAME: S850132012.S01		THIS DRAWING CONTAINS INFORMATION THAT IS PROPRIETARY TO MOLEX INCORPORATED AND SHOULD NOT BE USED WITHOUT WRITTEN PERMISSION.				
DRAFT WHERE APPLICABLE MUST REMAIN WITHIN DIMENSIONS		THIS DRAWING CONTAINS INFORMATION THAT IS PROPRIETARY TO MOLEX INCORPORATED AND SHOULD NOT BE USED WITHOUT WRITTEN PERMISSION.				

19 18 17 16 15 14 13 12 11 10 9 8 7 6 5 4 3 2 1

VIEW ON MATING SIDE

⊂	A	A	A	A	A	A	A	A	A	A	A	A	A	A	A	A	A	A	A
⊃	A	A	A	A	A	A	A	A	A	A	A	A	A	A	A	A	A	A	A
⊄	A	A	A	A	A	A	A	A	A	A	A	A	A	A	A	A	A	A	A

1 2 3 4 5 6 7 8 9 10 11 12 13 14 15 16 17 18 19 20

A = 48 STANDARD CONTACTS L-2,9

Marking	Standard
Performance level	G2/0 = Contact area perform. level2 / Termination tin
Flux proof	no
Fixing clip	no
Dimensions	SDA-85013-0002 sht.1
Technical Data	PS-85013-0001

A	G2/0	a1-16	b1-16	c1-16
Contact symbol	Perform. level	Contact position number		

first release see ECN No. 1868	REVISIONS		FOR PREVIOUS REVISIONS SEE MRI LIST	
	REVISIONS			
LTR	UNLESS OTHERWISE SPECIFIED TOLERANCES: ANGULAR ± 2° INCH METRIC	DRWG BY <b>Ca</b>	SIGN	SH. REV.
	3 PLACE ± .	CHK'D BY <b>KN</b>	SIGN	THIS DRAWING CONTAINS INFORMATION THAT IS PROPRIETARY TO MOLEX INC. & SHOULD NOT BE USED WITHOUT WRITTEN PERMISSION
	2 PLACE ± .	APP'D BY	SIGN	
	1 PLACE ± .	SCALE		
	DRAFT WHERE APPLICABLE MUST REMAIN WITHIN DIMENSIONS	DESIGN DIMENSION <input type="checkbox"/> MM <input type="checkbox"/> IN.		
	EQUIVALENT DIMENSION <input type="checkbox"/> MM <input type="checkbox"/> IN.			
	IF TWO DIMENSIONS ARE SHOWN, THE UPPER IS THE DESIGN DIMENSION, LOWER IS SECONDARY			
REVISE ONLY ON CAD SYSTEM		CAD/CAM PROJECT NAME s8501320 s11		SHEET NO. DATE 1 OF 1 95/06/07
TITLE 48 pos. Male connector acc. DIN 41612 style R/2 contacts arrangement		PART NO. 85013-2012		SIZE SDA-85013-2012
MOLEX®		MOLEX EUROPE		