

Precision Test Adapters

3.5 mm(M) to 3.5 mm(F)

withwave

Versatile RF & MW Test Solutions

Withwave's Precision Test Adapters are designed based on precision microwave interconnection technologies. This 3.5mm(M) to 3.5 mm(F) adapter is manufactured to precise microwave specifications and constructed with male gender on side 1 and female gender side 2. The precision microwave connector interfaces ensure an excellent microwave performance up to 34 GHz



■ Features

- Frequency range : DC to 34 GHz
- VSWR 1.20 : 1 (Max) @ 34 GHz
- Body : Stainless steel (passivated)

■ Specification

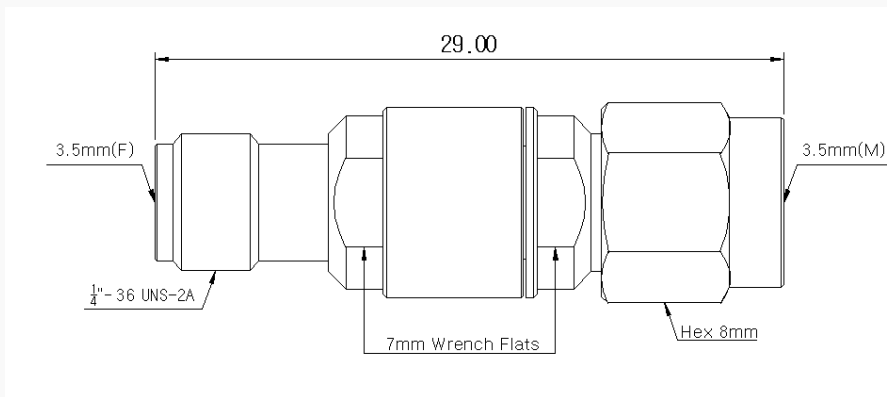
Scope	Specification	AD04M04FS1
Electrical	Impedance(Ohm)	50
	Operation Freq.(GHz)	DC to 34 GHz
	VSWR (Max)	1.20 : 1
Material	Dielectric	Special dielectric
	Center Contact	BeCu with gold plated
	Body	Passivated Stainless Steel

* RoHS Compliant

Drawing

Part No.: AD04M04FS1

Unit : mm



Test Result

Frequency : 10 MHz to 34 GHz

