

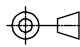


CODE 54 - BRAID TAIL BACKSHELL

203M016-19B08-L

SERIES _____
 ORDER NUMBER (TABLE 1) _____
 MATERIAL _____
 REFER TO CH00-0250-004
 FINISH _____
 REFER TO CH00-0250-004
 ENTRY SIZE (TABLE 2) _____
 MODIFICATION CODE _____
 REFER TO CH00-0250-004 (2)

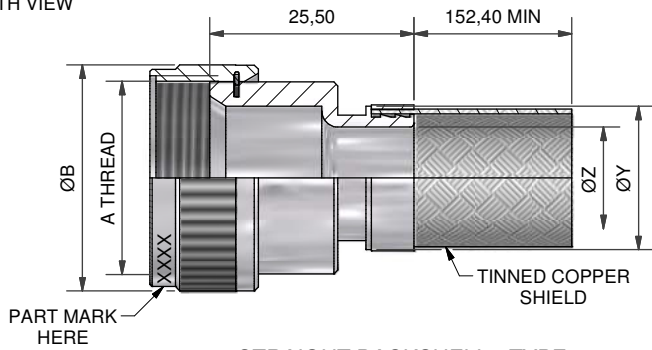
NOTES:

1. THIS PRODUCT IS DESIGNED TO TERMINATE A HEAT SHRINKABLE LIPPED BOOT TO A CONNECTOR.
- (2) FOR ADDITIONAL DIMENSIONS, ORDERING INFORMATION AND MODIFICATIONS, SEE CH00-0250-004
3. BACKSHELL TO BE PERMANENTLY MARKED/BAGGED AND LABELLED WITH CODE IDENTIFICATION NUMBER AND PART NUMBER. (e.g. 06090-203M016-19B08).
- (4) WHEN ENTRY SIZE EXCEEDS "MAX ENTRY", A 2 PIECE BACKSHELL (TYPE 2) IS SUPPLIED.
5. BRAID TERMINATION RING MAY BE SUPPLIED AS TINEL-LOCK SHAPE MEMORY RING AT MANUFACTURERS OPTION.
- (6) BACKSHELL MATES TO MIL-C-81703, SERIES III, MS3424, MS3446, MS3464, MS3467, MS3468, CLASS E & L
- (7) BACKSHELL MATES TO MIL-C-5015G, MS3400 SERIES, CLASS D, E, K, L, U & W, MS3400, MS3401, MS3404, MS3406, MS3450, MS3451, MS3454, MS3456, MS3470, MS3471, MS3472, MS3474, MS3475, MS3476. MIL-C-83723, SERIES II, CLASS A & L. MIL-C-83723, SERIES I & III, CLASS A, G, K, R & S: M83723/1, /2, /3, /4, /5, /6, /7, /8, /13, /14, /36, /37, /38, /40, /41, /42, /43, /48, /49, /65, /66, /67, /68, /69, /70, /71, /72, /73, /74, /75, /76, /77, /78, /82, /83, /84, /85, /86, /87, /91, /92, /95, /97, /98, (MS3155 CONTROLLED INTERFACE).
8. WHEN "L" MODIFICATION IS SPECIFIED, COUPLING NUT SHALL HAVE 3 WIRE HOLES, 120° APART.

DRAWN	K.WINCZURA	DATE 19/01/2015	 3RD ANGLE PROJECTION NOT TO SCALE	TITLE:	 Polamco  connectivity
CHECKED		19/01/2015		BRAID TAIL BACKSHELL (CODE 54)	
APPROVED	K.SHEPPARD	29/01/2015	UNLESS OTHERWISE SPECIFIED ALL DIMENSIONS IN MILLIMETRES GENERAL TOL LINEAR +/-0.25MM ANGULAR +/- 1°	ASSY USED ON:	
APPROVED	H.SMITH	01/10/2015		MIL-DTL-26482 SERIES II / MIL-DTL-83723 SERIES I & III	
REVISIONS					
LTR	DESCRIPTION	DATE	APPROVED		
R	REVISED PER ECO-15-002225	19/02/2015	H.SMITH		
S	REVISED PER ECO-15-013980	01/10/2015	H.SMITH		
TE CAGE CODE: 06090 POLAMCO/TE CAGE CODE: U5792				TE CONNECTIVITY - POLAMCO LTD RESERVES THE RIGHT TO AMEND THIS DRAWING AND THE INFORMATION SET FORTH HEREON AT ANY TIME. USERS SHOULD INDEPENDENTLY EVALUATE THE SUITABILITY OF THE PRODUCT FOR THEIR APPLICATION.	DRAWING NO: 203M0XX
				DRAWING REV: S	SHT 1

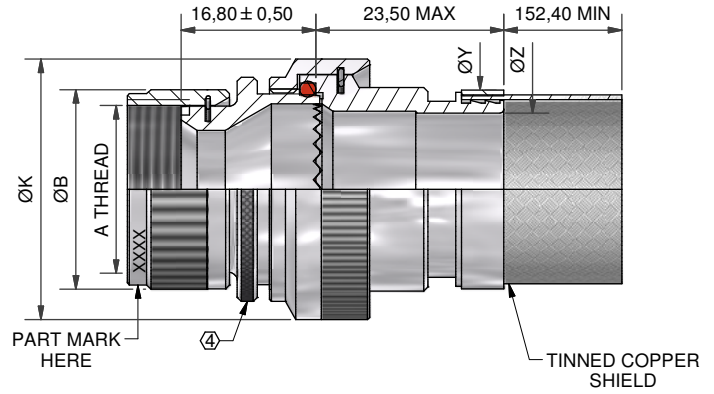


STAINLESS
STEEL
TEETH VIEW



STRAIGHT BACKSHELL - TYPE 1

IF MAX ENTRY IS EXCEEDED BACKSHELL
WILL BE SUPPLIED AS TYPE 2



STRAIGHT BACKSHELL - TYPE 2

TABLE 1

ORDER NUMBER	SHELL SIZE		A THREAD	ØB MAX	MAX ENTRY
	⑥	⑦			
03	3		9/16-24 UNEF	17,0	04
08		8 & 8S	1/2-20 UNF	15,6	04
10	10	10, 10S, 10SL	5/8-24 UNEF	18,6	06
12	7	12 & 12S	3/4-20 UNEF	21,7	08
14	12	14 & 14S	7/8-20 UNEF	24,9	09
16	19	16 & 16S	1-20 UNEF	28,2	11
18	27	18	1 1/16-18 UNEF	30,9	12
20	37	20	1 3/16-18 UNEF	34,1	14
22		22	1 5/16-18 UNEF	37,3	16
24		24	1 7/16-18 UNEF	40,4	18
28		28	1 3/4-18UNS	50,0	22
32		32	2-18 UNS	56,3	24
36		36	2 1/4-16 UN	62,7	28
40		40	2 1/2-16 UN	69,0	28
44		44	2 3/4-16 UN	75,4	28
48		48	3-16UN	81,7	28
61	61		1 1/2-18 UNEF	42,0	18

TABLE 2

ENTRY SIZE	ØK MAX	ØZ REF	ØY REF
03	NA	4,77	13,1
04	NA	6,35	13,1
05	21,0	7,92	13,1
06	21,0	9,52	17,9
07	21,0	11,12	17,9
08	24,5	12,70	17,9
09	24,5	14,27	17,9
10	29,0	15,87	24,2
11	29,0	17,47	24,2
12	32,5	19,05	24,2
13	35,5	20,62	24,2
14	35,5	22,23	30,6
15	37,0	23,82	30,6
16	37,0	25,40	30,6
17	40,0	26,98	33,2
18	40,0	28,60	33,2
20	43,5	31,80	42,0
21	48,5	33,34	42,0
22	48,5	35,00	42,0
24	52,1	38,10	42,0
28	58,5	44,45	49,0

DRAWN	K.WINCZURA	DATE	19/01/2015
CHECKED		DATE	19/01/2015
APPROVED	K.SHEPPARD	DATE	29/01/2015
APPROVED	H.SMITH	DATE	01/10/2015



3RD ANGLE
PROJECTION
NOT TO
SCALE

UNLESS OTHERWISE SPECIFIED
ALL DIMENSIONS IN MILLIMETRES
GENERAL TOL
LINEAR +/-0,25MM
ANGULAR +/- 1°

REVISIONS

LTR	DESCRIPTION	DATE	APPROVED
R	REVISED PER ECO-15-002225	19/02/2015	H.SMITH
S	REVISED PER ECO-15-013980	01/10/2015	H.SMITH

TITLE:

BRAID TAIL BACKSHELL (CODE 54)

ASSY USED ON:

MIL-DTL-26482 SERIES II / MIL-DTL-83723 SERIES I & III



TE CONNECTIVITY - POLAMCO LTD RESERVES THE RIGHT TO AMEND THIS DRAWING
AND THE INFORMATION SET FORTH HEREON AT ANY TIME. USERS SHOULD
INDEPENDENTLY EVALUATE THE SUITABILITY OF THE PRODUCT FOR THEIR APPLICATION.

DRAWING NO:
203M0XX

DRAWING REV:
S

SHT
2

TE CAGE CODE: 06090
POLAMCO/TE CAGE CODE: U5792