

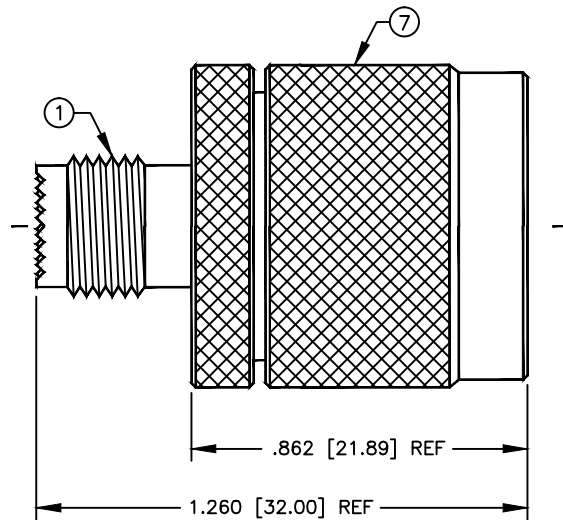
SPECIFICATION CONTROL DRAWING

THIS DRAWING CONTAINS INFORMATION PROPRIETARY TO RF INDUSTRIES, LTD. ANY UNAUTHORIZED USE OF THIS DRAWING IS EXPRESSLY PROHIBITED. ANY VIOLATION IS PUNISHABLE UNDER U.S. COPYRIGHT LAWS.

REV	DESCRIPTION	DWN	DATE	APPROVED
A	ENGINEERING RELEASE	CJ	3/26/92	J. BENZ
B	CREATE SECTION DRAWING	KMM	7/29/96	R. RICE
C	STANDARDIZE SHELL & BODY DIMS / CORRECT DIE DIM	CZS	10/1/99	R. RICE

ALL DIMENSIONS ARE REFERENCE ONLY

000000



SPECIFICATIONS:

IMPEDANCE: 50 OHMS
 WORKING VOLTAGE: 335 VRMS @ SEA LEVEL
 FREQUENCY RANGE: 0-2.5 GHz
 INTERFACE PER MIL-STD-348, SECTION 304.1

DIMENSIONS ARE IN INCHES AND [MILLIMETERS]

UNLESS OTHERWISE NOTED TOLERANCES ARE:
 DECIMALS DIAMETER

*RF*connectors

DIVISION OF RF INDUSTRIES, LTD.

7610 MIRAMAR RD
 SAN DIEGO, CA 92126
 (858) 549-6340
 (858) 549-6345 FAX

ITEM	DESCRIPTION	QTY	MATERIAL	FINISH
7	SHELL	1	BRASS	NICKEL
6	RETAINING RING	1	BRASS	NONE
5	GASKET	1	S.I. RUBBER	RED
4	PRESS FIT GRND RING	1	BRASS	NICKEL
3	DIELECTRIC	1	PTFE	NONE
2	CONTACT	1	BRASS	GOLD
1	BODY	1	BRASS	NICKEL

DRAWN C. ZUNIGA	10/1/99
CHECKED	
ORJ DRAWN ---	8/20/86

RFU-625

MINI UHF FEMALE TO N MALE ADAPTER

SIZE	CABLE GROUP	DWG NO.	REV
A	N/A	7464	C

APPROVALS	DATE	SCALE:	CAD FILE	SHEET	OF
		2:1	13ARC B	1	1