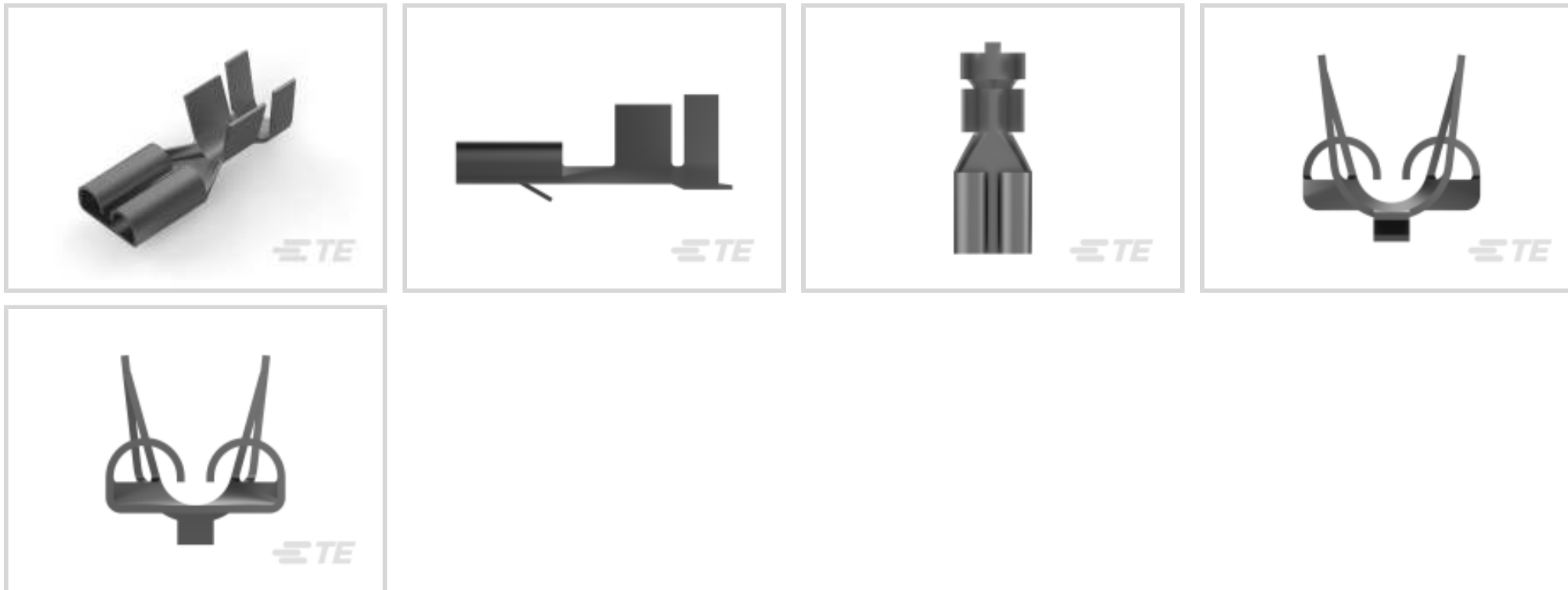




Terminals & Splices > Quick Disconnects



Quick Disconnect Terminal Type: **Receptacle**

Wire Size: **4 – 6.63 mm²**

Mating Tab Width: **6.35 mm [.25 in]**

Mating Tab Thickness: **.81 mm [.032 in]**

Features

Product Type Features

Insertion Force	Normal
-----------------	--------

Configuration Features

Connection Capacity	Single
Compatible With Wire & Cable Type	Discrete Wire

Electrical Characteristics

Voltage Rating	250 V
----------------	-------

Contact Features

Quick Disconnect Terminal Type	Receptacle
Mating Tab Width	6.35 mm [.25 in]
Mating Tab Thickness	.81 mm [.032 in]
Terminal Orientation	Straight
Contact Base Material	Brass
Terminal Plating Material	Pre-Tin
Crimp Type	F-Crimp



Barrel Type	Open
-------------	------

Termination Features

Product Terminates To	Wire & Cable
-----------------------	--------------

Mechanical Attachment

Wire Insulation Support	With
Mating Retention Type	Locking Lance

Dimensions

Terminal Material Thickness	.33 mm[.013 in]
Product Length	19 mm[.748 in]
Compatible Insulation Diameter Range	3.4 – 5.1 mm[.134 – .2 in]
Wire Size	4 – 6.63 mm ²

Usage Conditions

Insulation Option	Uninsulated
Operating Temperature Range	-40 – 110 °C[-40 – 230 °F]

Packaging Features

Packaging Quantity	3000
Packaging Method	Strip/Reel

Other

Terminals & Splices Comment	Without Dimple
-----------------------------	----------------

Product Compliance

[For compliance documentation, visit the product page on TE.com>](#)

EU RoHS Directive 2011/65/EU	Compliant
EU ELV Directive 2000/53/EC	Compliant
China RoHS 2 Directive MIIT Order No 32, 2016	No Restricted Materials Above Threshold
EU REACH Regulation (EC) No. 1907/2006	Current ECHA Candidate List: JUNE 2023 (235) Candidate List Declared Against: JUNE 2023 (235) Does not contain REACH SVHC
Halogen Content	Low Halogen - Br, Cl, F, I < 900 ppm per homogenous material. Also BFR/CFR/PVC Free
Solder Process Capability	Not applicable for solder process capability

Product Compliance Disclaimer

This information is provided based on reasonable inquiry of our suppliers and represents our current actual knowledge based on the information they provided. This information is subject to change. The part numbers that TE has identified as EU RoHS compliant have a maximum concentration of 0.1% by weight in homogenous materials for lead, hexavalent chromium, mercury, PBB, PBDE, DBP, BBP, DEHP, DIBP, and 0.01% for cadmium, or qualify for an exemption to these limits as defined in the Annexes of Directive 2011/65/EU (RoHS2). Finished electrical and electronic equipment products will be CE marked as required by Directive 2011/65/EU. Components may not be CE marked. Additionally, the part numbers that TE has identified as EU ELV compliant have a maximum concentration of 0.1% by weight in homogenous materials for lead, hexavalent chromium, and mercury, and 0.01% for cadmium, or qualify for an exemption to these limits as defined in the Annexes of Directive 2000/53/EC (ELV). Regarding the REACH Regulation, the information TE provides on SVHC in articles for this part number is based on the latest European Chemicals Agency (ECHA) 'Guidance on requirements for substances in articles' posted at this URL: <https://echa.europa.eu/guidance-documents/guidance-on-reach>

Compatible Parts



Also in the Series | **FASTIN-FASTON 250**



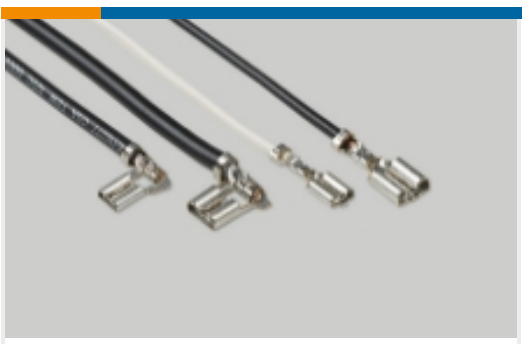
Crimp Terminal Housings(211)



Insertion & Extraction Tools(2)

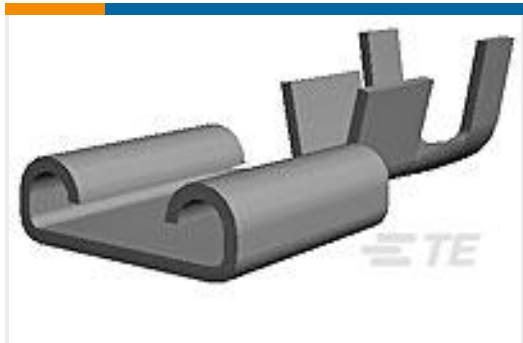


PCB Terminals(2)

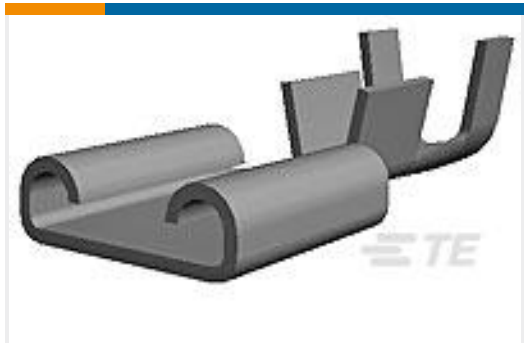


Quick Disconnects(254)

Customers Also Bought



TE Part #62998-2
250 FSATON REC 10-8 AWG TPBR



TE Part #1-160301-6
250 FASTON,REC.,10-12 AWG,TPBR



TE Part #42100-2
FF 250 REC 18-14AWG TPBR



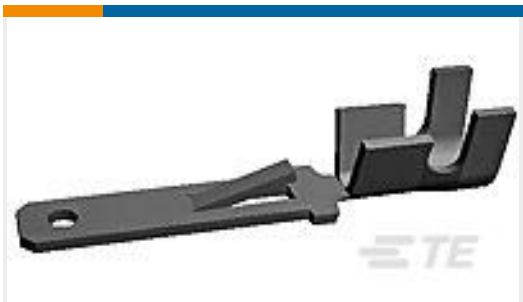
TE Part #DRB12-102PAE-L018
REC, 102P, BLK, E, CAP, A



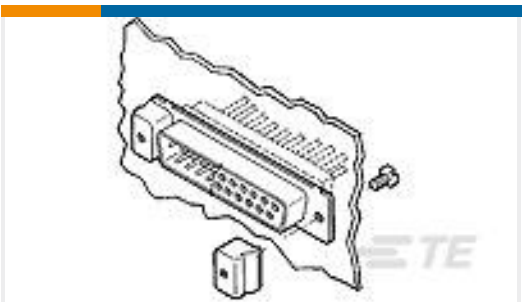
TE Part #1-967239-1
JPT GEH KPL GEH 2P



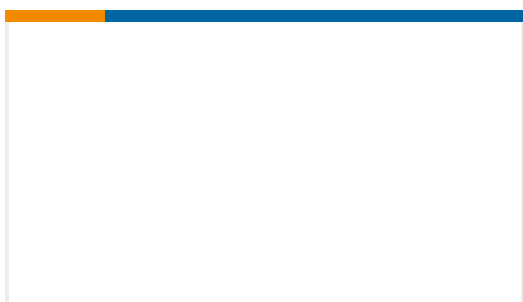
TE Part #9-1393239-5
RT314012



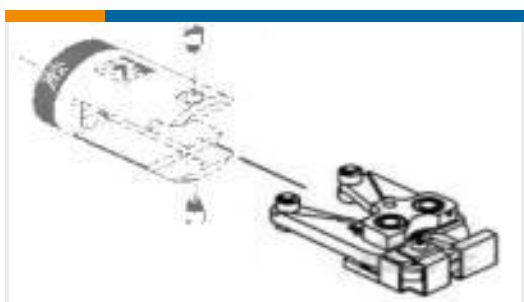
TE Part #280080-2
FF 250 TAB TERMINAL 11-10 AWG
PTPB



TE Part #208101-3
HDP LATCHING BLOCK



TE Part #2265185-2
CABLE ASSY, SUPER SEAL ANGLED



TE Part #679305-1
PLATFORM & TETRA CRMP HD ASSY

Documents

Product Drawings

[FF 250 REC 4-6MM2 PTBR](#)

English

CAD Files

[3D PDF](#)

[3D](#)

Customer View Model

[ENG_CVM_CVM_180351-8_AF_c-180351-8-af.2d_dxf.zip](#)



English

Customer View Model

[ENG_CVM_CVM_180351-8_AF_c-180351-8-af.3d_igs.zip](#)

English

Customer View Model

[ENG_CVM_CVM_180351-8_AF_c-180351-8-af.3d_stp.zip](#)

English

By downloading the CAD file I accept and agree to the [Terms and Conditions](#) of use.

Datasheets & Catalog Pages

[1654742_HOUSEHOLD_APPLIANCES_RAST5](#)

English