

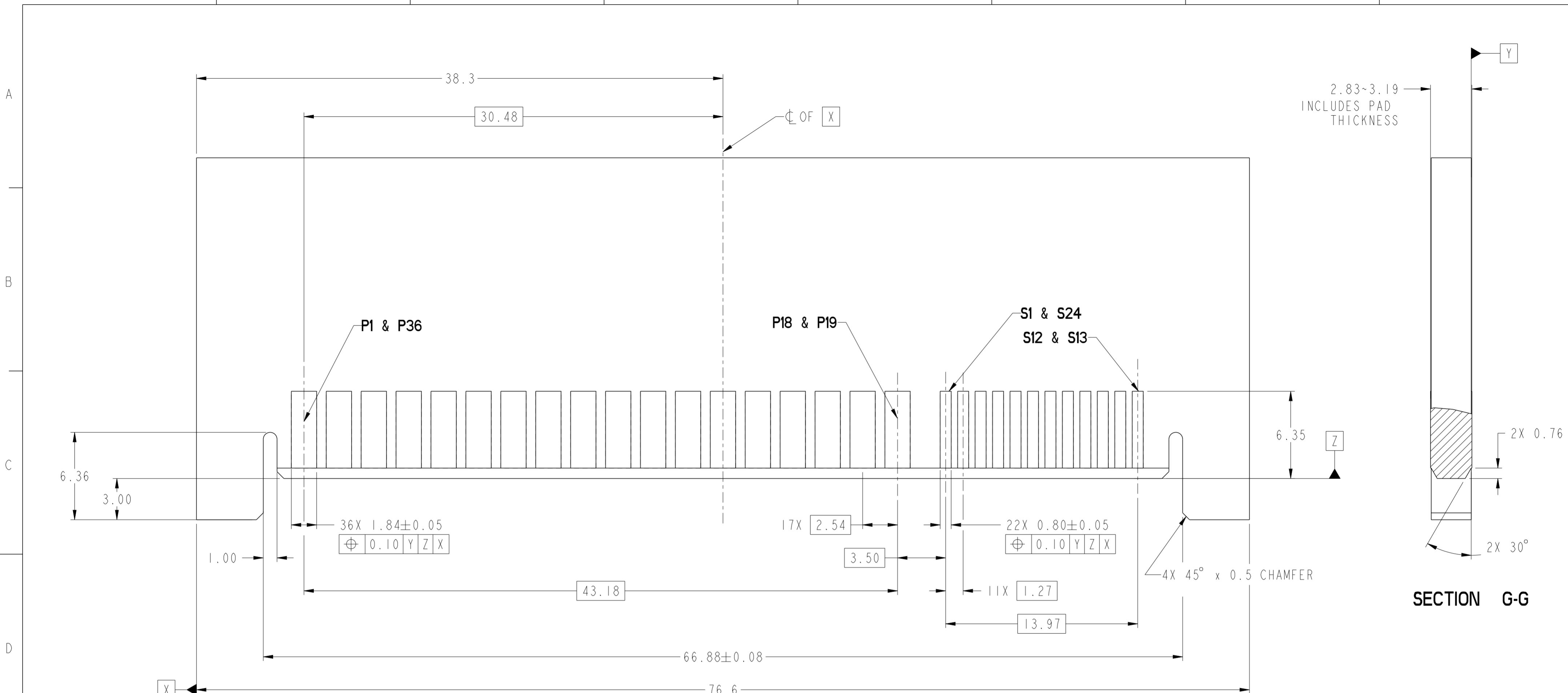
spec ref	-	dr	Hung Ngo	2013/01/04	projection	MM	size	A2	scale	4:1
tolerance std	ISO 406 ISO 1101	eng	Zhao Peter	2013/04/10			ecn no	-	rel level	Released
TOLERANCES UNLESS OTHERWISE SPECIFIED		chr	-	app						
surface	ISO 1302	linear	0.X	±0.3			<b>STRADDLE MT. 36P-24S</b> HPCE-MULTI-HOST-BOARD THICKNESS		dwg no 10123923	rev A
		angular	0°	±0°	www.fci.com	cat. no.	-	Product - Customer Drw	sheet 1 of 4	

PDS: Rev :A

STATUS:Released

Printed: Apr 11, 2013

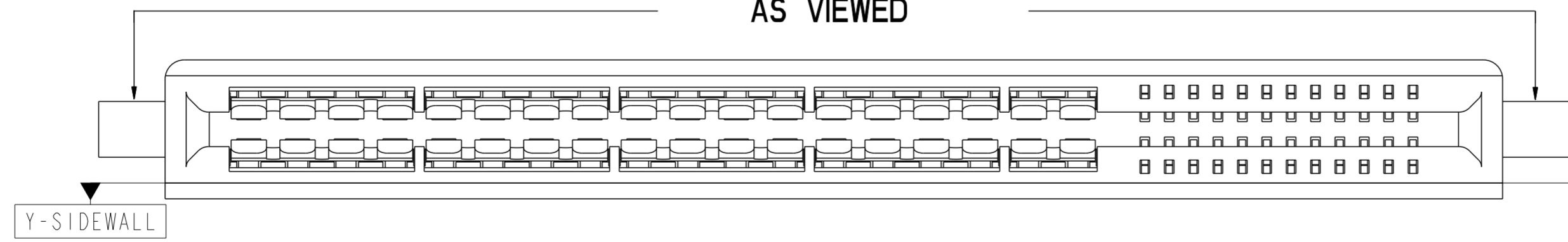
Copyright FCI. FCI



2.83~3.19  
INCLUDES PAD  
THICKNESS

**SECTION G-G**

**RECOMMENDED HOST BOARD LAYOUT  
AS VIEWED**



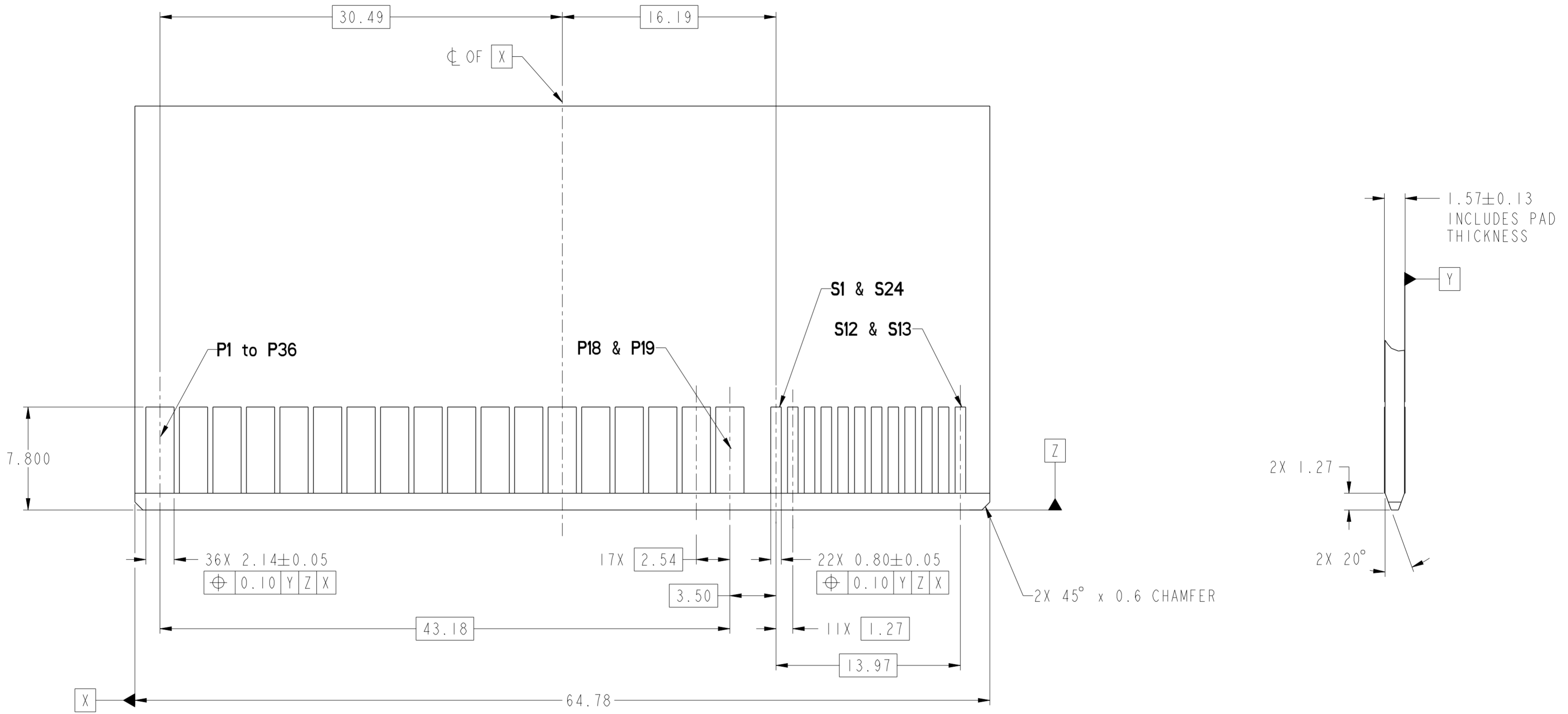
dr	Hung Ngo	2013/01/04	projection	MM	size	A2	scale	4:1
eng	Zhao Peter	2013/04/10			ecn no	-	rel level	Released
chr	-	-			cat. no.	-		
appr	Collins Lu	2013/04/10	product family	CARD EDGE	rel level	Released		
		<b>STRADDLE MT. 36P-24S</b> HPCE-MULTI-HOST-BOARD THICKNESS			dwg no 10123923	rev A		

PDS: Rev :A

STATUS:Released

Printed: Apr 11, 2013

Copyright FCI. FCI

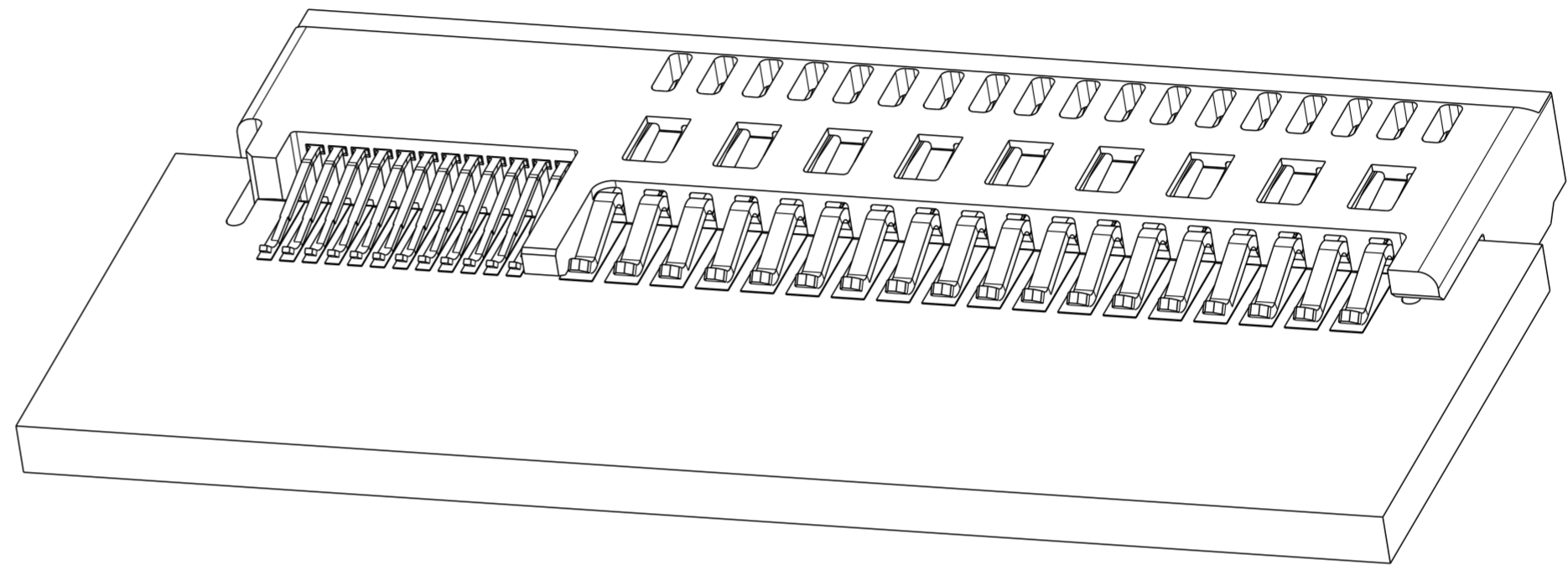


RECOMMENDED MATING BOARD EDGE CONNECTION TYPE

Copyright FCI. FCI

dr	Hung Ngo	2013/01/04	projection	MM	size	A2	scale	4:1		
eng	Zhao Peter	2013/04/10			ecn no	-	rel level	Released		
chr	-	-			product family	CARD EDGE				
appr	Collins Lu	2013/04/10			title	STRADDLE MT. 36P-24S		dwg no	10123923	
www.fci.com			cat. no.		-		Product - Customer Drw		rev	A

PART NUMBER	HOST BOARD THICKNESS	FRONT POLARIZATION KEY
10123923-001LF	3.01 ± 0.18	NO



NOTES:

1. CONNECTOR MATERIALS:  
     HOUSING: HIGH TEMPERATURE THERMAL PLASTIC, BLACK  
             UL 94V-0 COMPLIANT  
     CONTACTS: HIGH PERFORMANCE COPPER ALLOY.
2. CONTACT FINISH REF. GS-12-604 SECTION 5.2.
3. PRODUCT SPECIFICATION: GS-12-604.
4. APPLICATION SPECIFICATION: GS-20-128.
5. PRODUCT MARKING (FCI - PART NUMBER & DATE CODE) ON HOUSING IN AREA SHOWN.
6. PACKAGING MEETS FCI SPECIFICATION GS-14-937.
7. HOUSING COMPONENT WILL WITHSTAND EXPOSURE TO 260°C PEAK TEMPERATURE FOR 60 SECONDS IN A CONVECTION, INFRA-RED, OR VAPOR PHASE REFLOW OVEN.
8. HOST BOARD ALIGNMENT KEY IS RECOMMENDED TO ENSURE PROPER ALIGNMENT OF SOLDER TAILS WITH HOST BOARD PADS.

dr	Hung Ngo	2013/01/04	projection	MM	size	A2	scale	4:1
eng	Zhao Peter	2013/04/10			ecn no.	-		
chr	-	-			rel level	Released		
appr	Collins Lu	2013/04/10	product family	CARD EDGE	rel level	Released		
		<b>STRADDLE MT. 36P-24S</b> HPCE-MULTI-HOST-BOARD THICKNESS		dwg no. 10123923	rev A			
www.fci.com		cat. no.	-	Product - Customer Drw	sheet 4 of 4			