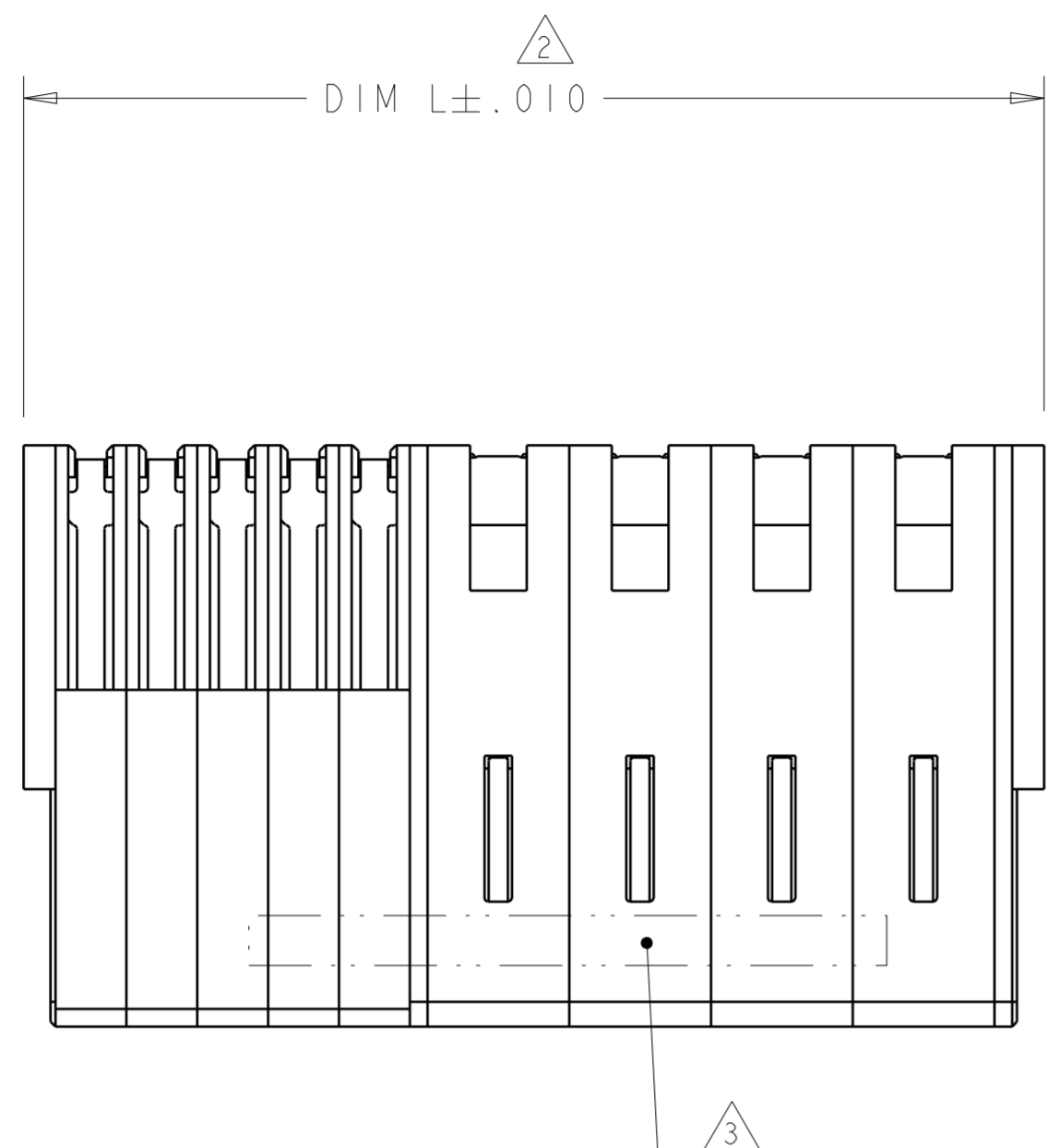
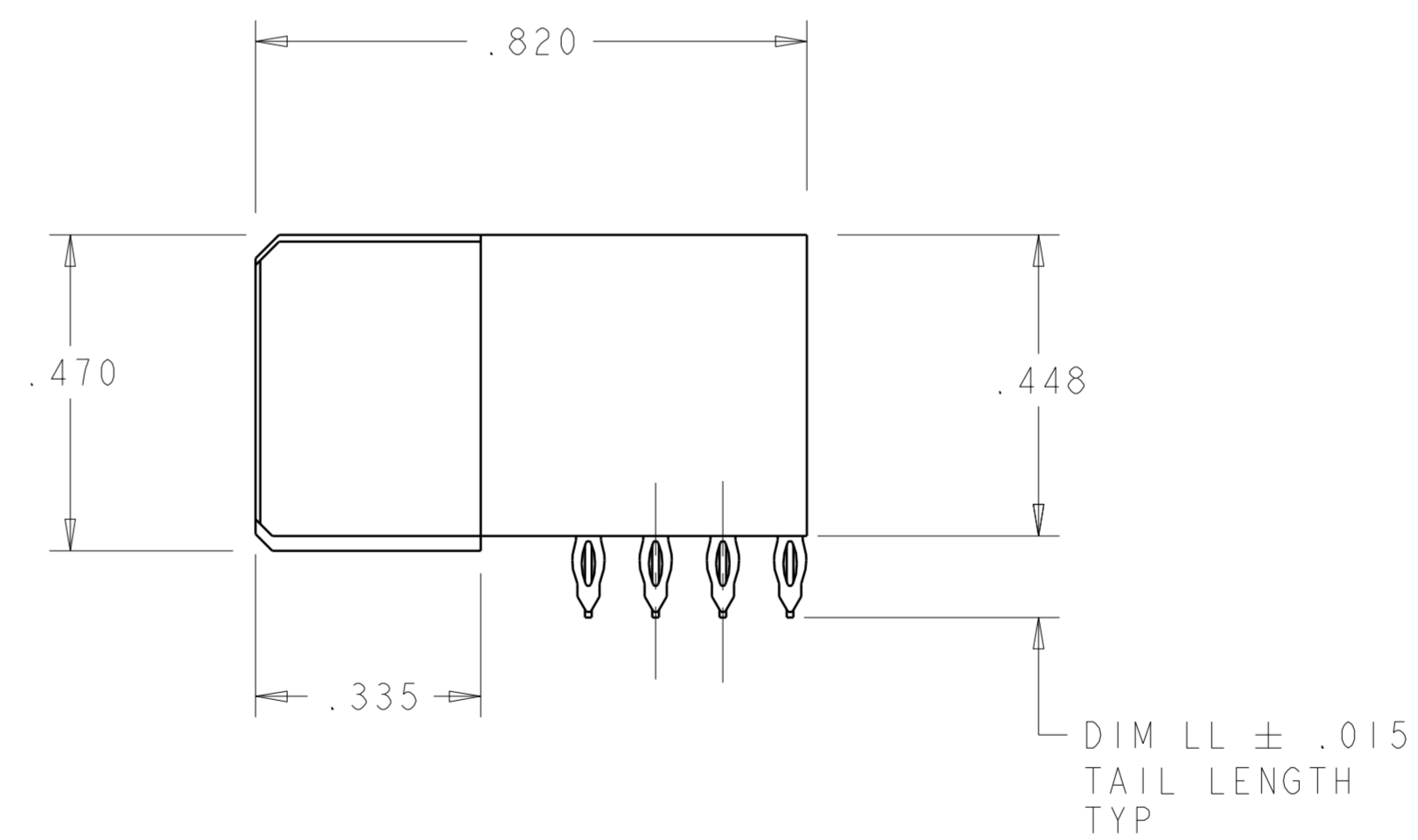
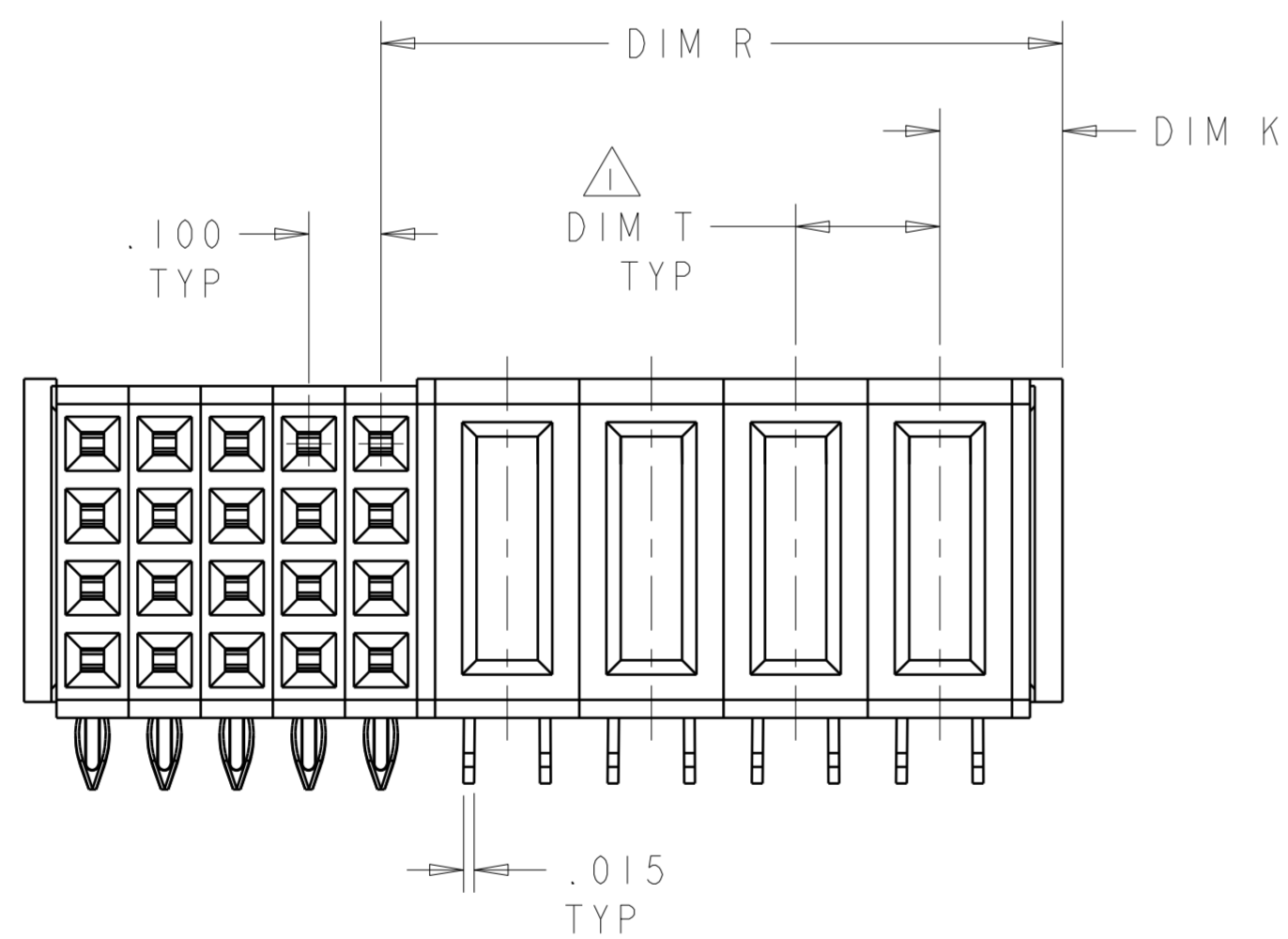


LOC	DIST	REVISIONS			
ES	00	REV	DATE	BY	APVD
		A	12OCT2006	DZ	SY



- △1 DIM T IS CENTERLINE SPACING OF POWER MODULES ON RIGHT SIDE OF HOUSING.
- △2 THE MAXIMUM OVERALL LENGTH OF A PART IS 8.00.
- △3 PART NUMBER, AND DATE CODE MARKED IN AREA SHOWN. MARKING ON BOTH SIDES PERMITTED FOR PARTS UNDER 2.00 LONG.
- △4 MATERIAL:  
HOUSING - GLASS FILLED HIGH TEMP THERMO PLASTIC, UL94 V-0  
SIGNAL CONTACT - HIGH CONDUCTIVITY COPPER ALLOY  
POWER CONTACT - HIGH CONDUCTIVITY COPPER-IRON ALLOY
- △5 CONTACT PLATING:  
SIGNAL CONTACTS - .000050 MIN Ni UNDER ALL.  
.000030 MIN Au ON CONTACT AREA.  
.000100 MIN Sn AT PCB INTERFACE.  
POWER CONTACTS - .000050 MIN Ni UNDER ALL.  
.000030 MIN Au ON CONTACT AREA.  
.000100 MIN Sn AT PCB INTERFACE.
- △6 MECHANICAL CONNECTOR KEEP OUT ZONE.
- △7 DATUM AND BASIC DIMENSIONS ESTABLISHED BY CUSTOMER.
- △8 PCB - ALL HOLE DIAMETERS ARE FINISHED HOLE SIZES.
- △9 PCB - .0453±.0010 DRILLED HOLES PLATED WITH .0003 MIN Sn OVER .001 TO .003 Cu PLATING TO ACHIEVE A .040 HOLE.
- △10 POWER CONTACT AREA LUBRICATED WITH LUBRICANT



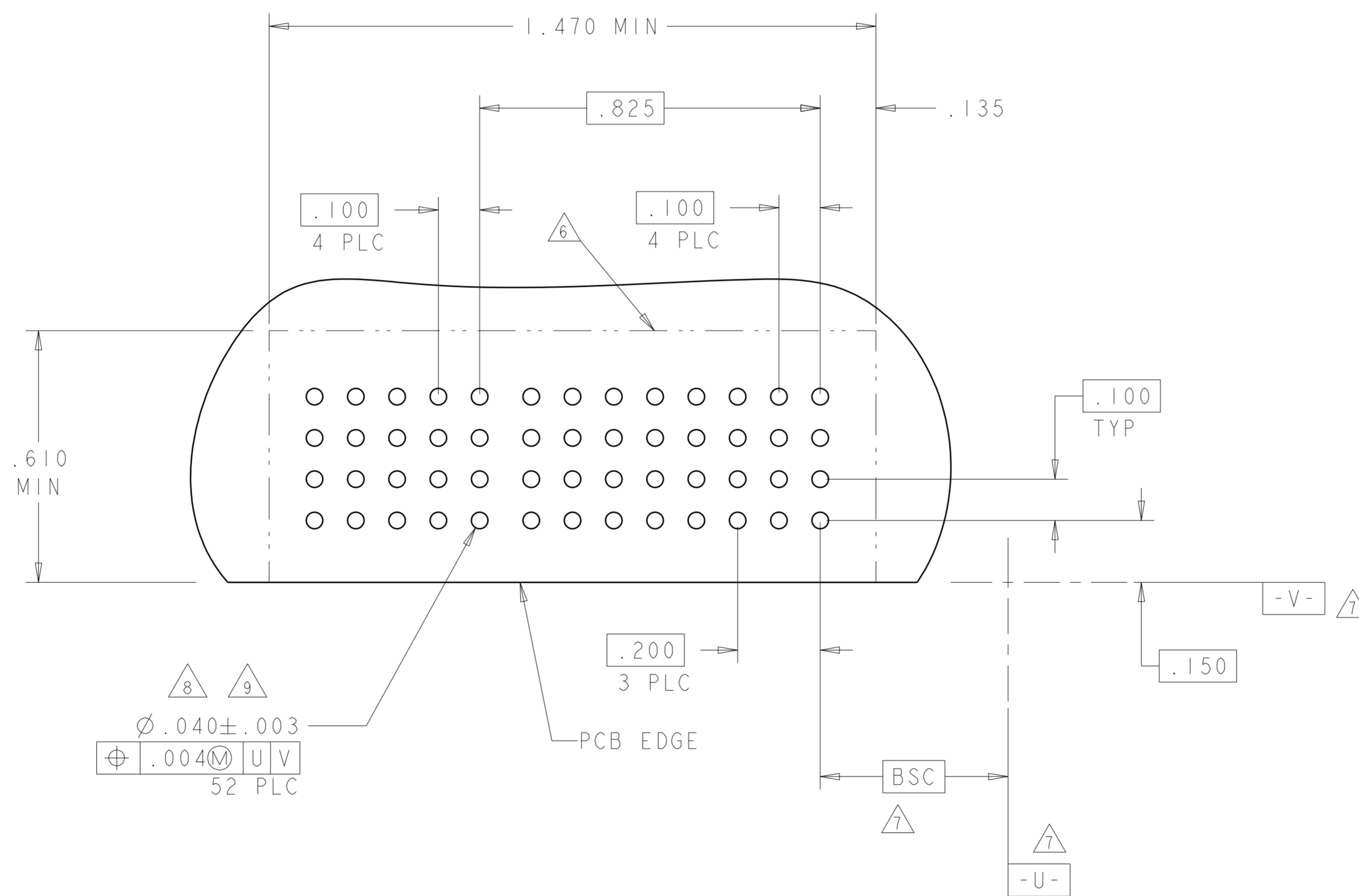
.945	.165	.200	.170	1.440	4HDP + 20S	1892536-1
DIM R	DIM LL	DIM T	DIM K	DIM L	DESCRIPTION	PART NUMBER

<small>THIS DRAWING IS A CONTROLLED DOCUMENT FOR TYCO ELECTRONICS CORPORATION. IT IS SUBJECT TO CHANGE AND THE CONTROLLING ENGINEERING DEPARTMENT SHOULD BE CONTACTED FOR THE LATEST REVISION.</small>		DWN: DENNY ZHU 12OCT2006 CHK: SUNY ZHAO 12OCT2006	<b>tyco</b> Tyco Electronics Shanghai, P.R. China, 200233
DIMENSIONS: INCHES 	TOLERANCES UNLESS OTHERWISE SPECIFIED: 0 PLC ±0 1 PLC ±0.1 2 PLC ±0.01 3 PLC ±0.005 4 PLC ±0.0005 ANGLES ±30°	NAME: SUNY ZHAO PRODUCT SPEC: 108-1973 APPLICATION SPEC: 114-13038	RIGHT ANGLE RECEPTACLE ASSEMBLY MULTI-BEAM XL, PWR-SIG, NO GUIDE PRESS FIT LEGS
MATERIAL: △4	FINISH: △5 △10	SIZE: A   00779   C=1892536 WEIGHT: -	RESTRICTED TO: - SCALE: 4:1   SHEET 1 OF 2   REV A

LOC	DIST	REVISIONS					
ES	00	PT	LTR	DESCRIPTION	DATE	DWN	APVD
				SEE SHEET 1			

PART NUMBER	ROWS	SIGNAL					POWER			
		5	4	3	2	1	P4	P3	P2	P1
1892536-1	D	DD	DD	DD	DD	DD				
	C	CC	CC	CC	CC	CC	RK	RK	RK	RK
	B	BB	BB	BB	BB	BB				
	A	AA	AA	AA	AA	AA				

4HDP + 20S



QTY	DESCRIPTION	IDENTIFIER
1	HOUSING, RIGHT ANGLE RECEPTACLE, MULTI-BEAM XL	HOUSING
5	RECEPT. SIGNAL CONTACT, EYE OF THE NEEDLE, ROW D	DD
5	RECEPT. SIGNAL CONTACT, EYE OF THE NEEDLE, ROW C	CC
5	RECEPT. SIGNAL CONTACT, EYE OF THE NEEDLE, ROW B	BB
5	RECEPT. SIGNAL CONTACT, EYE OF THE NEEDLE, ROW A	AA
4	RCPT POWER CONTACT, R/A, MFBL, MB XL, EYE OF THE NEEDLE	RK

DIMENSIONS:		TOLERANCES UNLESS OTHERWISE SPECIFIED:		DRAWING NO.	
INCHES		0 PLC	$\pm 0$	120CT2006	120CT2006
		1 PLC	$\pm 0.1$	DANNY ZHU	
		2 PLC	$\pm 0.01$	SUNY ZHAO	
		3 PLC	$\pm 0.005$	SUNY ZHAO	
		4 PLC	$\pm 0.0005$	SUNY ZHAO	
		ANGLES	$\pm 30'$	SUNY ZHAO	

NAME	DATE	SCALE	SHEET	OF	REV
DANNY ZHU	120CT2006	4:1	2	2	A

MATERIAL	FINISH	WEIGHT	RESTRICTED TO

PRODUCT SPEC	APPLICATION SPEC	SIZE	CADE CODE	DRAWING NO.	RESTRICTED TO
RIGHT ANGLE RECEPTACLE ASSEMBLY MULTI-BEAM XL, PWR-SIG, NO GUIDE PRESS FIT LEGS		A	00779	C=C-1892536	

CUSTOMER DRAWING