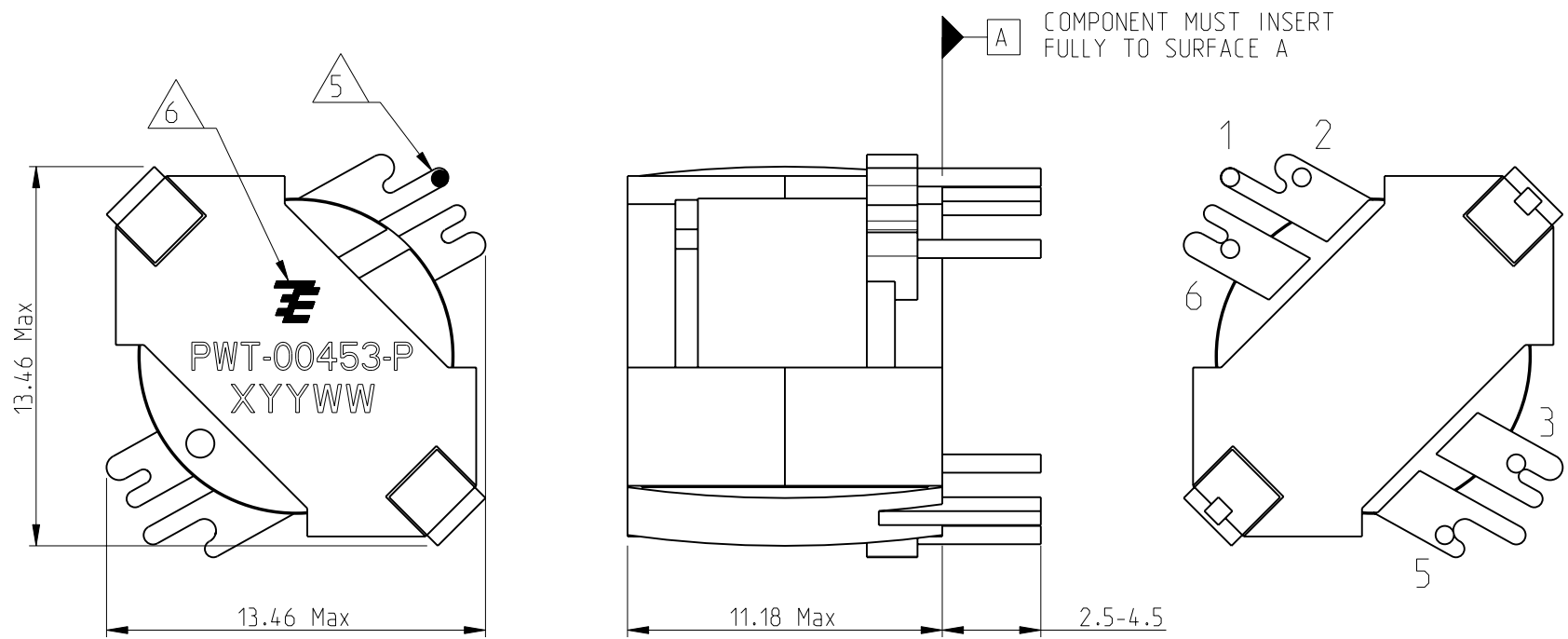


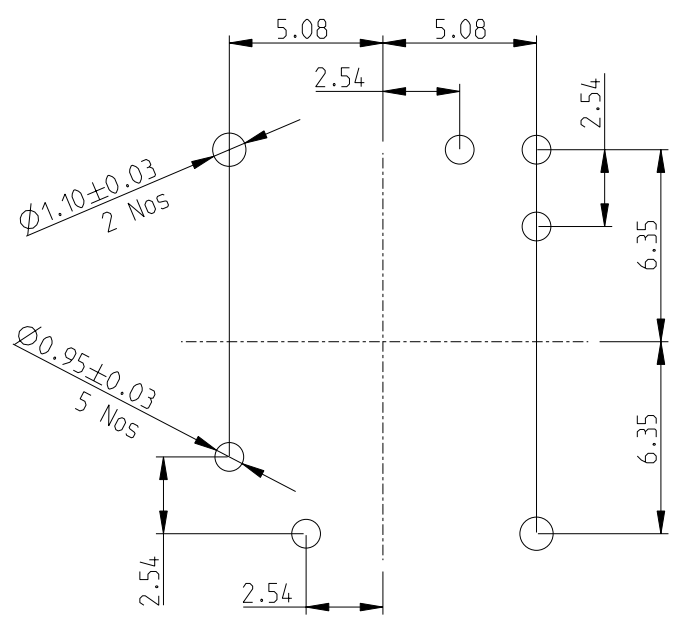
THIS DRAWING IS UNPUBLISHED. RELEASED FOR PUBLICATION 2009
 © COPYRIGHT 2009 BY TYCO ELECTRONICS CORPORATION. ALL RIGHTS RESERVED.

LOC	DIST	REVISIONS			
P	LTR	DESCRIPTION	DATE	DWN	APVD
E	B	BA	NEW RELEASE	05-JUN-09	SM St.P

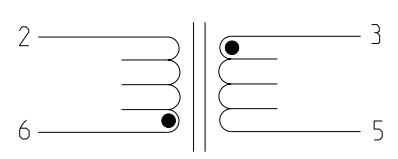


- NOTES:
- ELECTRICAL SPECIFICATIONS AT +20 °C UNLESS NOTED OTHERWISE
 INDUCTANCE (Pins 6-2): 55 μH ±10% @40kHz, 100mVAC, Ls
 D.C RESISTANCE (Pins 6-2): 0.18 Ohms Max.
 D.C RESISTANCE (Pins 3-5): 5.80 Ohms Max.
 TURN RATIO (Pins 3-5:6-2): 10:1 ±1%, 10kHz, 100mVAC
 DIELECTRIC: 500 VDC, 500 μA, 6-3, 1 SECOND TEST, 500 μA MAXIMUM LEAKAGE CURRENT
 OPERATING TEMP RANGE: -40°C TO +85°C
 - TE RESERVES THE RIGHT TO CHANGE THE SPECIFICATION WITHOUT NOTICE
 - TERMINAL PLATING IS HOT DIPPED SnAgCu OVER Ni
 - 265°C MAXIMUM REFLOW TEMPERATURE PER J-STD-020
 - △ POS-1 TERMINAL INDICATOR
 - △ EIA DATE AND LOT CODE

TERMINAL DIMENSIONS
 CUSTOMER TO DETERMINE
 PCB PAD DIMENSIONS



SCHEMATIC



RoHS Compliant

THIS DRAWING IS A CONTROLLED DOCUMENT FOR TYCO ELECTRONICS CORPORATION IT IS SUBJECT TO CHANGE AND THE CONTROLLING ENGINEERING ORGANIZATION SHOULD BE CONTACTED FOR THE LATEST REVISION.		DWN SUBHASH.M 05-JUN-09	Tyco Electronics Corporation Dorcan, Swindon, SN3 5HH	
DIMENSIONS: mm		CHK ALLAN PILE 05-JUN-09	NAME Xfmr RM5 TH, RoHS MGPWT-00178	
TOLERANCES UNLESS OTHERWISE SPECIFIED:		APVD STEPHEN.P 05-JUN-09	RESTRICTED TO -	
0 PLC ±0.5		PRODUCT SPEC -	SIZE A3	
1 PLC ±0.2		APPLICATION SPEC -	CAGE CODE 00779	DRAWING NO C=1879611
2 PLC ±0.1		WEIGHT -	SCALE 4:1	
3 PLC ±		SHEET 1 OF 1		
4 PLC ±		REV BA		
ANGLES ±5°		CUSTOMER DRAWING		
MATERIAL -		FINISH -		