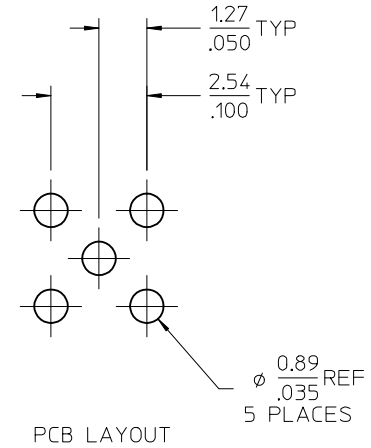
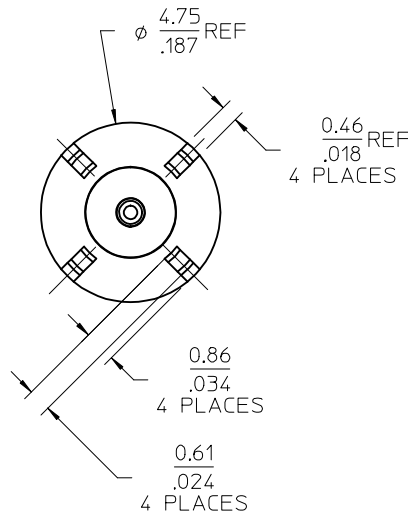
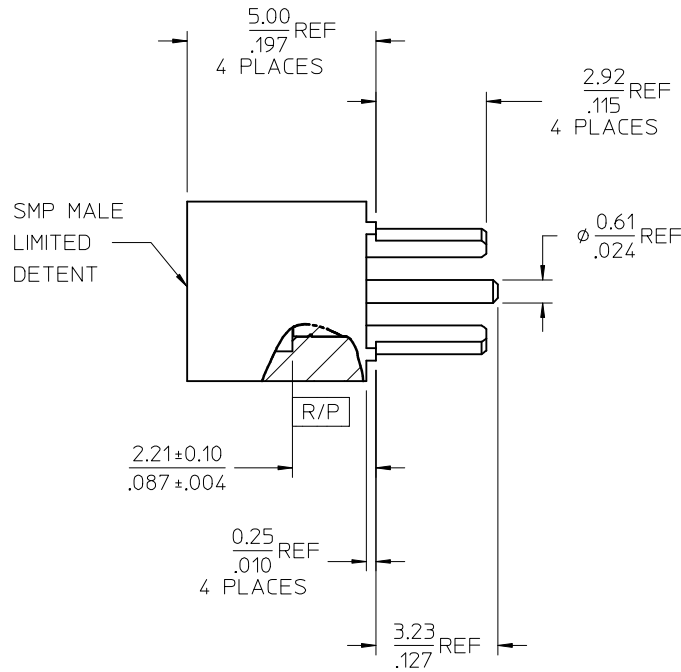
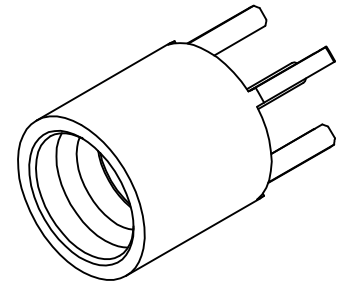


MATERIALS AND FINISHES:

BODY, CONTACT: BERYLLIUM COPPER
 PLATED: GOLD (50μ-in MIN)
 OVER NICKEL (100μ-in MIN)

INSULATOR: PTFE



PART # 73415-6990

PS-89675-3320	PRODUCT SPECIFICATION
MIL-STD-348B, FIG. 326.3	INTERFACE SMP LD
SPECIFICATION	DESCRIPTION

CHG: ADD TOLERANCE TO DIM 2.21/.087 IN E12 ZONE
 UPD MATERIALS AND FINISHES NOTE.
 EC NO: URF2017-0417
 DRW:APRASHO1 2017/06/13
 CHKD:BBB 2017/06/13
 APPR:AROBERTSON 2017/06/28

REV	DESCRIPTION
C1	

QUALITY SYMBOLS	GENERAL TOLERANCES (UNLESS SPECIFIED)
▽=0	4 PLACES ± --- ± ---
▽=0	3 PLACES ± --- ± .010
▽=0	2 PLACES ± 0.25 ± ---
	1 PLACE ± --- ± ---
	0 PLACE ± --- ± ---
	ANGULAR ± 2 °
	DRAFT WHERE APPLICABLE MUST REMAIN WITHIN DIMENSIONS

DIMENSION STYLE	
MM/IN	
DRAWN BY	DATE
AZR	2008/03/03
CHECKED BY	DATE
SSS	2008/03/03
APPROVED BY	DATE
JDW	2008/03/03
MATERIAL NO.	
734156990	
SIZE	
C	

SCALE	DESIGN UNITS	THIRD ANGLE PROJECTION
	METRIC	
TITLE		
SMP MALE LIMITED DETENT VERTICAL PCB THRU SMP-P/PCB, EWR-3568		
molex		
MATERIAL NO.	DOCUMENT NO.	SHEET NO.
734156990	SD-73415-699	1 OF 1
THIS DRAWING CONTAINS INFORMATION THAT IS PROPRIETARY TO MOLEX INCORPORATED AND SHOULD NOT BE USED WITHOUT WRITTEN PERMISSION		