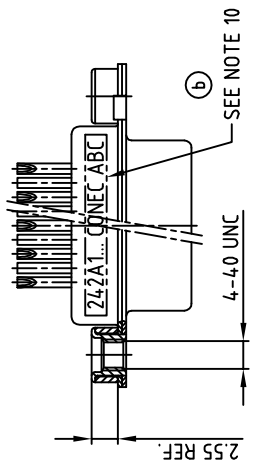
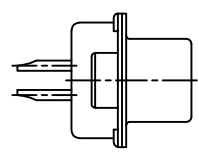
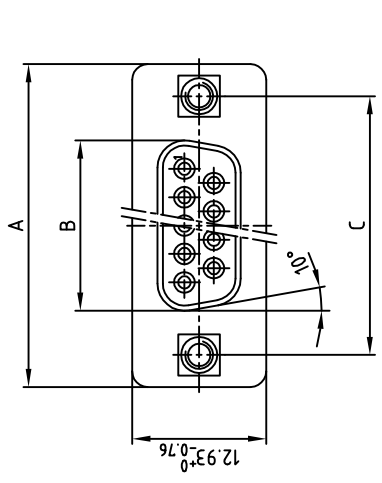
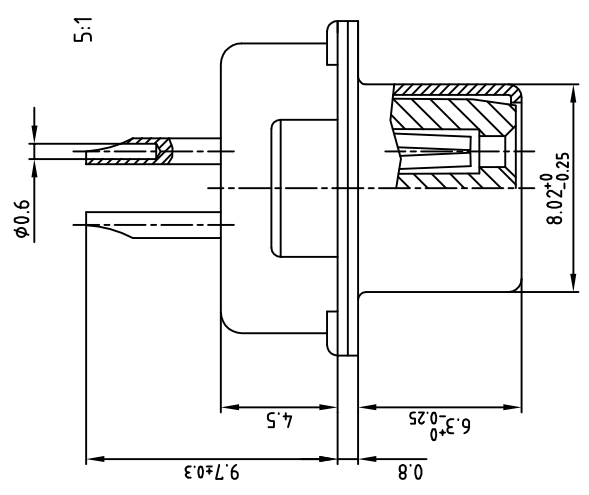


used for: D-SUB Filter



NOTES:

1. METALSHELLS: STEEL; min. 315µin TIN over 4.0-80µin NICKEL
2. INSULATORS: PBT GF UL 94 V-0, BLACK
3. CONTACTS: COPPER ALLOY
4. PLATING: min. 8µin HARD GOLD over min. 50µin NICKEL
5. SOLDER CUP ACCEPTS CABLE AWG 26
6. THREADED INSERT: COPPER ALLOY; min. 200µin TIN over 80µin NICKEL
7. COLLAR: COPPER ALLOY; min. 200µin TIN over 80µin NICKEL
8. CAPACITANCE: SEE TABLE
9. MAXIMUM TORQUE VALUE FOR THREAD: 6in.LB
10. CONNECTOR IS PART MARKED: [PART-NO., CONEC ABC]



tolerance		scale: 2:1	
material:		material: SEE NOTES	
title:		D-SUB FILTER FEMALE	
name:		SOLDER CUP 9-37pos.	
date:		with threaded insert	
drawn:		AutocAD 2000	
appd.:		DIN 41652	
norm:		DIN-A	
e-sold:		3	
rev. description:		sh: 1/1	
date:		10.02.2009	
name:		Sonne	
a		Origin	
b		Ä3284	
c		2 x b	
d		2 x b	

THIS DRAWING MAY NOT BE COPIED OR REPRODUCED IN ANY WAY, AND MAY NOT BE PASSED ON TO A THIRD PARTY WITHOUT WRITTEN PERMISSION. OWNERSHIP AND COPYRIGHT OF CONEC GMBH DO NOT ALTER CAD DRAWING BY HAND

No. of pos.	A -0.76	B -0.25	C
9	31.19	16.46	25.00 +0.12 -0.13
15	39.52	24.79	33.30 +0.15 -0.1
25	53.42	38.50	47.04 +0.13
37	69.70	54.96	63.50 +0.13

Capacitance	9	15	25	37
180pF ±20%	242A15960X	242A15970X	242A15980X	242A15990X
370pF ±20%	242A11730X	242A11740X	242A11750X	242A11760X
830pF ±20%	242A11810X	242A11820X	242A11830X	242A11840X
1300pF ±20%	242A11770X	242A11780X	242A11790X	242A11800X



part no: SEE TABLE