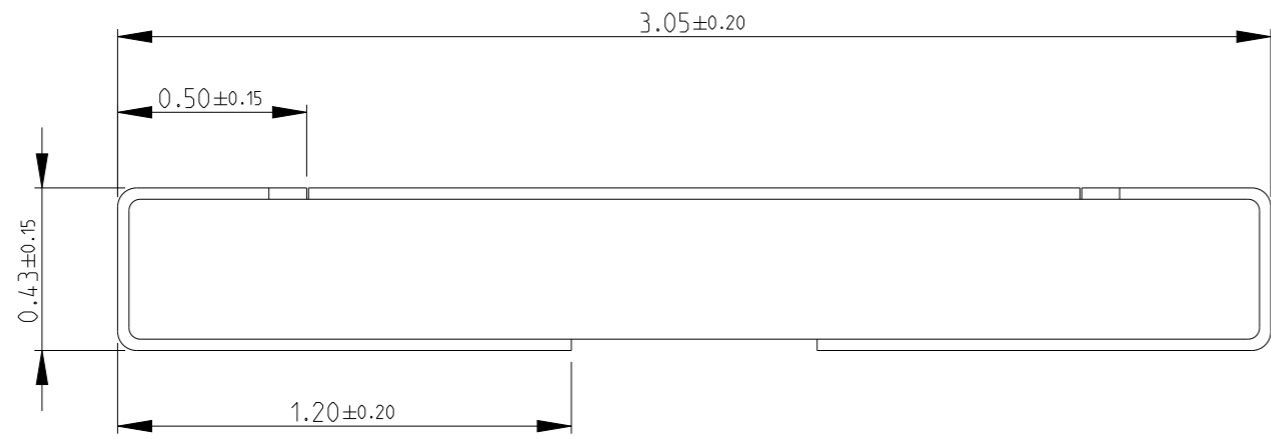
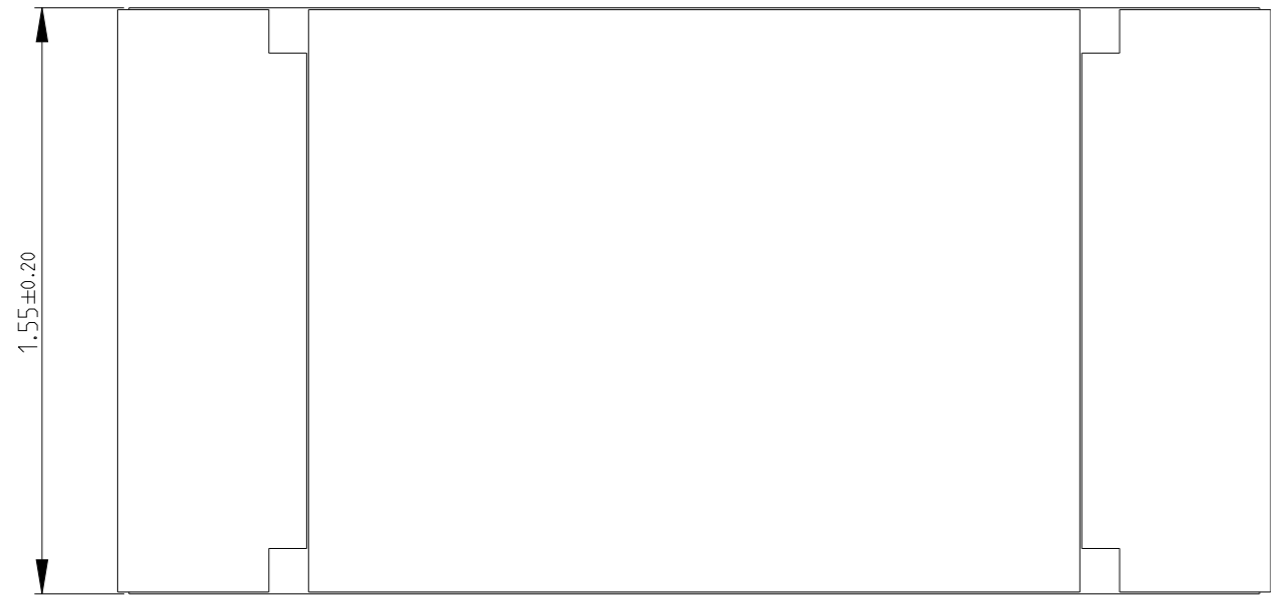


REVISIONS

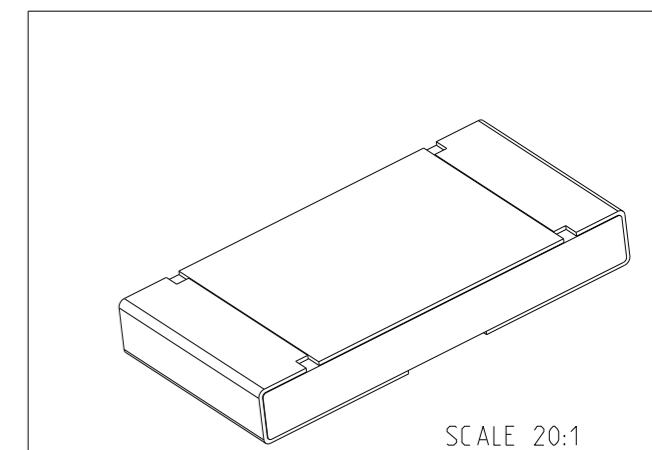
P	LTR	DESCRIPTION	DATE	DWN	APVD
	A	NEW DRAWING	01JUL2022	KS	AP

NOTES:

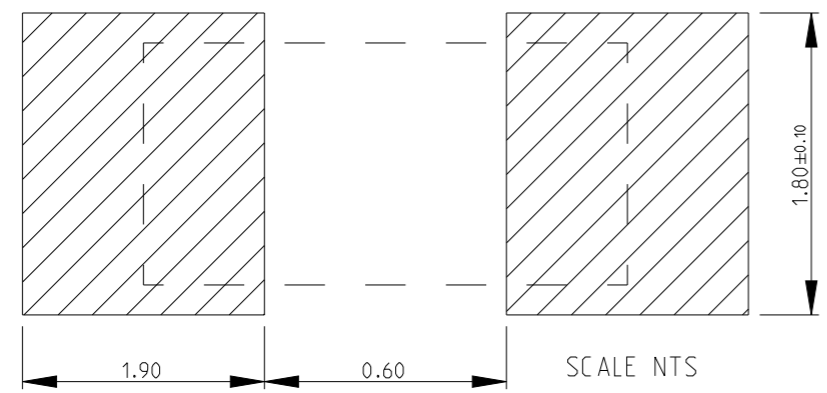
1. PCB WITH A COPPER THICKNESS OF TWO OUNCES SHOULD BE USED.
2. FOR FURTHER INFORMATION SEE DATA SHEET FOR 3503 SERIES ALUMINIUM NITRIDE THIN FILM POWER RESISTORS.



RoHS Compliant



RECOMMENDED LAND PATTERN




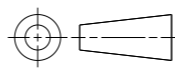
THIS DRAWING IS A CONTROLLED DOCUMENT.		DWN KARTHIK. S 01JUL2022	 TE Connectivity <b>ALUMINIUM NITRIDE THIN FILM POWER RESISTOR TYPE 3503 SERIES</b>				
DIMENSIONS: mm		CHK ALLAN. P 01JUL2022				NAME	RESTRICTED TO
TOLERANCES UNLESS OTHERWISE SPECIFIED:		APVD ALLAN. P 01JUL2022				SIZE	CAGE CODE
0 PLC $\pm 0.5$ 1 PLC $\pm 0.2$ 2 PLC $\pm 0.1$ 3 PLC $\pm$ 4 PLC $\pm$ ANGLES $\pm 5^\circ$		PRODUCT SPEC				DRAWING NO	REV
MATERIAL		APPLICATION SPEC	WEIGHT	SCALE	SHEET		
-		-	-	A3 00779	1 OF 3		
-		FINISH	C=2176524	50:1	REV A		
-		CUSTOMER DRAWING					

REVISIONS

P	LTR	DESCRIPTION	DATE	DWN	APVD
	-	SEE SHEET 1	-	-	-

SCHEDULE			
TCPN	CATALOGUE NUMBER	PART DESCRIPTION	PART STATUS
2176524-1	3503G2B549RFTDF	3503G 2B 549R 1% 1K RL	PRODUCTION
2176524-2	3503G2B562RFTDF	3503G 2B 562R 1% 1K RL	PRODUCTION
2176524-3	3503G2B576RFTDF	3503G 2B 576R 1% 1K RL	PRODUCTION
2176524-4	3503G2B590RFTDF	3503G 2B 590R 1% 1K RL	PRODUCTION
2176524-5	3503G2B604RFTDF	3503G 2B 604R 1% 1K RL	PRODUCTION
2176524-6	3503G2B619RFTDF	3503G 2B 619R 1% 1K RL	PRODUCTION
2176524-7	3503G2B634RFTDF	3503G 2B 634R 1% 1K RL	PRODUCTION
2176524-8	3503G2B649RFTDF	3503G 2B 649R 1% 1K RL	PRODUCTION
2176524-9	3503G2B665RFTDF	3503G 2B 665R 1% 1K RL	PRODUCTION
1-2176524-0	3503G2B681RFTDF	3503G 2B 681R 1% 1K RL	PRODUCTION
1-2176524-1	3503G2B698RFTDF	3503G 2B 698R 1% 1K RL	PRODUCTION
1-2176524-2	3503G2B715RFTDF	3503G 2B 715R 1% 1K RL	PRODUCTION
1-2176524-3	3503G2B732RFTDF	3503G 2B 732R 1% 1K RL	PRODUCTION
1-2176524-4	3503G2B750RFTDF	3503G 2B 750R 1% 1K RL	PRODUCTION
1-2176524-5	3503G2B768RFTDF	3503G 2B 768R 1% 1K RL	PRODUCTION
1-2176524-6	3503G2B787RFTDF	3503G 2B 787R 1% 1K RL	PRODUCTION
1-2176524-7	3503G2B806RFTDF	3503G 2B 806R 1% 1K RL	PRODUCTION
1-2176524-8	3503G2B825RFTDF	3503G 2B 825R 1% 1K RL	PRODUCTION
1-2176524-9	3503G2B845RFTDF	3503G 2B 845R 1% 1K RL	PRODUCTION
2-2176524-0	3503G2B866RFTDF	3503G 2B 866R 1% 1K RL	PRODUCTION
2-2176524-1	3503G2B887RFTDF	3503G 2B 887R 1% 1K RL	PRODUCTION
2-2176524-2	3503G2B909RFTDF	3503G 2B 909R 1% 1K RL	PRODUCTION
2-2176524-3	3503G2B931RFTDF	3503G 2B 931R 1% 1K RL	PRODUCTION
2-2176524-4	3503G2B953RFTDF	3503G 2B 953R 1% 1K RL	PRODUCTION
2-2176524-5	3503G2B976RFTDF	3503G 2B 976R 1% 1K RL	PRODUCTION
2-2176524-6	3503G2B1K0FTDF	3503G 2B 1K0 1% 1K RL	PRODUCTION
2-2176524-7	3503G2B1K02FTDF	3503G 2B 1K02 1% 1K RL	PRODUCTION
2-2176524-8	3503G2B1K05FTDF	3503G 2B 1K05 1% 1K RL	PRODUCTION
2-2176524-9	3503G2B1K07FTDF	3503G 2B 1K07 1% 1K RL	PRODUCTION
3-2176524-0	3503G2B1K1FTDF	3503G 2B 1K1 1% 1K RL	PRODUCTION

SCHEDULE			
TCPN	CATALOGUE NUMBER	PART DESCRIPTION	PART STATUS
3-2176524-1	3503G2B1K13FTDF	3503G 2B 1K13 1% 1K RL	PRODUCTION
3-2176524-2	3503G2B1K15FTDF	3503G 2B 1K15 1% 1K RL	PRODUCTION
3-2176524-3	3503G2B1K18FTDF	3503G 2B 1K18 1% 1K RL	PRODUCTION
3-2176524-4	3503G2B1K21FTDF	3503G 2B 1K21 1% 1K RL	PRODUCTION
3-2176524-5	3503G2B1K24FTDF	3503G 2B 1K24 1% 1K RL	PRODUCTION
3-2176524-6	3503G2B1K27FTDF	3503G 2B 1K27 1% 1K RL	PRODUCTION
3-2176524-7	3503G2B1K3FTDF	3503G 2B 1K3 1% 1K RL	PRODUCTION
3-2176524-8	3503G2B1K33FTDF	3503G 2B 1K33 1% 1K RL	PRODUCTION
3-2176524-9	3503G2B1K37FTDF	3503G 2B 1K37 1% 1K RL	PRODUCTION
4-2176524-0	3503G2B1K4FTDF	3503G 2B 1K4 1% 1K RL	PRODUCTION
4-2176524-1	3503G2B1K43FTDF	3503G 2B 1K43 1% 1K RL	PRODUCTION
4-2176524-2	3503G2B1K47FTDF	3503G 2B 1K47 1% 1K RL	PRODUCTION
4-2176524-3	3503G2B1K5FTDF	3503G 2B 1K5 1% 1K RL	PRODUCTION
4-2176524-4	3503G2B1K54FTDF	3503G 2B 1K54 1% 1K RL	PRODUCTION
4-2176524-5	3503G2B1K58FTDF	3503G 2B 1K58 1% 1K RL	PRODUCTION
4-2176524-6	3503G2B1K62FTDF	3503G 2B 1K62 1% 1K RL	PRODUCTION
4-2176524-7	3503G2B1K65FTDF	3503G 2B 1K65 1% 1K RL	PRODUCTION
4-2176524-8	3503G2B1K69FTDF	3503G 2B 1K69 1% 1K RL	PRODUCTION
4-2176524-9	3503G2B1K74FTDF	3503G 2B 1K74 1% 1K RL	PRODUCTION
5-2176524-0	3503G2B1K78FTDF	3503G 2B 1K78 1% 1K RL	PRODUCTION
5-2176524-1	3503G2B1K82FTDF	3503G 2B 1K82 1% 1K RL	PRODUCTION
5-2176524-2	3503G2B1K87FTDF	3503G 2B 1K87 1% 1K RL	PRODUCTION
5-2176524-3	3503G2B1K91FTDF	3503G 2B 1K91 1% 1K RL	PRODUCTION
5-2176524-4	3503G2B1K96FTDF	3503G 2B 1K96 1% 1K RL	PRODUCTION
5-2176524-5	3503G2B2K0FTDF	3503G 2B 2K0 1% 1K RL	PRODUCTION
5-2176524-6	3503G2B2K05FTDF	3503G 2B 2K05 1% 1K RL	PRODUCTION
5-2176524-7	3503G2B2K1FTDF	3503G 2B 2K1 1% 1K RL	PRODUCTION
5-2176524-8	3503G2B2K15FTDF	3503G 2B 2K15 1% 1K RL	PRODUCTION
5-2176524-9	3503G2B2K21FTDF	3503G 2B 2K21 1% 1K RL	PRODUCTION
6-2176524-0	3503G2B2K26FTDF	3503G 2B 2K26 1% 1K RL	PRODUCTION

THIS DRAWING IS A CONTROLLED DOCUMENT.		DWN KARTHIK. S 01JUL2022	 TE Connectivity NAME ALUMINIUM NITRIDE THIN FILM POWER RESISTOR TYPE 3503 SERIES	
DIMENSIONS: mm		CHK ALLAN. P 01JUL2022		
		APVD ALLAN. P 01JUL2022		
TOLERANCES UNLESS OTHERWISE SPECIFIED:		PRODUCT SPEC	SIZE	
0 PLC ±0.5		-	CAGE CODE	
1 PLC ±0.2		APPLICATION SPEC	DRAWING NO	
2 PLC ±0.1		-	RESTRICTED TO	
3 PLC ±		WEIGHT	-	
4 PLC ±		CUSTOMER DRAWING	A3 00779 ©=2176524	
ANGLES ±°		SCALE	50:1	
FINISH		SHEET	2 OF 3	
-		REV	A	
-				

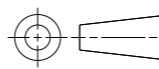
REVISIONS

P	LTR	DESCRIPTION	DATE	DWN	APVD
-	-	SEE SHEET 1	-	-	-

SCHEDULE

TCPN	CATALOGUE NUMBER	PART DESCRIPTION	PART STATUS
6-2176524-1	3503G2B2K32FTDF	3503G 2B 2K32 1% 1K RL	PRODUCTION
6-2176524-2	3503G2B2K37FTDF	3503G 2B 2K37 1% 1K RL	PRODUCTION
6-2176524-3	3503G2B2K43FTDF	3503G 2B 2K43 1% 1K RL	PRODUCTION
6-2176524-4	3503G2B2K49FTDF	3503G 2B 2K49 1% 1K RL	PRODUCTION
6-2176524-5	3503G2B2K55FTDF	3503G 2B 2K55 1% 1K RL	PRODUCTION
6-2176524-6	3503G2B2K61FTDF	3503G 2B 2K61 1% 1K RL	PRODUCTION
6-2176524-7	3503G2B2K67FTDF	3503G 2B 2K67 1% 1K RL	PRODUCTION
6-2176524-8	3503G2B2K74FTDF	3503G 2B 2K74 1% 1K RL	PRODUCTION
6-2176524-9	3503G2B2K8FTDF	3503G 2B 2K8 1% 1K RL	PRODUCTION
7-2176524-0	3503G2B2K87FTDF	3503G 2B 2K87 1% 1K RL	PRODUCTION
7-2176524-1	3503G2B2K94FTDF	3503G 2B 2K94 1% 1K RL	PRODUCTION
7-2176524-2	3503G2B3K01FTDF	3503G 2B 3K01 1% 1K RL	PRODUCTION
7-2176524-3	3503G2B3K09FTDF	3503G 2B 3K09 1% 1K RL	PRODUCTION
7-2176524-4	3503G2B3K16FTDF	3503G 2B 3K16 1% 1K RL	PRODUCTION
7-2176524-5	3503G2B3K24FTDF	3503G 2B 3K24 1% 1K RL	PRODUCTION
7-2176524-6	3503G2B3K32FTDF	3503G 2B 3K32 1% 1K RL	PRODUCTION
7-2176524-7	3503G2B3K4FTDF	3503G 2B 3K4 1% 1K RL	PRODUCTION
7-2176524-8	3503G2B3K48FTDF	3503G 2B 3K48 1% 1K RL	PRODUCTION
7-2176524-9	3503G2B3K57FTDF	3503G 2B 3K57 1% 1K RL	PRODUCTION
8-2176524-0	3503G2B3K65FTDF	3503G 2B 3K65 1% 1K RL	PRODUCTION
8-2176524-1	3503G2B3K74FTDF	3503G 2B 3K74 1% 1K RL	PRODUCTION
8-2176524-2	3503G2B3K83FTDF	3503G 2B 3K83 1% 1K RL	PRODUCTION
8-2176524-3	3503G2B3K92FTDF	3503G 2B 3K92 1% 1K RL	PRODUCTION
8-2176524-4	3503G2B4K02FTDF	3503G 2B 4K02 1% 1K RL	PRODUCTION
8-2176524-5	3503G2B4K12FTDF	3503G 2B 4K12 1% 1K RL	PRODUCTION
8-2176524-6	3503G2B4K22FTDF	3503G 2B 4K22 1% 1K RL	PRODUCTION
8-2176524-7	3503G2B4K32FTDF	3503G 2B 4K32 1% 1K RL	PRODUCTION
8-2176524-8	3503G2B4K42FTDF	3503G 2B 4K42 1% 1K RL	PRODUCTION
8-2176524-9	3503G2B4K53FTDF	3503G 2B 4K53 1% 1K RL	PRODUCTION
9-2176524-0	3503G2B4K64FTDF	3503G 2B 4K64 1% 1K RL	PRODUCTION
9-2176524-1	3503G2B4K75FTDF	3503G 2B 4K75 1% 1K RL	PRODUCTION
9-2176524-2	3503G2B4K87FTDF	3503G 2B 4K87 1% 1K RL	PRODUCTION
9-2176524-3	3503G2B4K99FTDF	3503G 2B 4K99 1% 1K RL	PRODUCTION
9-2176524-4	3503G2B5K11FTDF	3503G 2B 5K11 1% 1K RL	PRODUCTION
9-2176524-5	3503G2B5K23FTDF	3503G 2B 5K23 1% 1K RL	PRODUCTION
9-2176524-6	3503G2B5K36FTDF	3503G 2B 5K36 1% 1K RL	PRODUCTION
9-2176524-7	3503G2B5K49FTDF	3503G 2B 5K49 1% 1K RL	PRODUCTION
9-2176524-8	3503G2B5K62FTDF	3503G 2B 5K62 1% 1K RL	PRODUCTION
9-2176524-9	3503G2B5K76FTDF	3503G 2B 5K76 1% 1K RL	PRODUCTION

THIS DRAWING IS A CONTROLLED DOCUMENT.

DIMENSIONS: mm		TOLERANCES UNLESS OTHERWISE SPECIFIED:	
		0 PLC	±0.5
		1 PLC	±0.2
		2 PLC	±0.1
		3 PLC	±
		4 PLC	±
MATERIAL		FINISH	ANGLES ±5°
-		-	-

DWN	KARTHIK. S	01JUL2022
CHK	ALLAN. P	01JUL2022
APVD	ALLAN. P	01JUL2022
PRODUCT SPEC	-	
APPLICATION SPEC	-	
WEIGHT	-	
CUSTOMER DRAWING		



TE Connectivity

NAME  
ALUMINIUM NITRIDE THIN FILM POWER RESISTOR TYPE 3503 SERIES

SIZE	CAGE CODE	DRAWING NO	RESTRICTED TO
A3	00779	©=2176524	-

SCALE 50:1 SHEET 3 OF 3 REV A