

MATERIALS AND FINISHES

BODY FRONT, CAP, JAM NUT: BRASS  
PLATED NICKEL

BODY REAR: BRASS  
PLATED TIN

CONTACT: BRASS  
PLATED GOLD

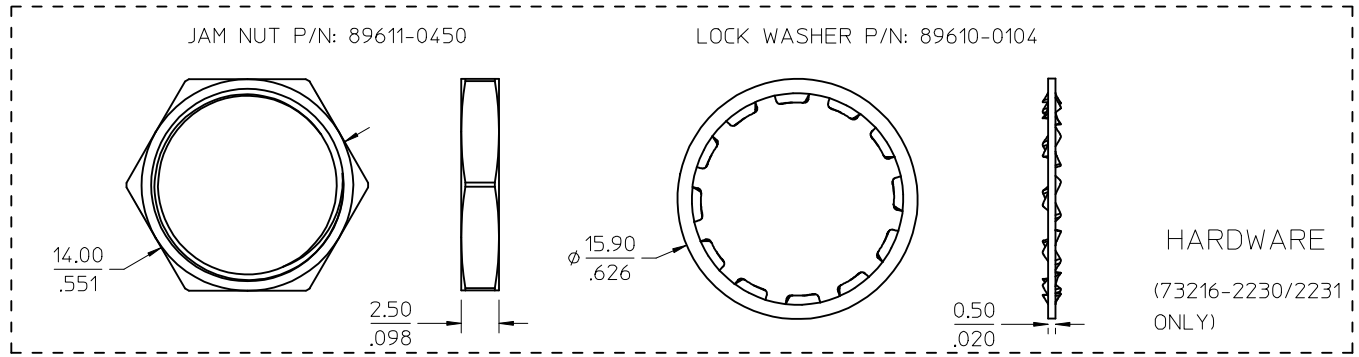
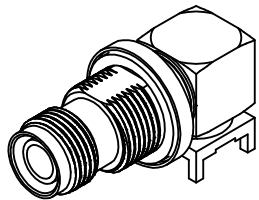
INSULATOR: TEFLON

GASKET: SILICONE RUBBER

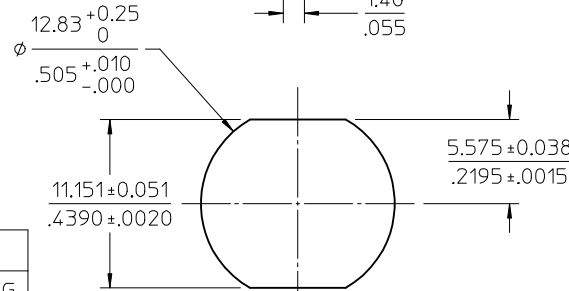
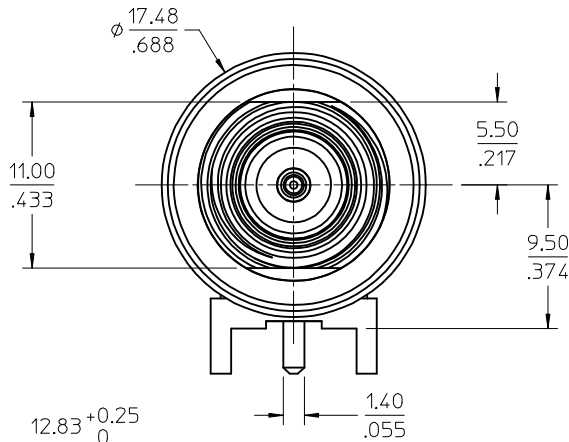
LOCK WASHER: PHOSPHOR BRONZE  
PLATED NICKEL

ELECTRICAL PERFORMANCE:

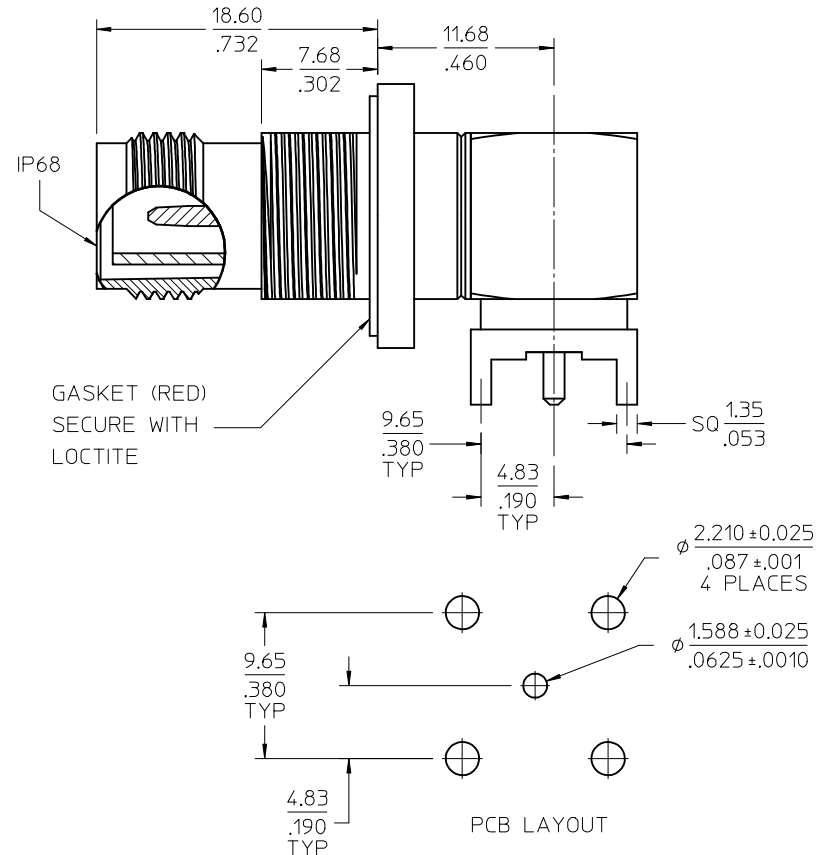
1.30 VSWR MAX THROUGH 6 GHz  
0.25 dB MAX INSERTION LOSS THRU 6 GHz



HARDWARE  
(73216-2230/2231  
ONLY)



PANEL CUT-OUT  
MAX THICKNESS  
4.571.180



PCB LAYOUT

73216-2232	TRAY	N/A
73216-2231	ONE PER BAG	LOOSE IN BAG
73216-2230	TRAY	BULK
PART NO.	PACKAGING	HARDWARE
		PACKAGING

73216-2232	TRAY	N/A
73216-2231	ONE PER BAG	LOOSE IN BAG
73216-2230	TRAY	BULK
PART NO.	PACKAGING	HARDWARE
		PACKAGING

CHG: ADDED -2232,  
ADDED PN FOR NUT  
& WASHER  
PER RF16-E096  
EC NO: URF2016-0867  
DRAWN: WE102 2016/06/24  
CHKD:  
APPR: YCHENG 2016/07/04

QUALITY SYMBOLS  
▽=0  
▽=0

GENERAL TOLERANCES (UNLESS SPECIFIED)

	mm	INCH
4 PLACES ±	---	± ---
3 PLACES ±	---	± ---
2 PLACES ±	---	± ---
1 PLACE ±	---	± ---

ANGULAR ± 2°

DRAFT WHERE APPLICABLE  
MUST REMAIN  
WITHIN DIMENSIONS

DIMENSION STYLE  
MM/IN

DRAWN BY DATE  
AZR 2009/07/23

CHECKED BY DATE  
SSS 2009/07/23

APPROVED BY DATE  
JWIENER 2010/04/22

MATERIAL NO.  
SEE TABLE

SIZE  
C

SCALE  
DESIGN UNITS  
METRIC

THIRD ANGLE PROJECTION

TITLE  
TNC JACK REV POL  
RA BLKHD IP68 PCB TH  
TNC-J/PCB, EWR-4150

MOLEX MOLEX INCORPORATED

DOCUMENT NO.  
SD-73216-223

SHEET NO.  
1 OF 1

THIS DRAWING CONTAINS INFORMATION THAT IS PROPRIETARY TO MOLEX INCORPORATED AND SHOULD NOT BE USED WITHOUT WRITTEN PERMISSION

MATERIALS AND FINISHES

BODY FRONT, CAP, JAM NUT: BRASS  
PLATED NICKEL

BODY REAR: BRASS  
PLATED TIN

CONTACT: BRASS  
PLATED GOLD

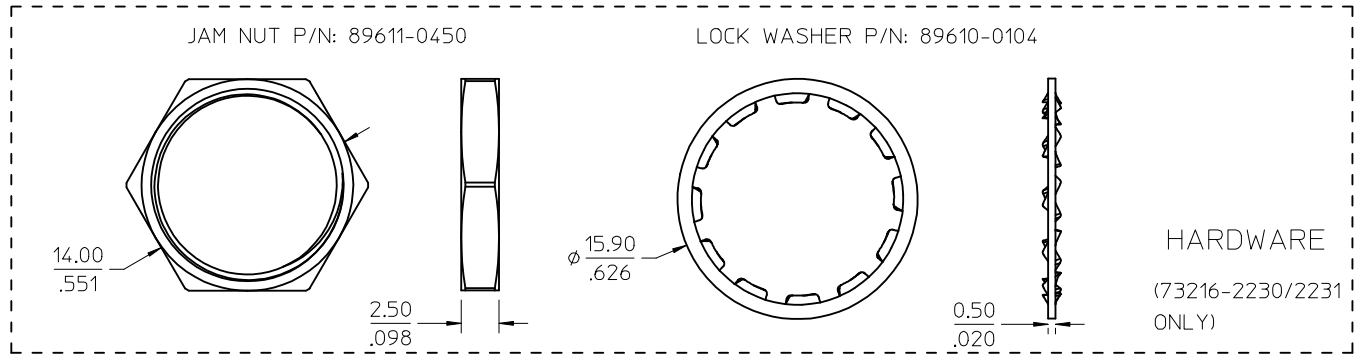
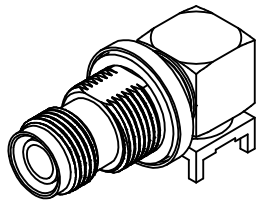
INSULATOR: TEFLON

GASKET: SILICONE RUBBER

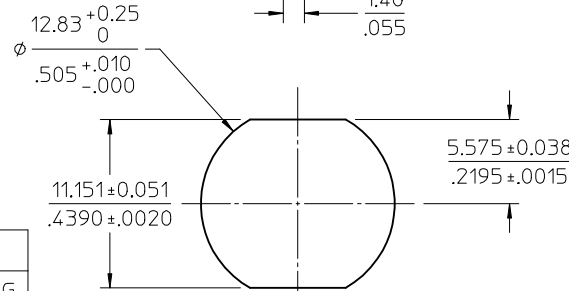
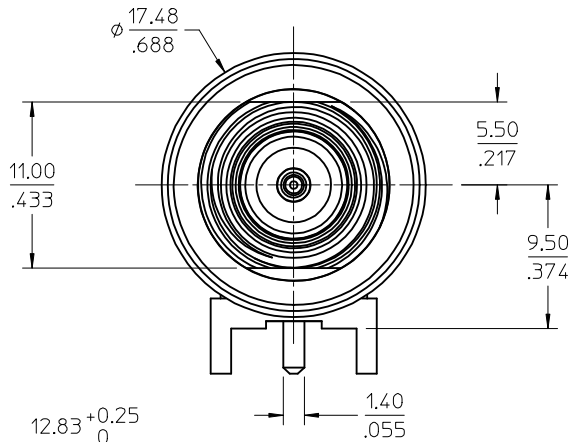
LOCK WASHER: PHOSPHOR BRONZE  
PLATED NICKEL

ELECTRICAL PERFORMANCE:

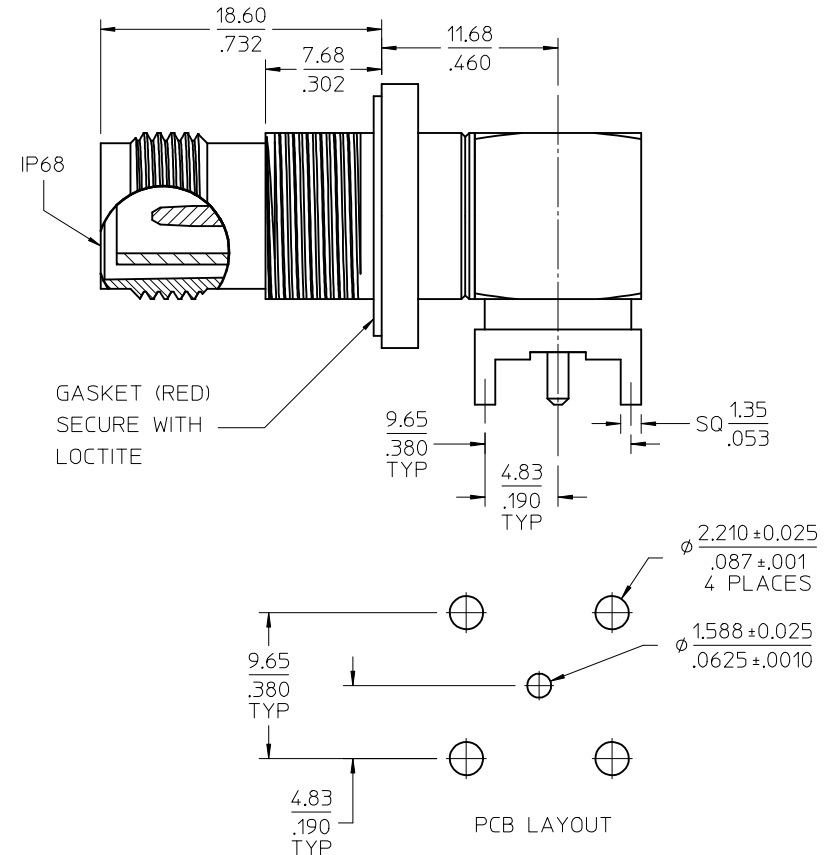
1.30 VSWR MAX THROUGH 6 GHz  
0.25 dB MAX INSERTION LOSS THRU 6 GHz



HARDWARE  
(73216-2230/2231  
ONLY)



PANEL CUT-OUT  
MAX THICKNESS  
4.571.180



GASKET (RED)  
SECURE WITH  
LOCTITE

PCB LAYOUT

73216-2232	TRAY	N/A
73216-2231	ONE PER BAG	LOOSE IN BAG
73216-2230	TRAY	BULK
PART NO.	PACKAGING	HARDWARE
		PACKAGING

CHG: ADDED -2232, ADDED PN FOR NUT & WASHER PER RF16-E096	EC NO: URF2016-0867	2016/06/24
	DRW: WME102	2016/06/24
CHKD:	APPR: YCHENG	2016/07/04
REV: B4	DESCRIPTION	

QUALITY SYMBOLS	▽=0
	▽=0

GENERAL TOLERANCES (UNLESS SPECIFIED)	mm	INCH
4 PLACES ±	---	± ---
3 PLACES ±	---	± ---
2 PLACES ±	---	± ---
1 PLACE ±	---	± ---
ANGULAR ± 2°		
DRAFT WHERE APPLICABLE MUST REMAIN WITHIN DIMENSIONS		

DIMENSION STYLE		SCALE	DESIGN UNITS	THIRD ANGLE PROJECTION
MM/IN			METRIC	
DRAWN BY	DATE	TITLE		
AZR	2009/07/23	TNC JACK REV POL		
CHECKED BY	DATE	RA BLKHD IP68 PCB TH		
SSS	2009/07/23	TNC-J/PCB, EWR-4150		
APPROVED BY	DATE	MOLEX INCORPORATED		
JWIENER	2010/04/22	MATERIAL NO. SEE TABLE		
DOCUMENT NO.		SD-73216-223		
SHEET NO.		1 OF 1		

THIS DRAWING CONTAINS INFORMATION THAT IS PROPRIETARY TO MOLEX INCORPORATED AND SHOULD NOT BE USED WITHOUT WRITTEN PERMISSION			
---	--	--	--