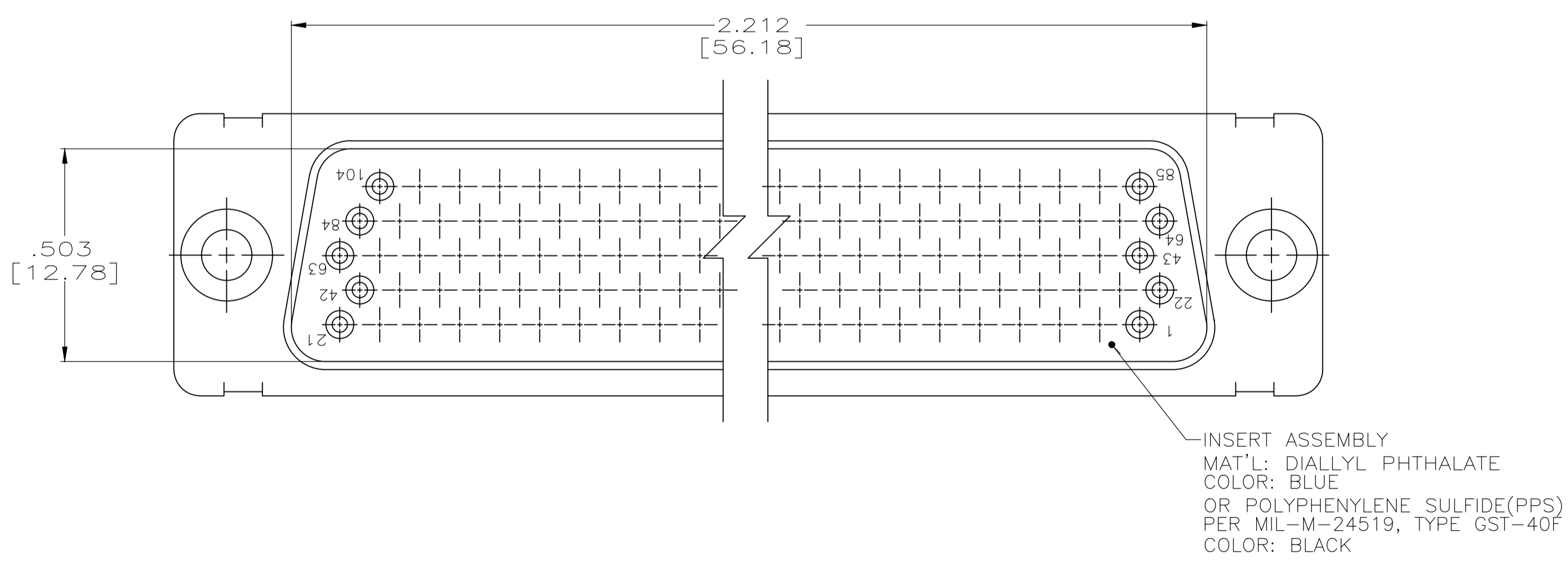
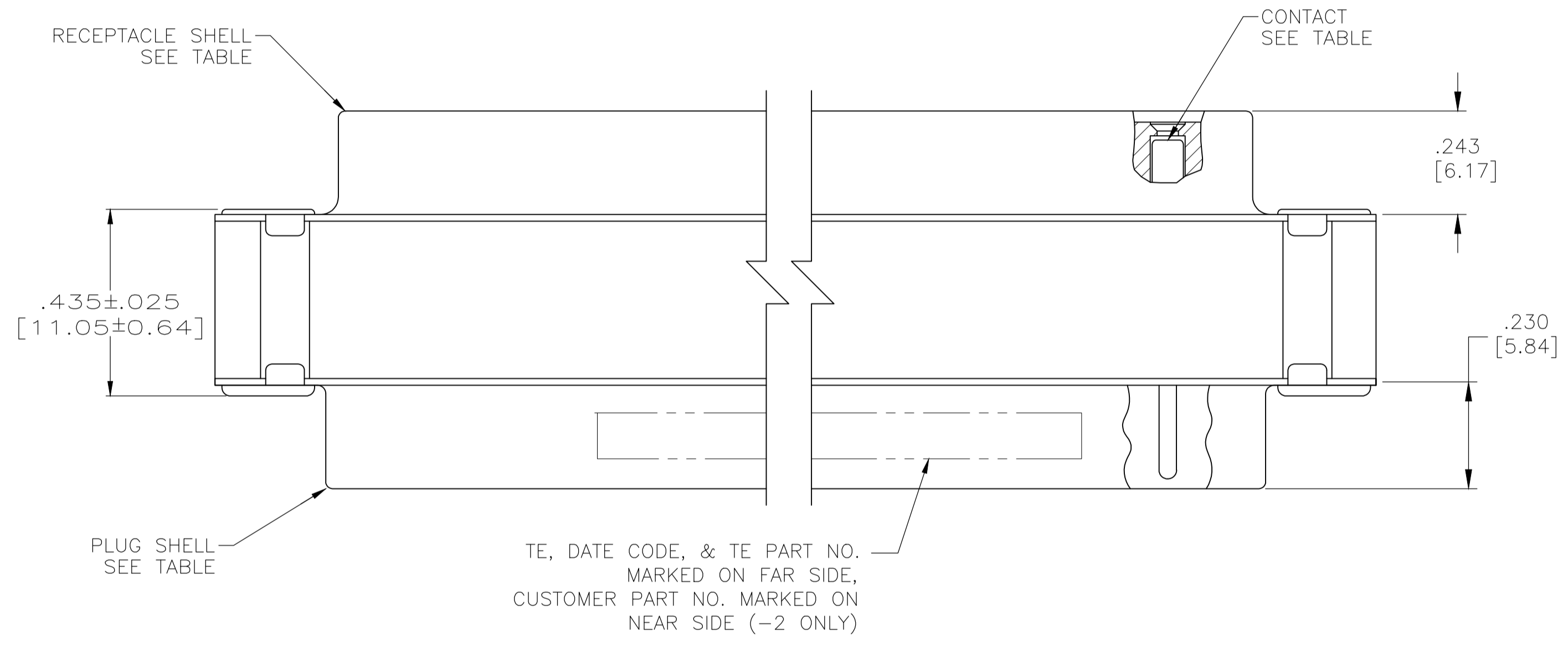
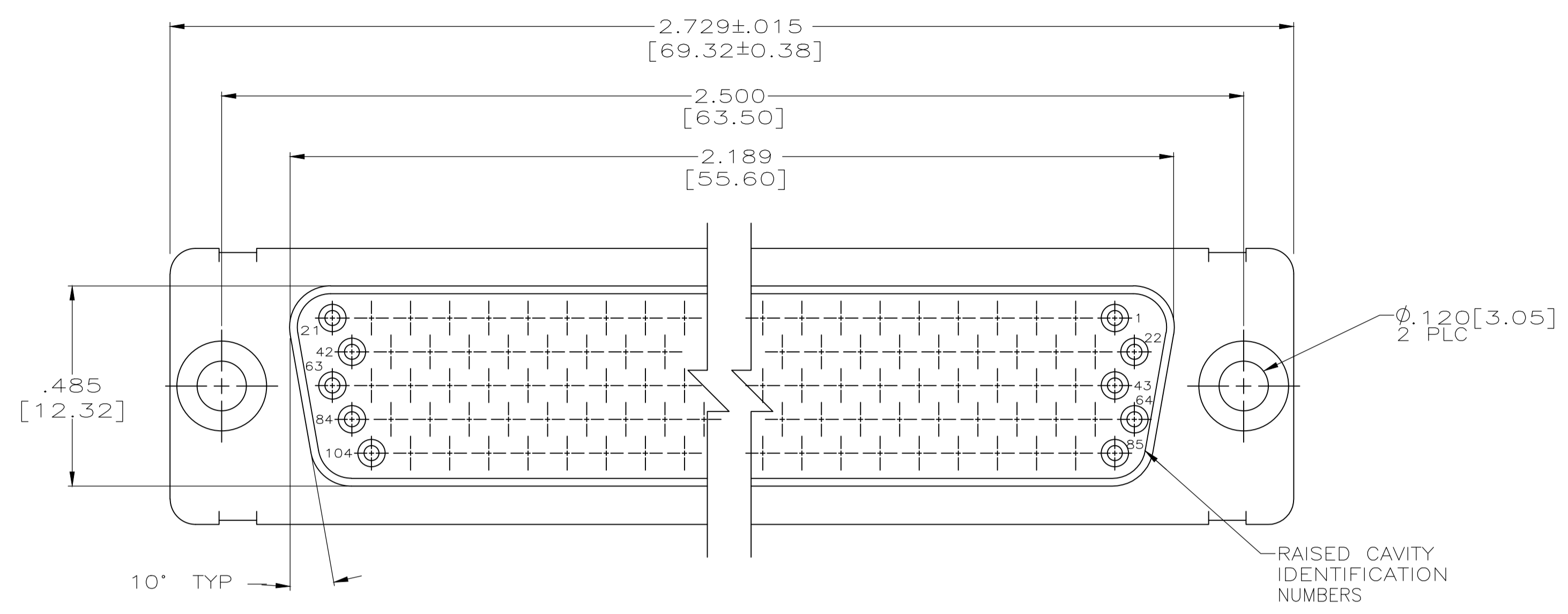
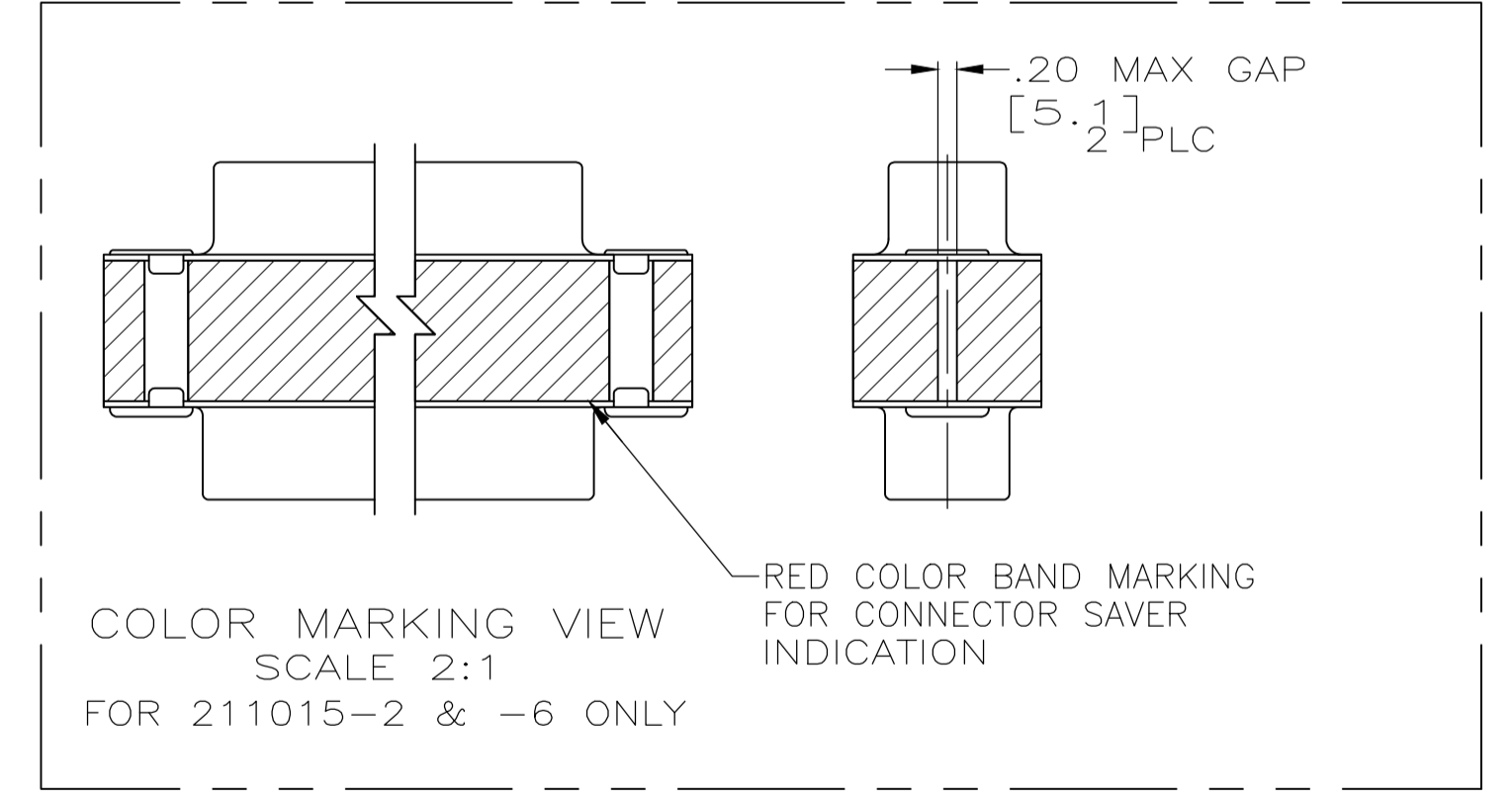
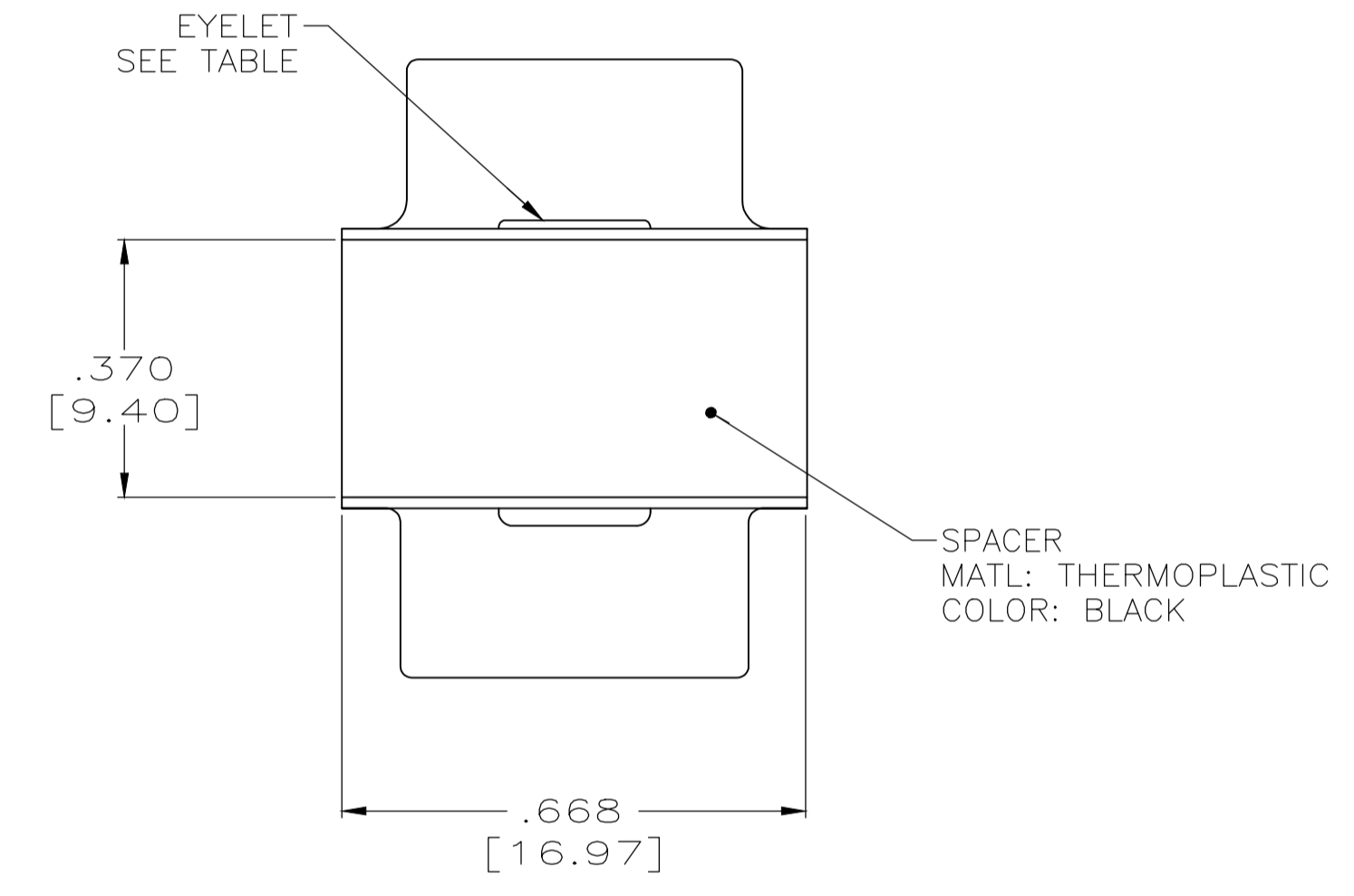


REVISIONS					
P	LTR	DESCRIPTION	DATE	DMN	APVD
Y	REV PER ECO	19-019228	4-17-20	CT	DM



- 1. CONTACTS INCLUDED IN ASSEMBLY.
- △ MATL: STEEL, PER ASTM-A-109.
- △ FINISH: CADMIUM PER QQ-P-416.
- △ MATL: BRASS PER ASTM-B-36.
- △ FINISH: PLATED ZINC .00020 MIN THK PER ASTM-B-633. YELLOW CHROMATE FINISH.
- △ CONTACT
- BODY MAT'L: BERYLLIUM COPPER PER ASTM-B-197.
- BODY FINISH: PLATED GOLD, .000050 MIN THK PER MIL-G-45204 OVER NICKEL, .000050 MIN THK PER QQ-N-290.
- HOOD MAT'L: STAINLESS STEEL PER ASTM-A-240.
- HOOD FINISH: PASSIVATED PER QQ-P-35
- △ FINISH: PLATED GOLD, .000050 MIN THK PER MIL-G-45204 OVER COPPER FLASH
- △ FINISH: PLATED GOLD, .000050 MIN THK PER MIL-G-45204 OVER COPPER, .000100 MIN THK PER MIL-C-14550.
- △ CONTACT
- BODY MAT'L: BERYLLIUM COPPER PER ASTM-B-197.
- BODY FINISH: PLATED GOLD, .000050 MIN THK PER MIL-G-45204 OVER COPPER, .000100 MIN THK PER MIL-C-14550.
- HOOD MAT'L: COPPER ALLOY PER QQ-B-613.
- FINISH: PLATED GOLD, .000050 MIN THK PER MIL-G-45204 OVER COPPER, .000100 MIN THK PER MIL-C-14550.



△ △	△ △	△	4U884 SOCN R10002677-0111	211015-6
△ △	△ △	△	2A091-006W-001	211015-5
△ △	△ △	△	-	211015-4
△ △	△ △	△	-	211015-3
△ △	△ △	△	(1J02-111)	211015-2
△ △	△ △	△	-	211015-1
EYELET	SHELLS	CONTACT	CUSTOMER P/N	PART NO.

THIS DRAWING IS A CONTROLLED DOCUMENT.		DMN C.C.THOMAS 11-3-98	TE Connectivity	
DIMENSIONS:	TOLERANCES UNLESS OTHERWISE SPECIFIED:	CHK J.NORTON 11-17-98	NAME CONNECTOR SAVER,AMPLIMITE 104 POSN.,SIZE 6,SERIES 90	
INCHES	0 PLC ± - 1 PLC ± - 2 PLC ± - 3 PLC ± .005 [0.13] 4 PLC ± - ANGLES ± -	APVD J.NORTON 11-17-98	PRODUCT SPEC	
MATERIAL	FINISH	APPLICATION SPEC	SIZE A1	CAGE CODE 00779
-	-	WEIGHT 0.000000	DRAWING NO. 211015	RESTRICTED TO
CUSTOMER DRAWING		SCALE 4:1	SHEET 1 of 1	REV Y