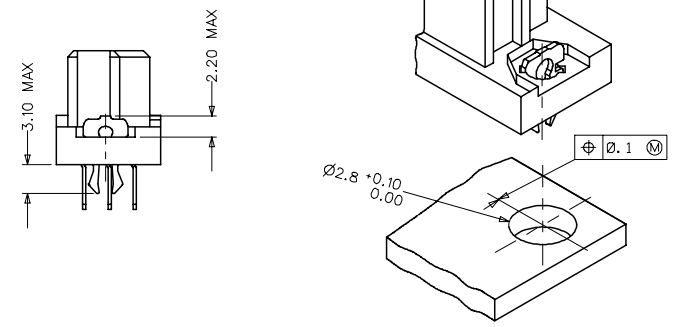
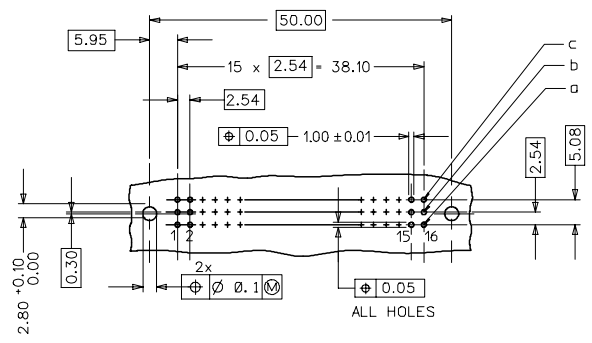


WITH MOUNTING CLIPS



RECOMMENDED PCB LAYOUT  
COMPONENT SIDE



- NOTES:
- MATERIALS: THERMOPLASTIC POLYESTER, GLASS FILLED, UL94V-0. COLOUR: PEBBLE GREY RAL 7032  
TERMINAL - PHOSPHOR BRONZE  
MOUNTING CLIP: STEEL
  - FINISH: TERMINAL:-  
CONTACT AREA
    - PERFORMANCE LEVEL 1: SELECTIVE GOLD (Au), THICKNESS = 1.1 MICROMETER OVER NICKEL, THICKNESS = 1.5 MICROMETER
    - PERFORMANCE LEVEL 2: SELECTIVE GOLD (Au), THICKNESS = 0.6 MICROMETER OVER NICKEL, THICKNESS = 1.5 MICROMETER
    - PERFORMANCE LEVEL 3: SELECTIVE GOLD (Au), THICKNESS = 0.3 MICROMETER OVER NICKEL, THICKNESS = 1.5 MICROMETER
 TERMINATION AREA:  
SELECTIVE TIN, THICKNESS = 5 MICROMETER  
OVER NICKEL, THICKNESS = 1.5 MICROMETER OVERALL
  - MOUNTING CLIP:-  
TIN (Sn), THICKNESS = 5-10 MICROMETER,  
OVER NICKEL (Ni), THICKNESS = 2.5 MICROMETER
  - FOR NON MOUNTING CLIP OPTION, CONNECTOR TO BE SECURED WITH RIVETS: 2 TUBULAR RIVETS 2.5 x 0.3 ... DIN 7340  
SCREWS: 2 CHEESEHEAD SCREWS M2.5 x ... DIN 84 AND 2 HEXAGONAL NUTS M2.5 DIN 934
  - MATERIAL No, BATCH CODE, UL AND CSA MARKING TO BE PRINTED ON THE CONNECTOR.
  - CUT FACES OF TIP WITHOUT PLATING PERMITTED.
  - PRODUCT SPECIFICATION PS-36500-001

RoHS COMPLIANT

<b>ENTER DESCRIPTION</b> ELC INC 12007 0044 2006/10/10 DRWNGSATTI/MARAD 2006/10/11 CHKD/SSUDHIR 2006/10/10 APPR/SSUDHIR 2006/10/10	<b>QUALITY SYMBOLS</b> ▽=0 ▽=0	<b>GENERAL TOLERANCES (UNLESS SPECIFIED)</b>		<b>DIMENSION STYLE</b> MM ONLY		SCALE 2:1	DESIGN UNITS METRIC	THIRD ANGLE PROJECTION	
		4 PLACES ± --- ± --- 3 PLACES ± 0.005 ± --- 2 PLACES ± 0.1 ± --- 1 PLACE ± 0.15 ± ---	INCH ± --- ± --- ± ---	DRAWN BY SHANKAR	DATE 2006/04/25	TITLE ASSY DIN41612 C/2 FEMALE 48 POS 1.0MM PCB DIA	MOLEX INCORPORATED		
<b>DRAFT WHERE APPLICABLE MUST REMAIN WITHIN DIMENSIONS</b>	SEE SHEET 2	MATERIAL NO. SD-36501-0001		DOCUMENT NO.		SHEET NO. 1 OF 2		THIS DRAWING CONTAINS INFORMATION THAT IS PROPRIETARY TO MOLEX INCORPORATED AND SHOULD NOT BE USED WITHOUT WRITTEN PERMISSION	

	20	19	18	17	16	15	14	13	12	11	10	9	8	7	6	5	4	3	2	1
	MATERIAL No	MOLEX ENG No	PERF LEVEL	PLATING	CONTACT SEQUENCE/ROW	DIM "L" mm	MOUNTING CLIP	FLUX PROOF												
	36501-0001	MM-B2401-C480	1	Au+Ni	1.2.3....16 a+b+c	2.9	NO	NO												
	36501-0002	MM-B2501-C480	2	Au+Ni	1.2.3....16 a+b+c	2.9	NO	NO												
	36501-0003	MM-B2601-C480	3	Au+Ni	1.2.3....16 a+b+c	2.9	NO	NO												
L	36501-0007	MM-B2401-C410	1	Au+Ni	1.2.3....16 a+b+c	2.9	YES	NO												
	36501-0008	MM-B2501-C410	2	Au+Ni	1.2.3....16 a+b+c	2.9	YES	NO												
	36501-0009	MM-B2601-C410	3	Au+Ni	1.2.3....16 a+b+c	2.9	YES	NO												
	36501-0013	MM-B2401-C480-133	1	Au+Ni	1.2.3....16 a+b+c	2.9	NO	YES												
	36501-0014	MM-B2501-C480-133	2	Au+Ni	1.2.3....16 a+b+c	2.9	NO	YES												
K	36501-0015	MM-B2601-C480-133	3	Au+Ni	1.2.3....16 a+b+c	2.9	NO	YES												
	36501-0019	MM-B2401-C410-133	1	Au+Ni	1.2.3....16 a+b+c	2.9	YES	YES												
	36501-0020	MM-B2501-C410-133	2	Au+Ni	1.2.3....16 a+b+c	2.9	YES	YES												
	36501-0021	MM-B2601-C410-133	3	Au+Ni	1.2.3....16 a+b+c	2.9	YES	YES												
J	36501-0025	MM-B2402-C480	1	Au+Ni	1.2.3....16 a+b+c	4.5	NO	NO												
	36501-0026	MM-B2502-C480	2	Au+Ni	1.2.3....16 a+b+c	4.5	NO	NO												
	36501-0027	MM-B2602-C480	3	Au+Ni	1.2.3....16 a+b+c	4.5	NO	NO												
	36501-0031	MM-B2402-C410	1	Au+Ni	1.2.3....16 a+b+c	4.5	YES	NO												
	36501-0032	MM-B2502-C410	2	Au+Ni	1.2.3....16 a+b+c	4.5	YES	NO												
I	36501-0033	MM-B2602-C410	3	Au+Ni	1.2.3....16 a+b+c	4.5	YES	NO												
	36501-0037	MM-B2402-C480-133	1	Au+Ni	1.2.3....16 a+b+c	4.5	NO	YES												
	36501-0038	MM-B2502-C480-133	2	Au+Ni	1.2.3....16 a+b+c	4.5	NO	YES												
	36501-0039	MM-B2602-C480-133	3	Au+Ni	1.2.3....16 a+b+c	4.5	NO	YES												
H	36501-0043	MM-B2402-C410-133	1	Au+Ni	1.2.3....16 a+b+c	4.5	YES	YES												
	36501-0044	MM-B2502-C410-133	2	Au+Ni	1.2.3....16 a+b+c	4.5	YES	YES												
	36501-0045	MM-B2602-C410-133	3	Au+Ni	1.2.3....16 a+b+c	4.5	YES	YES												

RoHS COMPLIANT

<b>ENTER DESCRIPTION</b> ELC.NCL.12007.0044 B1 DRWNGSATTI/MARAD 2006/10/10 CHKD/SSUDHIR 2006/10/11 APPR/SSUDHIR 2006/10/16	<b>QUALITY SYMBOLS</b> 	<b>GENERAL TOLERANCES (UNLESS SPECIFIED)</b>		<b>DIMENSION STYLE</b> MM ONLY		<b>SCALE</b> ---	<b>DESIGN UNITS</b> METRIC	<b>THIRD ANGLE PROJECTION</b>	
		4 PLACES ±--- ±--- 3 PLACES ±--- ±--- 2 PLACES ±--- ±--- 1 PLACE ±--- ±---	mm INCH	<b>DRAWN BY</b> SHANKAR	<b>DATE</b> 2006/04/25	<b>TITLE</b> ASSY DIN41612 C/2 FEMALE 48 POS 1.0MM PCB DIA			
		<b>ANGULAR</b> ±---°		<b>CHECKED BY</b> SSUDHIR	<b>DATE</b> 2006/04/25	<b>MATERIAL NO.</b> SD-36501-0001			
		<b>DRAFT WHERE APPLICABLE MUST REMAIN WITHIN DIMENSIONS</b>		<b>APPROVED BY</b> SSUDHIR	<b>DATE</b> 2006/04/25	<b>MOLEX INCORPORATED</b>		<b>DOCUMENT NO.</b> SD-36501-0001	<b>SHEET NO.</b> 2 OF 2