

CAVITA' ADATTA PER CONTATTO JUNIOR TIMER LANCELESS P/N 281822
281823, CON GUARNIZIONE PASSACAVO P/N 182730, OPPURE JUNIOR
POWER TIMER CON GUARNIZIONE PASSACAVO.
(CAVITY SUITABLE FOR JUNIOR TIMER LANCELESS P/N 281822 AND
282823, WITH SINGLE WIRE SEAL P/N 182730, OR JUNIOR POWER
TIMER CONTACT WITH SINGLE WIRE SEAL).

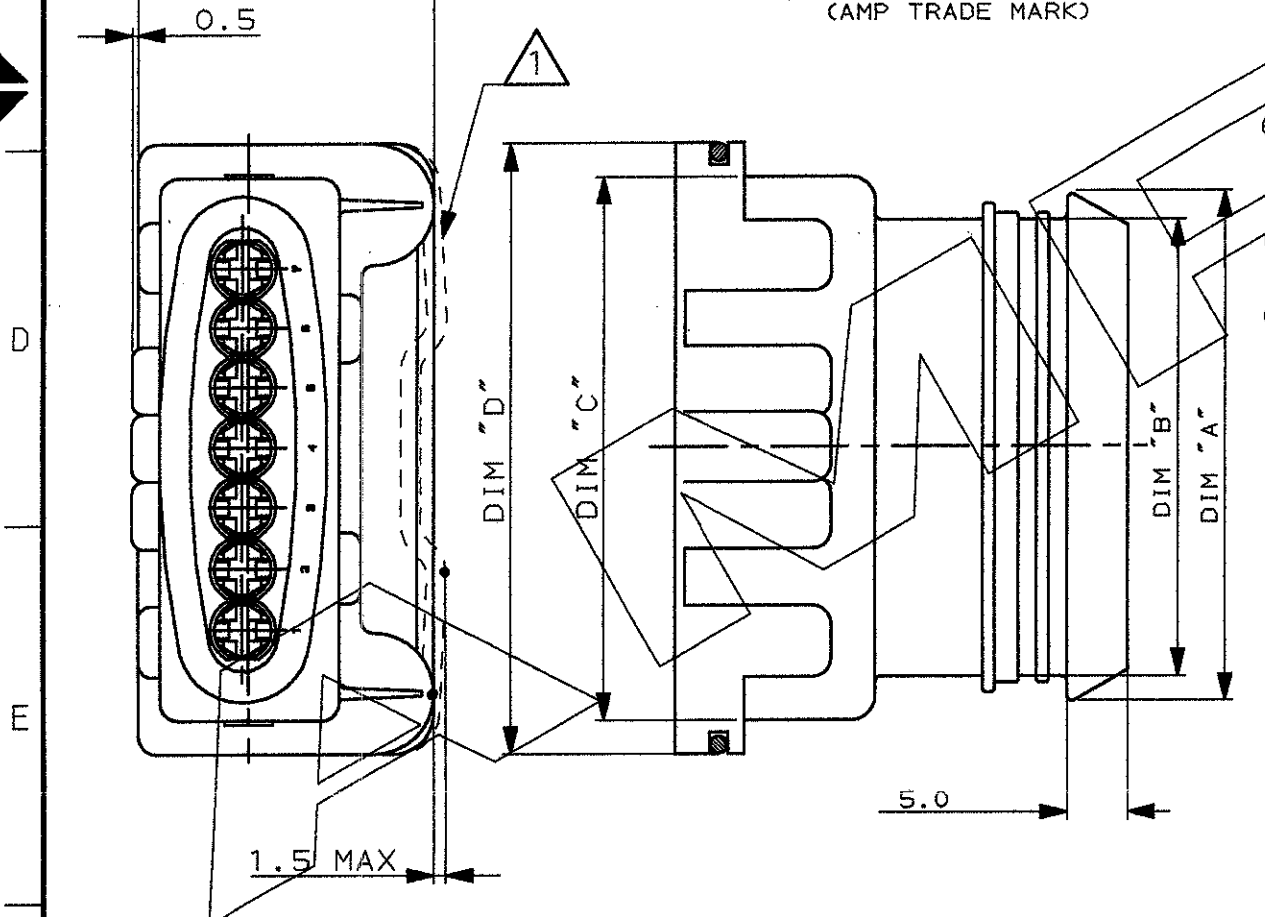
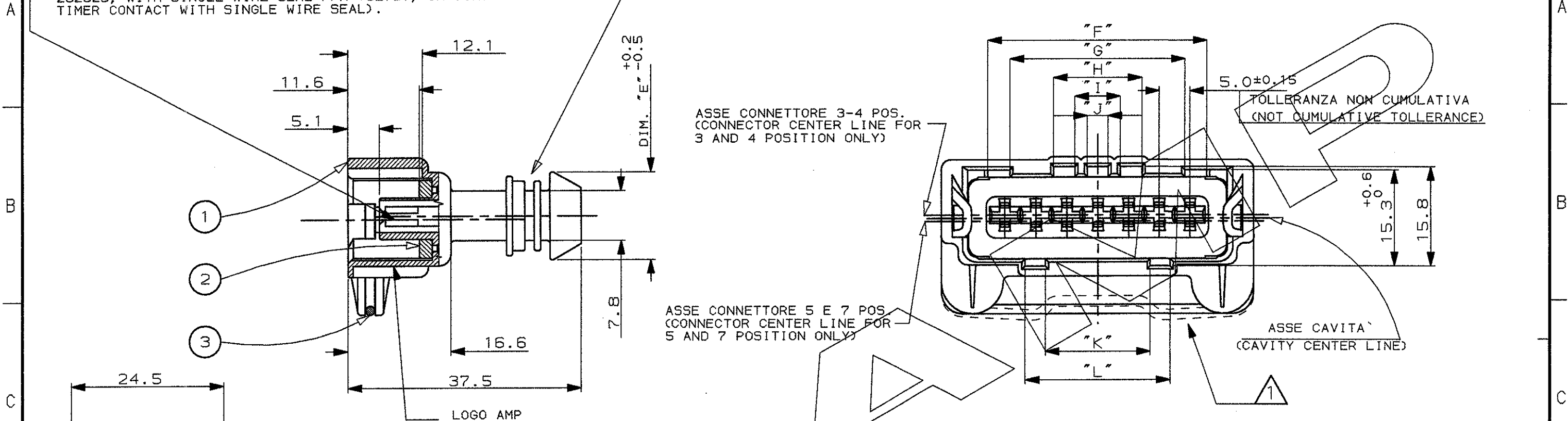
NERVATURE, SOLO SUL 7 VIE
(RIBS, ON 7 POS. ONLY)

ASSE CONNETTORE 3-4 POS.
(CONNECTOR CENTER LINE FOR
3 AND 4 POSITION ONLY)

ASSE CONNETTORE 5 E 7 POS.
(CONNECTOR CENTER LINE FOR
5 AND 7 POSITION ONLY)

SCALA NON IMPEGNATIVA
(DO NOT SCALE)
DIMENSIONI IN mm
(DIMENSIONS IN mm)

METRIC
PROIEZIONE EUROPEA
(EUROPEAN PROJECTION)



7	42.6	37.8	45.0	50.5	14.6	35.5	28.3	//	//	3.4	16.3	23.5	GRIGIO (GREY)	281808-2
7	42.6	37.8	45.0	50.5	14.6	35.5	28.3	//	//	3.4	16.3	23.5	NERO (BLACK)	281808-1
(*) 5	32.0	27.8	35.0	40.5	15	28.5	21.3	//	//	3.4	11.3	18.5	GRIGIO (GREY)	281806-2
(*) 5	32.0	27.8	35.0	40.5	15	28.5	21.3	//	//	3.4	11.3	18.5	NERO (BLACK)	281806-1
(*) 4	28.0	22.8	30.0	35.5	14	//	//	14.3	7.4	//	11.3	18.5	MARRONE (BROWN)	281804-3
(*) 4	28.0	22.8	30.0	35.5	14	//	//	14.3	7.4	//	11.3	18.5	GRIGIO (GREY)	281804-2
(*) 4	28.0	22.8	30.0	35.5	14	//	//	14.3	7.4	//	11.3	18.5	NERO (BLACK)	281804-1
(*) 3	23.0	17.8	25.0	30.5	14	//	//	//	//	3.4	11.3	18.5	GRIGIO (GREY)	281802-2
(*) 3	23.0	17.8	25.0	30.5	14	//	//	//	//	3.4	11.3	18.5	NERO (BLACK)	281802-1
N°VIE (POS.)	A	B	C	D	E	F ^{+0.3} _{-0.1}	G ^{+0.1} _{-0.3}	H ^{+0.3} _{-0.1}	I ^{+0.1} _{-0.3}	J ^{+0.3} _{-0.1}	K ^{+0.1} _{-0.3}	L ^{+0.3} _{-0.1}	COLORE (COLOUR)	PART NUMBER

(*) OBSOLETE

3	///	ACCIAIO INOX (STAINLESS STEEL)	MOLLA (SPRING)
2	NATURALE (CLEAR)	GOMMA SILICONE (SILICONE RUBBER)	GUARNIZIONE (SEALING)
1	VEDI TABELLA (SEE TABLE)	PA 6.6	BLOCCHETTO (HOUSING)
N° (ITEM)	FINITURA / COLORE (FINISH / COLOUR)	MATERIALE (MATERIAL)	DESCRIZIONE (DESCRIPTION)

CUSTOMER DWG. FOR REFERENCE ONLY
DISEGNO PER CLIENTE SOLO PER RIFERIMENTO

THIS DRAWING IS UNPUBLISHED - RELEASE FOR PUBLICATION 19
© COPYRIGHT 19 BY AMP INCORPORATED, HARRISBURG, PA. ALL INTERNATIONAL RIGHT RESERVED. AMP PRODUCTS MAY BE COVERED BY U.S. AND FOREIGN PATENT AND/OR PATENT PENDING

TOLLERANZE: SE NON DIVERSAMENTE SPECIFICATO (TOLERANCES, UNLESS OTHERWISE SPECIFIED)	DIAM. ISOLANTE (INS. DIA. RANGE)	RANGO FILO (WIRE RANGE)	SCALA (SCALE)
± 0.3	///	///	2:1

ANGOLI (ANGLES) ± 2°

DIS. 24 Aprile 87 (DR.) D Agostino S.

DESCRIZIONE (DESCRIPTION) SPLASH PROOF CONNECTOR 3-4-5-7 POSITION ASSEMBLY

1 FORMA ALTERNATIVA MOLLA PER CONNETTORE 5 E 7 VIE
(SPRING ALTERNATIVE DESIGN FOR CONNECTOR 5 AND 7 POSITION)

G ECR-14-003472	MP 24MAR 2014	CONT. (CHK)	LOC. SIZE NUMERO (DWG NO)	REV. (REV.)	FOLGLO (SHEET)
F1 REDRAWN AND REVISED WITH FT00-0080-98	N.P. 12-5 C.T. '98	APP. (APP.)	MASTER	G	DI (OP) 3
REVISIONI (REVISION RECORD)	DIS. DATA (DR) (DATE)		I A3C-281808		

DISTRIBUZIONE (PRINT DIST.)

DEFORMAZIONE MASSIMA 0.05
(MAX WARPAGE 0.05)

DEFORMAZIONE MASSIMA 0.15 NELLA CONDIZIONE DI MASSIMA LARGH.6.9)
(MAX WARPAGE 0.1 ONLY WITH MAX WIDTH 6.9)

SCALA NON IMPEGNATIVA
(DO NOT SCALE)
DIMENSIONI IN mm
(DIMENSIONS IN)

METRIC

PROIEZIONE EUROPEA
(EUROPEAN PROJECTION)

A

B

C

D

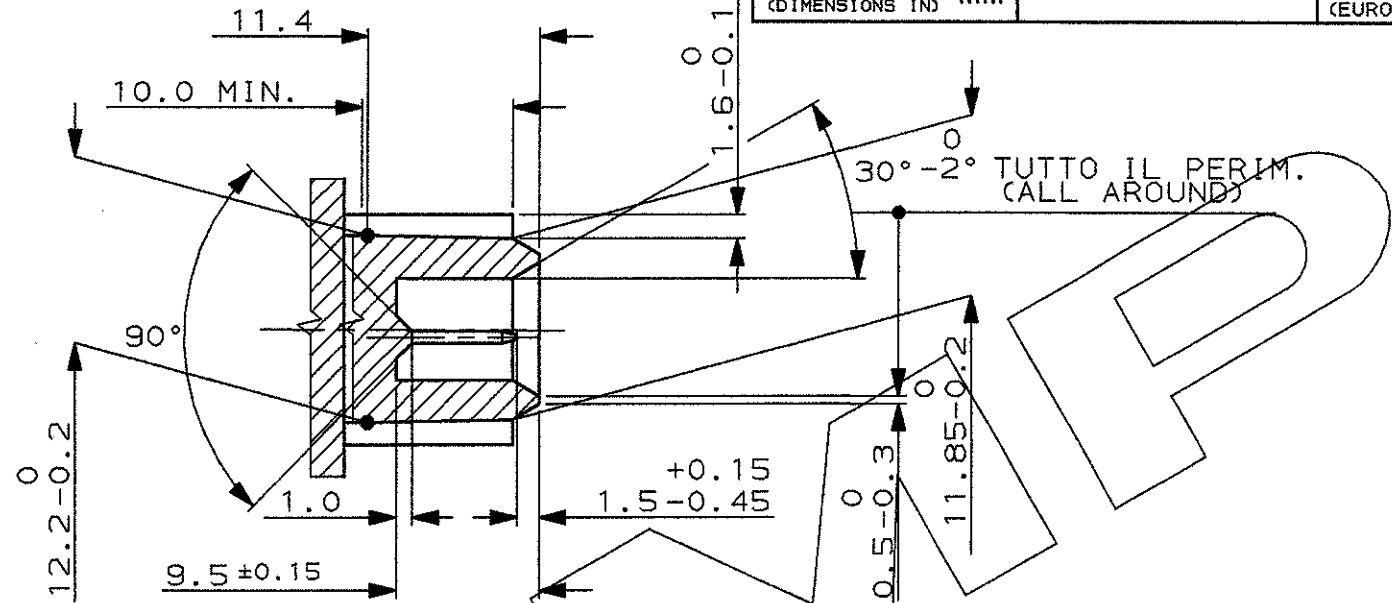
E

ASSE CONNETTORE
CONNECTOR CENTER LINE

ASSE CAVITA'
CAVITY CENTER LINE

VISTA DA 'V' (VIEW FROM 'V')

FLANGIA (FLANGE)



DETTAGLIO DIMENS. TAB
(TAB DIMENSION)
(SCALE 5:1)

FORMA ALTERNATIVA
(ALTERNATIVE DESIGN)

DETTAGLIO X (DETAIL X)
OPZIONALE (OPTIONAL)

4 SFERICO (SPHERICAL)

0.25 +0.05
-0.1

0.8 ± 0.07

SPESSORE UNICO OPPURE 0.4 RIPIEGATO
(SINGLE THK OR 0.4 DOUBLE)

CONNETTORE 3 VIE (3 WAYS CONNECTOR)

FINITURA / COLORE (FINISH / COLOUR)	MATERIALE (MATERIAL)	NUMERO (PART NUMBER)
--	-------------------------	-------------------------

CUSTOMER DWG.
FOR REFERENCE ONLY

DISEGNO PER CLIENTE
SOLO PER RIFERIMENTO

THIS DRAWING IS UNPUBLISHED - RELEASE FOR PUBLICATION 19

© COPYRIGHT 1986 BY AMP INCORPORATED, HARRISBURG, PA. ALL INTERNATIONAL RIGHT RESERVED. AMP PRODUCTS MAY BE COVERED BY U.S. AND FOREIGN PATENT AND/OR PATENT PENDING

TOLLERANZE, SE NON DIVERSAMENTE SPECIFICATO (TOLERANCES, UNLESS OTHERWISE SPECIFIED)	DIAH. ISOLANTE (INS. DIA. RANGE)	RANGO FILO (WIRE RANGE)	SCALA (SCALE)
± 0.3	//	//	//

ANGOLI (ANGLES)	± 2°	STE TE Connectivity	
--------------------	------	----------------------------	--

DIS. (DR.)	DESCRIZIONE (DESCRIPTION)	SPLASH PROOF CONNECTOR 3-4-5-7 POSITION ASS'Y	
---------------	------------------------------	--	--

CONT. (CHK)	LOC.	SIZE	NUMERO (DWG NO)	REV.	FOGLIO (SHEET)
SEE SHEET 1 OF 3	I	A3	C-281808	/	2 OF 3

REV. (REV.)	REVISIONI (REVISION RECORD)	DIS. (DR)	DATA (DATE)
----------------	--------------------------------	--------------	----------------

SEE SHEET 1 OF 3

DISTRIBUZIONE
PRINT DIST.

CONNETTORE 5 E 7 VIE, (5 & 7 WAYS CONNECTOR)

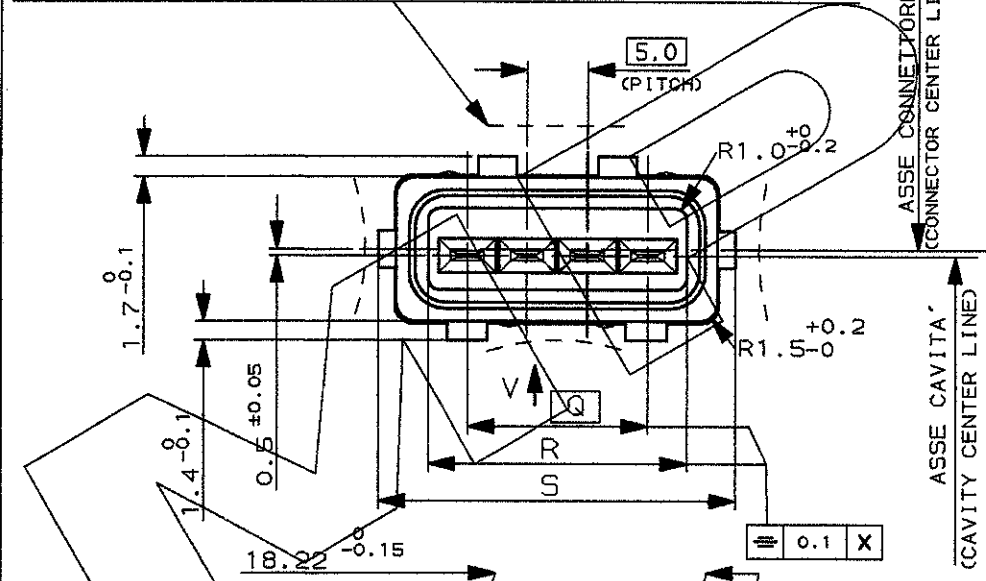
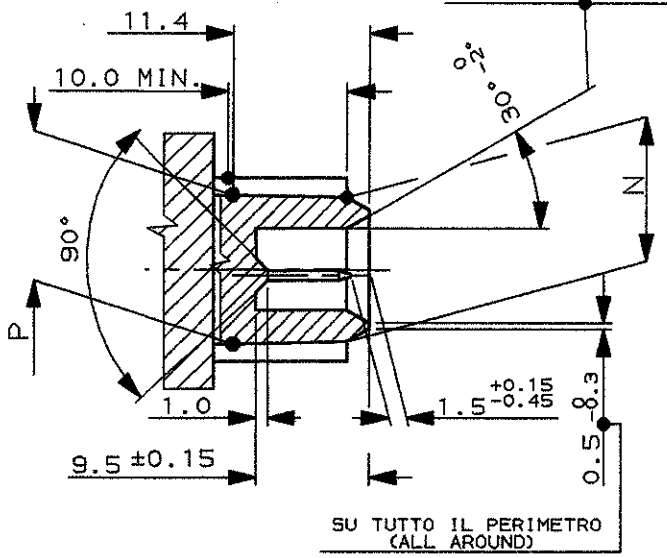
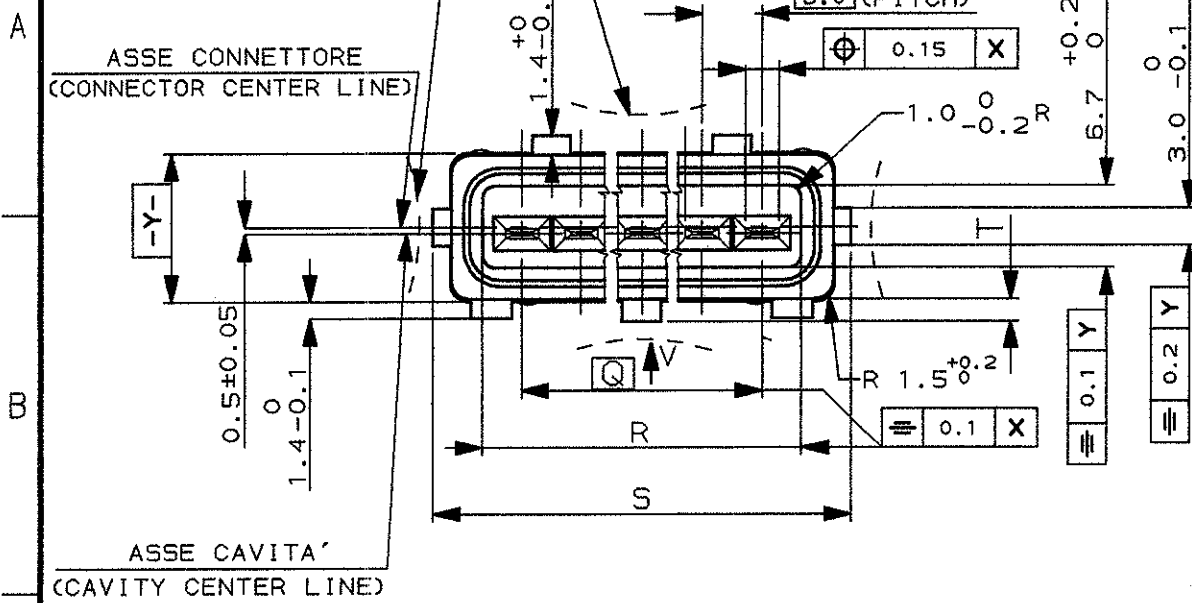
DEFORMAZIONE MASSIMA 0.05
(MAX WARPAGE 0.05)

DEFORMAZIONE MASSIMA 0.15 NELLA CONDIZIONE DI MASSIMA LARGH.6.9)
(MAX WARPAGE 0.1 ONLY WITH MAX WIDTH 6.9)

SU TUTTO IL PERIMETRO
(ALL AROUND)

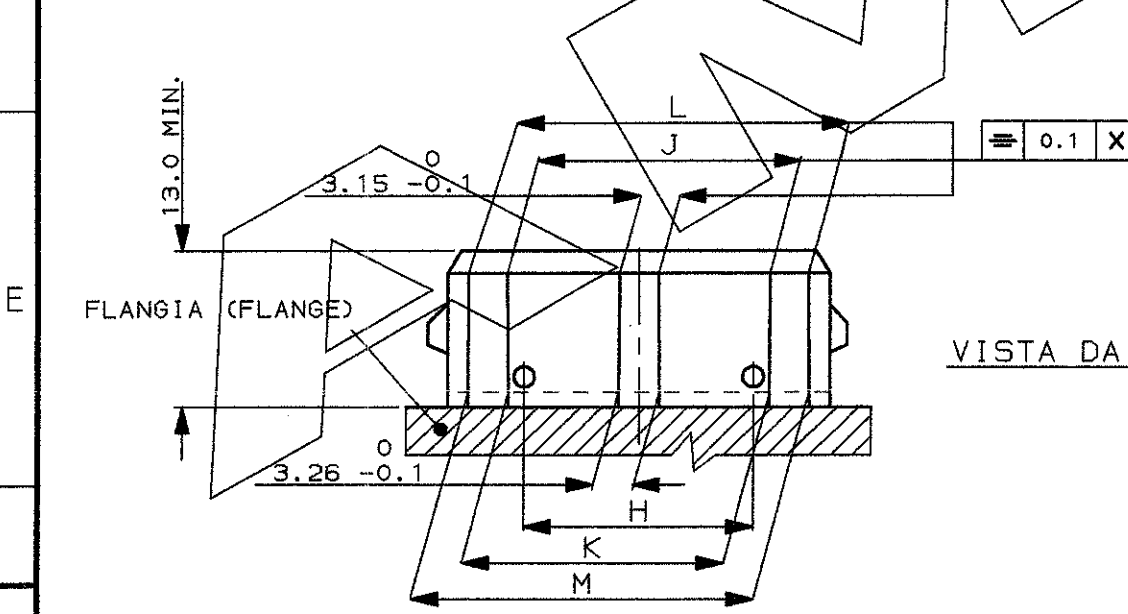
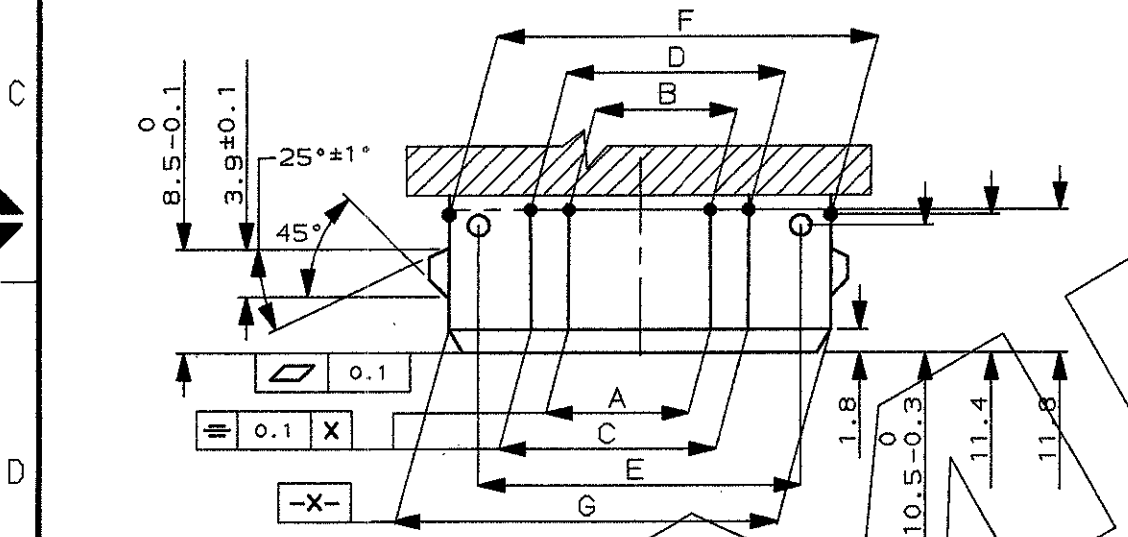
DEFORMAZIONE MASSIMA 0.1 NELLA CONDIZIONE DI MASSIMA LARGH.6.9
(MAX WARPAGE 0.1 ONLY WITH MAX WIDTH 6.9)

SCALA NON IMPEGNATIVA (DO NOT SCALE)
DIMENSIONI IN mm METRIC
PROIEZIONE EUROPEA (EUROPEAN PROJECTION)



VISTA DA "V" (VIEW FROM "V")

CONNETTORE 4 VIE, (4 WAYS CONNECTOR)



VISTA DA "V" (VIEW FROM "V")

PER DIMENSIONE "TAB" VEDERE FOGLIO 2 DI 3.
(FOR "TAB" DIMENSIONS SEE SHEET 2 OF 3)

7	16.85	16.74	23.15	23.26	-0.4 36.8	41.82	41.65	26.0	28.8	28.69	35.2	35.31	11.8	11.97	30.0	±0.2 36.8	44.85	1.85
5	11.85	11.74	18.15	18.26	-0.3 26.8	31.82	31.65	19.0	21.8	21.69	28.2	28.31	11.8	11.97	20.0	±0.2 26.8	34.85	1.75
4	7.95	7.79	13.99	14.1	-0.3 18.0	26.82	26.65	//	//	//	//	//	11.85	12.2	15.0	±0.15 21.8	29.85	//
N°VIE (POS.)	A	B	C	D	E	F	G	H	J	K	L	M	N	P	Q	R	S	T
	+0.1 0	+0.1 0	0 -0.15	0 -0.15		0 -0.15	0 -0.15	0 -0.3	+0.15 0	+0.15 0	0 -0.15	0 -0.15	0 -0.2	0 -0.2		0 -0.2	0 -0.1	

FINITURA / COLORE (FINISH / COLOUR)		MATERIALE (MATERIAL)		NUMERO (PART NUMBER)	
CUSTOMER DWG. FOR REFERENCE ONLY		DISEGNO PER CLIENTE SOLO PER RIFERIMENTO		19	
THIS DRAWING IS UNPUBLISHED		RELEASE FOR PUBLICATION		19	
©COPYRIGHT 1986 BY AMP INCORPORATED, HARRISBURG, PA. ALL INTERNATIONAL RIGHT RESERVED. AMP PRODUCTS MAY BE COVERED BY U.S. AND FOREIGN PATENT AND/OR PATENT PENDING		DIAM. ISOLANTE (INS. DIA. RANGE)		RANGO FILO (WIRE RANGE)	
TOLLERANZE, SE NON DIVERSAMENTE SPECIFICATO (TOLERANCES, UNLESS OTHERWISE SPECIFIED)		//		//	
± 0.3		//		//	
ANGOLI (ANGLES)		± 2°		//	
DIS. (DR.)		DESCRIZIONE (DESCRIPTION)		SPLASH PROOF CONNECTOR	
CONT. (CHK)		3-4-5-7 POSITION ASS'Y			
APP. (APP.)		LOC. SIZE NUMERO (DWG NO)		REV. FOGLIO (SHEET)	
SEE SHEET 1 OF 3		IA3C-281808 / 3		DI 3	
REVISIONI (REVISION RECORD)		DATA (DATE)			



PRINTED IN U.S.A.