

NBC-M12MSD/ 1,0-93C/M12FSD - Network cable



1038761

<https://www.phoenixcontact.com/us/products/1038761>

Please be informed that the data shown in this PDF document is generated from our online catalog. Please find the complete data in the user documentation. Our general terms of use for downloads are valid.



Network cable, PROFINET CAT5 (100 Mbps), EtherCAT® CAT5 (100 Mbps), 4-position, shielded (Advanced Shielding Technology), Plug straight M12, coding: D / IP67, on Socket straight M12, coding: D / IP67, cable length: 1 m

Commercial data

| | |
|--------------------------------------|--------------------------------|
| Item number | 1038761 |
| Packing unit | 1 pc |
| Minimum order quantity | 1 pc |
| Note | Made to order (non-returnable) |
| Sales key | BF04 |
| Product key | BF1CJN |
| GTIN | 4055626592435 |
| Weight per piece (including packing) | 104 g |
| Weight per piece (excluding packing) | 97.2 g |
| Customs tariff number | 85444290 |
| Country of origin | PL |

1038761

<https://www.phoenixcontact.com/us/products/1038761>

Technical data

Notes

| | |
|---------|--|
| General | This product corresponds to the PROFINET Cabling and Interconnection Technology Guideline for PROFINET regulations, version 2.00, order no: 2.252, Chapter 10.1 Cord Sets for Balanced Cabling |
| General | Further products with variable cable type and variable cable length can be found in the accessories section |

Product properties

| | |
|----------------------|-------------------------|
| Product type | Data cable preassembled |
| Sensor type | PROFINET |
| Number of positions | 4 |
| Application | Standard |
| No. of cable outlets | 1 |
| Shielded | yes |
| Coding | D |

Insulation characteristics

| | |
|----------------------|----|
| Overvoltage category | II |
| Degree of pollution | 3 |

Interfaces

| | |
|----------------------|---|
| Bus system | PROFINET |
| Signal type/category | PROFINET CAT5 (IEC 11801), 100 Mbps EtherCAT [®] CAT5 (IEC 11801), 100 Mbps |

Signaling

| | |
|------------------------|----|
| Status display | No |
| Status display present | No |

Electrical properties

| | |
|---|-----------------------|
| Nominal voltage U_N | 48 V AC |
| | 60 V DC |
| Nominal current I_N | 4 A |
| Transmission medium | Copper |
| Transmission characteristics (category) | CAT5 (IEC 11801:2002) |

Material specifications

| | |
|--|----|
| Flammability rating according to UL 94 | V0 |
|--|----|

Connector

Connection 1

| | |
|------|--------------------------|
| Type | Plug straight M12 / IP67 |
|------|--------------------------|

NBC-M12MSD/ 1,0-93C/M12FSD - Network cable



1038761

<https://www.phoenixcontact.com/us/products/1038761>

| | |
|---------------------------------|--|
| Number of positions | 4 |
| Coding type | D (Data) |
| Handle color | black |
| Material | CuSn (Contact) |
| | Ni/Au (Contact surface) |
| | PA (Contact carriers) |
| | TPU, hardly inflammable, self-extinguishing (Grip) |
| | Zinc die-cast, nickel-plated (Screw connection) |
| | FKM (Seal) |
| Insertion/withdrawal cycles | ≥ 100 |
| Contact resistance | ≤ 5 mΩ |
| Insulation resistance | ≥ 100 MΩ |
| Tightening torque | 0.4 Nm |
| Degree of protection | IP67 |
| Ambient temperature (operation) | -25 °C ... 90 °C |
| Number of positions | 4 |
| Insertion/withdrawal cycles | 100 |

Connection 2

| | |
|---------------------------------|--|
| Type | Socket straight M12 / IP67 |
| Number of positions | 4 |
| Coding type | D (Data) |
| Handle color | black |
| Material | CuSn (Contact) |
| | Ni/Au (Contact surface) |
| | PA (Contact carriers) |
| | TPU, hardly inflammable, self-extinguishing (Grip) |
| | Zinc die-cast, nickel-plated (Screw connection) |
| | FKM (Seal) |
| Insertion/withdrawal cycles | ≥ 100 |
| Contact resistance | ≤ 5 mΩ |
| Insulation resistance | ≥ 100 MΩ |
| Tightening torque | 0.4 Nm |
| Ambient temperature (operation) | -25 °C ... 90 °C |
| Number of positions | 4 |
| Degree of protection | IP67 |

Cable/line

| | |
|--------------|-----|
| Cable length | 1 m |
|--------------|-----|


PROFINET drag chain CAT5 [93C]

NBC-M12MSD/ 1,0-93C/M12FSD - Network cable



1038761

<https://www.phoenixcontact.com/us/products/1038761>

| | |
|---|--|
| Dimensional drawing |  |
| Cable weight | 61 kg/km |
| Number of positions | 4 |
| Shielded | yes |
| Cable type | PROFINET drag chain CAT5 [93C] |
| Conductor structure | 1x4xAWG22/7, SF/TQ |
| Signal runtime | 5.3 ns/m |
| Signal speed | 0.66 c |
| Conductor structure signal line | 7x 0.25 mm |
| AWG signal line | 22 |
| Conductor cross section | 4x 0.34 mm ² |
| Wire diameter incl. insulation | 1.5 mm |
| External cable diameter | 6.5 mm ±0.2 mm |
| Outer sheath, material | PUR |
| External sheath, color | green RAL 6018 |
| Conductor material | Tin-plated Cu litz wires |
| Material wire insulation | PE |
| Single wire, color | white, yellow, blue, orange |
| Thickness, outer sheath | approx. 0.9 mm |
| Overall twist | Star quad |
| Optical shield covering | 85 % |
| Insulation resistance | ≥ 500 MΩ*km |
| Coupling resistance | ≤ 20.00 mΩ/m (at 10 MHz) |
| Loop resistance | ≤ 120.00 Ω/km |
| Wave impedance | 100 Ω ±15 Ω (at 1 ... 100 MHz) |
| Nominal voltage, cable | 600 V (UL rating) |
| Test voltage Core/Core | 2000 V (50 Hz, 1 min.) |
| Test voltage Core/Shield | 2000 V (50 Hz, 1 min.) |
| Minimum bending radius, fixed installation | 5 x D |
| Minimum bending radius, flexible installation | 7.5 x D |
| Max. bending cycles | 3000000 |
| Tensile strength | ≤ 150 N |
| Torsion force | ± 30 °/m |
| Near end crosstalk attenuation (NEXT) | 80 dB (with 1 MHz) 76 dB (at 4 MHz) 70 dB (at 10 MHz) 65 dB (at 16 MHz) |

1038761

<https://www.phoenixcontact.com/us/products/1038761>

| | |
|------------------------------------|---|
| | 63 dB (at 20 MHz) |
| | 60 dB (at 31.25 MHz) |
| | 55 dB (at 62.5 MHz) |
| | 50 dB (at 100 MHz) |
| Shield attenuation | 2.1 dB (with 1 MHz) |
| | 4 dB (at 4 MHz) |
| | 6.3 dB (at 10 MHz) |
| | 8 dB (at 16 MHz) |
| | 9 dB (at 20 MHz) |
| | 11.4 dB (at 31.25 MHz) |
| | 16.5 dB (at 62.5 MHz) |
| | 21.3 dB (at 100 MHz) |
| Halogen-free | yes |
| Flame resistance | according to IEC 60332-1-2 |
| Resistance to oil | in accordance with DIN EN 60811-2-1 |
| Other resistance | UV resistant |
| Special properties | Electrical properties in accordance with EN 50288-2-2 |
| Ambient temperature (operation) | -40 °C ... 70 °C (cable, fixed installation) |
| | -40 °C ... 70 °C (Cable, flexible installation) |
| Ambient temperature (installation) | -20 °C ... 60 °C |

Environmental and real-life conditions

Ambient conditions

| | |
|----------------------|------|
| Degree of protection | IP65 |
| | IP67 |

Standards and regulations

M12

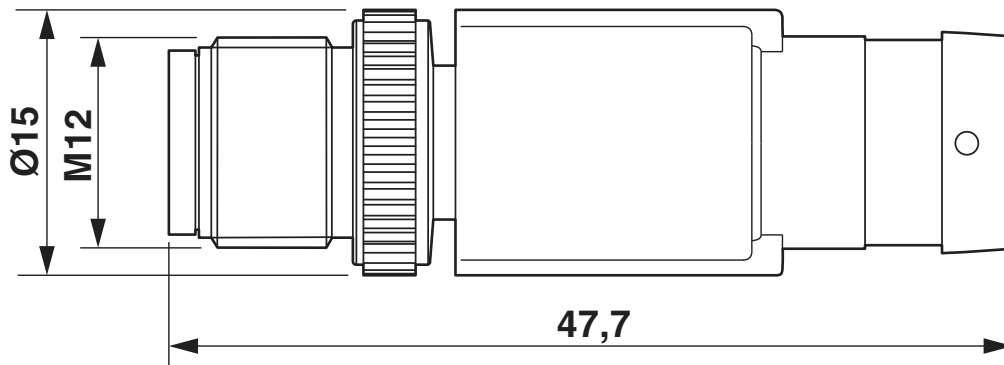
| | |
|--------------------------|-----------------|
| Standard designation | M12 connector |
| Standards/specifications | IEC 61076-2-101 |

1038761

<https://www.phoenixcontact.com/us/products/1038761>

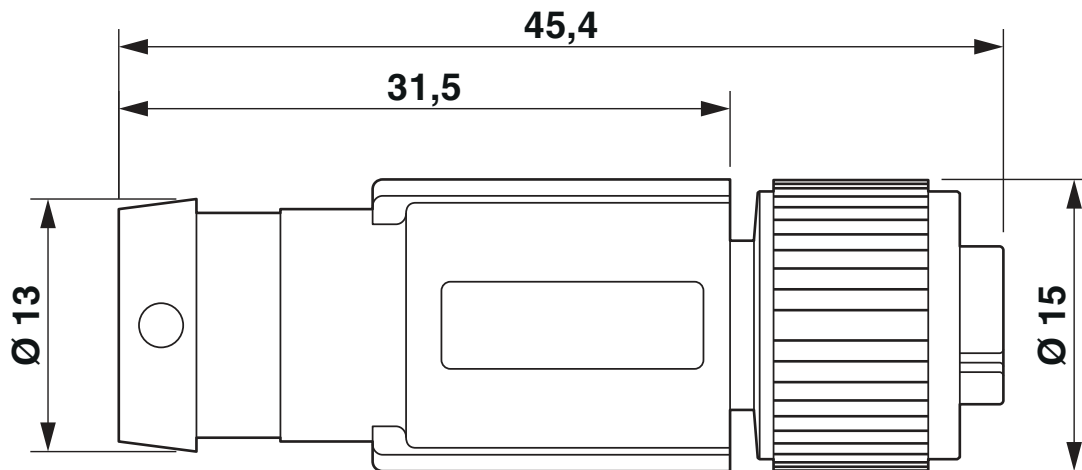
Drawings

Dimensional drawing



Plug, M12 x 1, straight, shielded

Dimensional drawing

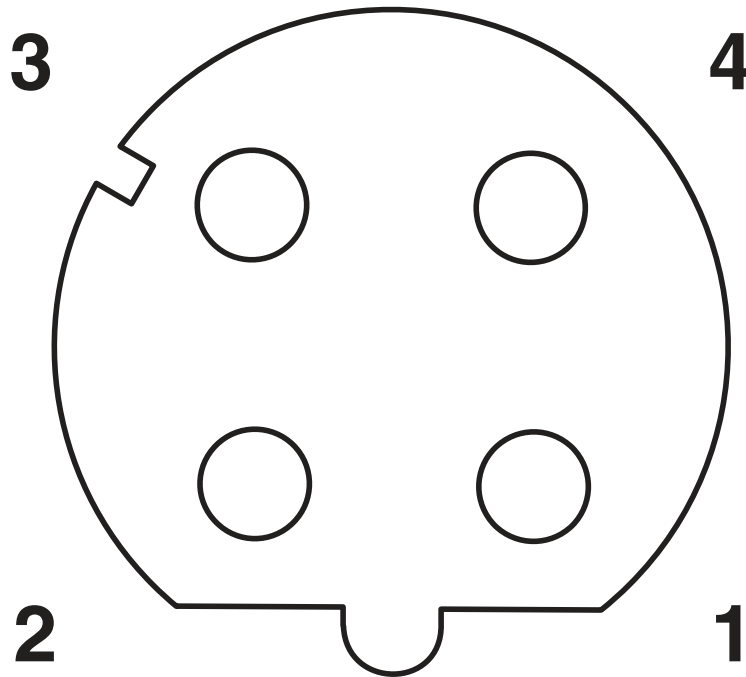


M12 x 1 socket, straight, shielded

1038761

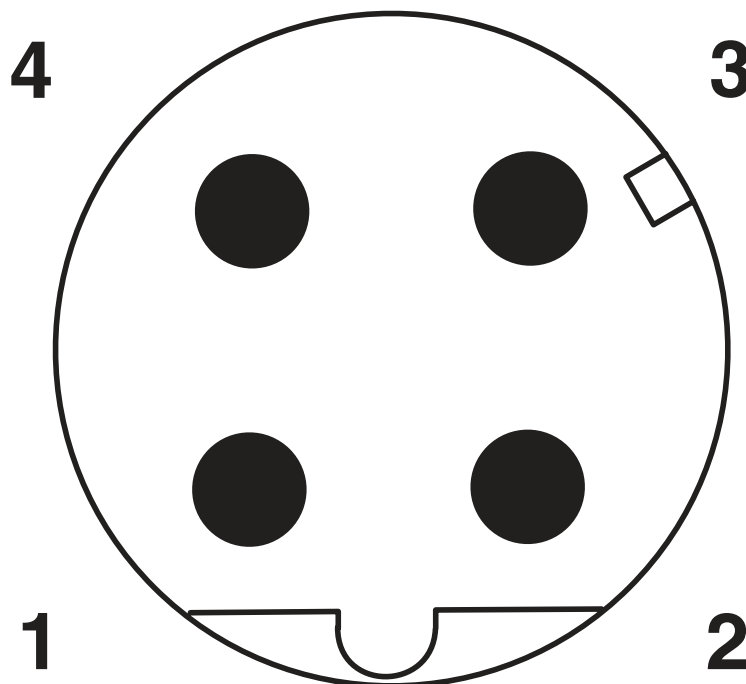
<https://www.phoenixcontact.com/us/products/1038761>

Schematic diagram



Pin assignment M12 socket, 4-pos., D-coded, female side

Schematic diagram



Pin assignment M12 male connector, 4-pos., D-coded, male side

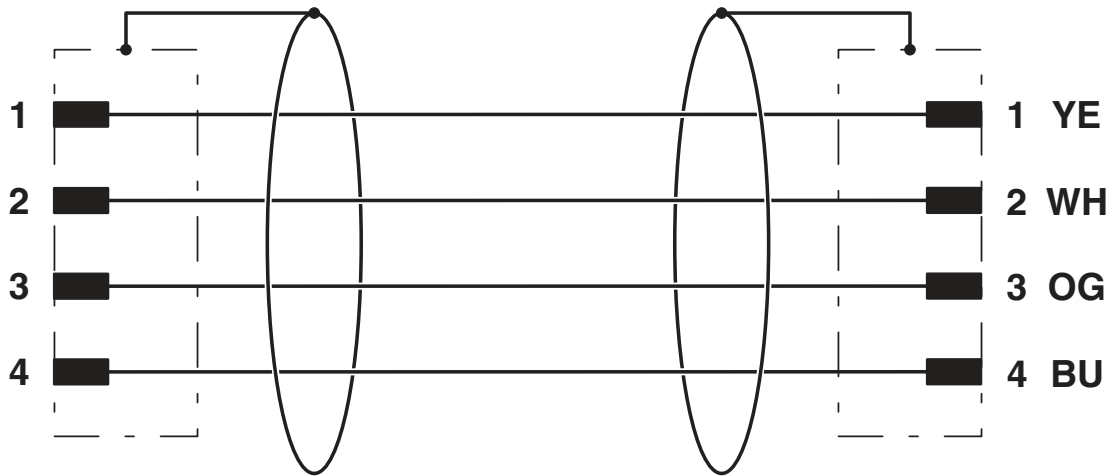
NBC-M12MSD/ 1,0-93C/M12FSD - Network cable



1038761

<https://www.phoenixcontact.com/us/products/1038761>

Circuit diagram



NBC-M12MSD/ 1,0-93C/M12FSD - Network cable



1038761

<https://www.phoenixcontact.com/us/products/1038761>

Approvals

🔗 To download certificates, visit the product detail page: <https://www.phoenixcontact.com/us/products/1038761>



EAC-RoHS

Approval ID: RU D-DE.HB35.B.00385

NBC-M12MSD/ 1,0-93C/M12FSD - Network cable



1038761

<https://www.phoenixcontact.com/us/products/1038761>

Classifications

ECLASS

| | |
|-------------|----------|
| ECLASS-11.0 | 27060307 |
| ECLASS-12.0 | 27060307 |
| ECLASS-13.0 | 27060307 |

ETIM

| | |
|----------|----------|
| ETIM 8.0 | EC001855 |
|----------|----------|

UNSPSC

| | |
|-------------|----------|
| UNSPSC 21.0 | 26121600 |
|-------------|----------|

NBC-M12MSD/ 1,0-93C/M12FSD - Network cable



1038761

<https://www.phoenixcontact.com/us/products/1038761>

Environmental product compliance

| | |
|------------|---|
| China RoHS | Environmentally friendly use period: unlimited = EFUP-e |
| | No hazardous substances above threshold values |

NBC-M12MSD/ 1,0-93C/M12FSD - Network cable



1038761

<https://www.phoenixcontact.com/us/products/1038761>

Accessories

NBC-MSD-MSD SCO-PN/.../... - Network cable

1408634

<https://www.phoenixcontact.com/us/products/1408634>



Network cable, PROFINET CAT5 (100 Mbps), EtherCAT® CAT5 (100 Mbps), 4-position, Variable cable type, shielded, Plug straight M12, coding: D SPEEDCON / IP67, on Plug straight M12, coding: D SPEEDCON / IP67, cable length: Free input (0.2 ... 40.0 m)

NBC-MSD-MRD SCO-PN/.../... - Network cable

1408625

<https://www.phoenixcontact.com/us/products/1408625>



Network cable, PROFINET CAT5 (100 Mbps), EtherCAT® CAT5 (100 Mbps), 4-position, Variable cable type, shielded, Plug straight M12, coding: D SPEEDCON / IP67, on Plug angled M12, coding: D SPEEDCON / IP67, cable length: Free input (0.2 ... 40.0 m)

NBC-M12MSD/ 1,0-93C/M12FSD - Network cable

1038761

<https://www.phoenixcontact.com/us/products/1038761>



NBC-MRD-MRD SCO-PN/.../... - Network cable

1408624

<https://www.phoenixcontact.com/us/products/1408624>



Network cable, PROFINET CAT5 (100 Mbps), EtherCAT[®] CAT5 (100 Mbps), 4-position, Variable cable type, shielded, Plug angled M12, coding: D SPEEDCON / IP67, on Plug angled M12, coding: D SPEEDCON / IP67, cable length: Free input (0.2 ... 40.0 m)

NBC-MSD-FSD SCO-PN/.../... - Network cable

1408617

<https://www.phoenixcontact.com/us/products/1408617>



Network cable, PROFINET CAT5 (100 Mbps), EtherCAT[®] CAT5 (100 Mbps), 4-position, Variable cable type, shielded, Plug straight M12, coding: D SPEEDCON / IP67, on Socket straight M12, coding: D SPEEDCON / IP67, cable length: Free input (0.2 ... 40.0 m)

NBC-M12MSD/ 1,0-93C/M12FSD - Network cable

1038761

<https://www.phoenixcontact.com/us/products/1038761>



NBC-MSD-FRD SCO-PN/.../... - Network cable

1408608

<https://www.phoenixcontact.com/us/products/1408608>



Network cable, PROFINET CAT5 (100 Mbps), EtherCAT[®] CAT5 (100 Mbps), 4-position, Variable cable type, shielded, Plug straight M12, coding: D SPEEDCON / IP67, on Socket angled M12, coding: D SPEEDCON / IP67, cable length: Free input (0.2 ... 40.0 m)

NBC-MRD-FSD SCO-PN/.../... - Network cable

1408616

<https://www.phoenixcontact.com/us/products/1408616>



Network cable, PROFINET CAT5 (100 Mbps), EtherCAT[®] CAT5 (100 Mbps), 4-position, Variable cable type, shielded, Plug angled M12, coding: D SPEEDCON / IP67, on Socket straight M12, coding: D SPEEDCON / IP67, cable length: Free input (0.2 ... 40.0 m)

NBC-M12MSD/ 1,0-93C/M12FSD - Network cable

1038761

<https://www.phoenixcontact.com/us/products/1038761>



NBC-MRD-FRD SCO-PN/.../... - Network cable

1408607

<https://www.phoenixcontact.com/us/products/1408607>



Network cable, PROFINET CAT5 (100 Mbps), EtherCAT[®] CAT5 (100 Mbps), 4-position, Variable cable type, shielded, Plug angled M12, coding: D SPEEDCON / IP67, on Socket angled M12, coding: D SPEEDCON / IP67, cable length: Free input (0.2 ... 40.0 m)

TSD 04 SAC - Torque screwdriver

1208429

<https://www.phoenixcontact.com/us/products/1208429>



Torque screwdriver, with preset torque of 0.4 Nm and 4 mm hexagonal drive for M12 connectors

NBC-M12MSD/ 1,0-93C/M12FSD - Network cable

1038761

<https://www.phoenixcontact.com/us/products/1038761>



TSD-M 1,2NM - Torque screwdriver

1212224

<https://www.phoenixcontact.com/us/products/1212224>



Torque screw driver, accuracy as per EN ISO 6789 standard, adjustable from 0.3 - 1.2 Nm

TSD-M SAC-BIT ADAPTER - Adapter insert

1212600

<https://www.phoenixcontact.com/us/products/1212600>



Adapter bit for TSD-M...torque tools, E6.3-1/4" drive with 4 mm hexagon to accommodate SAC bits

NBC-M12MSD/ 1,0-93C/M12FSD - Network cable



1038761

<https://www.phoenixcontact.com/us/products/1038761>

SAC BIT M12-D15 - Tool

1208432

<https://www.phoenixcontact.com/us/products/1208432>



Nut for assembling sensor/actuator cables with M12 connector and M12 connectors for assembly, with a knurl diameter of 15 mm, for 4 mm hexagonal drive

PROT-M12 FS-PA-CHAIN - Sealing cap

1430873

<https://www.phoenixcontact.com/us/products/1430873>



M12 sealing cap made of plastic with fixing band, for sensor cables, for free M12 plugs

NBC-M12MSD/ 1,0-93C/M12FSD - Network cable



1038761

<https://www.phoenixcontact.com/us/products/1038761>

SAC-M12-EXCLIP-M - Locking clip

1558988

<https://www.phoenixcontact.com/us/products/1558988>



Locking clip for the pin side of sensor/actuator cables with M12 connector and M12 connectors for assembly, for knurl diameter: 15 mm or for Allen key with a wrench size of 14 mm, prevents the disconnection of plug-in connections without tools

PROT-M12 MS-PA-CHAIN - Screw plug

1430899

<https://www.phoenixcontact.com/us/products/1430899>

M12 sealing cap with fixing band, for sensor cables, for free M12 sockets



NBC-M12MSD/ 1,0-93C/M12FSD - Network cable



1038761

<https://www.phoenixcontact.com/us/products/1038761>

SAC-M12-EXCLIP-F - Locking clip

1558991

<https://www.phoenixcontact.com/us/products/1558991>

Locking clip for the socket side of sensor/actuator cables with M12 connector and M12 connectors for assembly, for knurl diameter: 15 mm or for Allen key with a wrench size of 14 mm, prevents the disconnection of plug-in connections without tools



Phoenix Contact 2023 © - all rights reserved

<https://www.phoenixcontact.com>

Phoenix Contact USA
586 Fulling Mill Road
Middletown, PA 17057, United States
(+717) 944-1300
info@phoenixcon.com